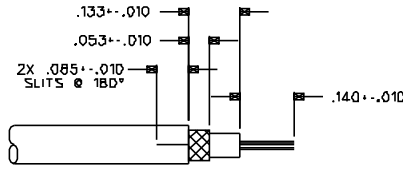


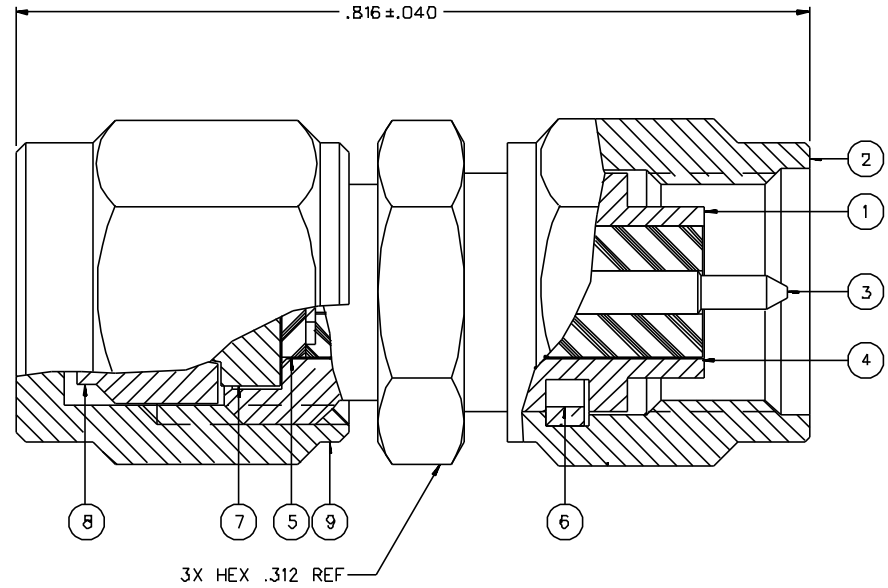
PART NUMBER	ITEM ① BODY	ITEM ② INTERFACE NUT	ITEM ③ CONTACT	ITEM ④ INSULATOR	ITEM ⑤ INSULATOR	ITEM ⑥ RETENTION SPRING	ITEM ⑦ CLAMP STEM	ITEM ⑧ CLAMP CONE
142-0203-011	BRASS GOLD PL .00001 MIN OVER NICKEL PL .00005 MIN OVER COPPER PL .00005 MIN	BRASS GOLD PL .00001 MIN OVER NICKEL PL .00005 MIN OVER COPPER PL .00005 MIN	BRASS GOLD PL .00003 MIN OVER NICKEL PL .00005 MIN OVER COPPER PL .00005 MIN	TEFLON	TEFZEL	BERYLLIUM COPPER UNPLATED	BRASS GOLD PL .00001 MIN OVER NICKEL PL .00005 MIN OVER COPPER PL .00005 MIN	BRASS GOLD PL .00001 MIN OVER NICKEL PL .00005 MIN OVER COPPER PL .00005 MIN
142-0203-016	BRASS NICKEL PL .0001 MIN OVER COPPER PL .00005 MIN	BRASS NICKEL PL .0001 MIN OVER COPPER PL .00005 MIN	BRASS GOLD PL .00003 MIN OVER NICKEL PL .00005 MIN OVER COPPER PL .00005 MIN	TEFLON	TEFZEL	BERYLLIUM COPPER UNPLATED	BRASS NICKEL PL .0001 MIN OVER COPPER PL .00005 MIN	BRASS NICKEL PL .0001 MIN OVER COPPER PL .00005 MIN

PART NUMBER	ITEM ⑨ CLAMP NUT
142-0203-011	BRASS GOLD PL .00001 MIN OVER NICKEL PL .00005 MIN OVER COPPER PL .00005 MIN
142-0203-016	BRASS NICKEL PL .0001 MIN OVER COPPER PL .00005 MIN

DRAWING NO. C - 142-0203-011/020			
0 REVISIONS			
ENGINEERING RELEASE			
I	3-3-91	R H	J S 3-26-91 ECO 40284



CABLE STRIP DIMENSIONS  
4:1



NOTES:

- SPECIFICATIONS:
  - IMPEDANCE: 50 OHMS
  - FREQUENCY RANGE: 0-12.4 GHz
  - VSWR: 1.15±.02 F MAX (F IN GHz)
  - WORKING VOLTAGE: 250 VRMS MAX AT SEA LEVEL
  - DIELECTRIC WITHSTANDING VOLTAGE: 750 VRMS MIN AT SEA LEVEL
  - INSULATION RESISTANCE: 5000 MEGOHM MIN
  - CONTACT RESISTANCE:
    - CENTER CONTACT - INITIAL 3.0 MILLIOHM MAX, AFTER ENVIRONMENTAL 4.0 MILLIOHM MAX
    - OUTER CONDUCTOR - INITIAL 2.0 MILLIOHM MAX
    - AFTER ENVIRONMENTAL NOT APPLICABLE
    - BODY TO CABLE - 0.5 MILLIOHM MAX (GOLD PLATED)
    - 5.0 MILLIOHM MAX (NICKEL PLATED)
  - CORONA LEVEL: 190 VOLTS MIN AT 70,000 FEET
  - INSERTION LOSS: .06√ F dB MAX IF IN GHz) AT 6 GHz
  - RF LEAKAGE: -60 DB MIN AT 2.5 GHz
  - RF HIGH POTENTIAL WITHSTANDING VOLTAGE: 500 VRMS MIN AT 4 AND 7 MHZ
- MECHANICAL:
  - ENGAGE/DISENGAGE TORQUE: 2 INCH-POUNDS MAX
  - MATING TORQUE: 7-10 INCH POUNDS
  - COUPLING PROOF TORQUE: 15 INCH-POUNDS MIN
  - COUPLING NUT RETENTION: 6D LBS MIN
  - CONTACT RETENTION: 6 LBS MIN
  - CABLE ACCEPTABILITY: RG 188/U, RG 316/U, RG 174/U, RG 181/U, RG 179/U, RG 187/U
  - CABLE HEX CRIMP SIZE: NOT APPLICABLE
  - CABLE RETENTION: 20 LBS MIN AXIAL FORCE
  - DURABILITY: 500 CYCLES MIN
- ENVIRONMENTAL:
  - (MEETS OR EXCEEDS THE APPLICABLE PARAGRAPH OF MIL-C-39012)
  - THERMAL SHOCK: MIL-STD-202, METHOD 107, CONDITION B, EXCEPT -85 DEG C HIGH TEMP
  - OPERATING TEMPERATURE: -65 DEG C TO 165 DEG C
  - CORROSION: MIL-STD-202, METHOD 101, CONDITION B
  - SHOCK: MIL-STD-202, METHOD 213, CONDITION I
  - VIBRATION: ML-STD-202, METHOD 204, CONDITION D
  - MOISTURE RESISTANCE: MIL-STD-202, METHOD 106

CUSTOMER DRAWING

THIS DRAWING TO BE INTERPRETED PER ANSI Y 14.5M - 1982

"μSTATION"

COMPANY CONFIDENTIAL

TOLERANCE UNLESS OTHERWISE SPECIFIED	DRAWN BY <b>EJ</b>	DATE 8-7-90		
DECIMALS .XX	CHECKED BY	DATE	TITLE PLUG ASSEMBLY, STRAIGHT CABLED CLAMP, SMA, RG 316	
.XXX	APPROVED BY TAK	DATE 3-21-91	CODE NO.	DRAWING NO. C - 142-0203-011/020
MATL	APPROVED BY RJB	DATE 3-21-91	SCALE 10:1	U/W INCH SHEET 2 OF 2
FINISH	RELEASE DATE 3-26-91			

Cinch Connectivity Solutions  
299 Johnson Ave. Ste. 100  
Worcester, MA 01605  
1-800-247-8256