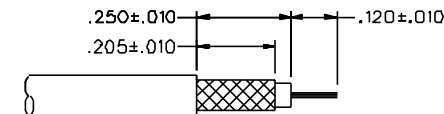
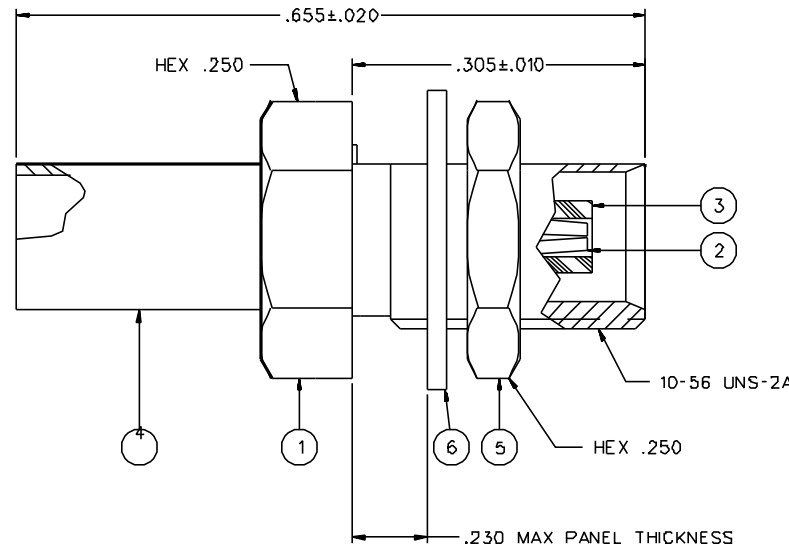
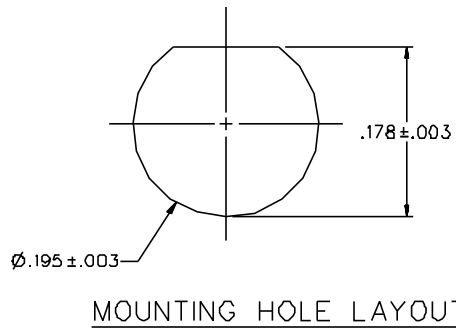


PART NUMBER	ITEM ① BODY	ITEM ② CONTACT	ITEM ③ INSULATOR	ITEM ④ CRIMP SLEEVE	ITEM ⑤ NUT	ITEM ⑥ WASHER
133-3303-401	BRASS GOLD PL .00001 MIN OVER NICKEL PL .00005 MIN OVER COPPER PL .00005 MIN	BERYLLIUM COPPER GOLD PL .00003 MIN OVER NICKEL PL .00005 MIN OVER COPPER PL .00005 MIN	TEFLON	COPPER GOLD PL .00001 MIN OVER NICKEL PL .00005 MIN OVER COPPER PL .00005 MIN	BRASS GOLD PL .00001 MIN OVER NICKEL PL .00005 MIN OVER COPPER PL .00005 MIN	PHOSPHOR BRONZE GOLD PL .00001 MIN OVER NICKEL PL .00005 MIN OVER COPPER PL .00005 MIN
131-3303-406	BRASS NICKEL PL .0001 MIN OVER COPPER PL .00005 MIN	BERYLLIUM COPPER GOLD PL .00003 MIN OVER NICKEL PL .00005 MIN OVER COPPER PL .00005 MIN	TEFLON	COPPER NICKEL PL .0001 MIN OVER COPPER PL .00005 MIN	BRASS NICKEL PL .0001 MIN OVER COPPER PL .00005 MIN	PHOSPHOR BRONZE NICKEL PL .0001 MIN OVER COPPER PL .00005 MIN

DRAWING NO. C - 133-3303-401/410	
0	REVISIONS
ENGINEERING RELEASE	
1	11-15-95 R H [] [] [] [] 1-5-96 ECN 43784
ADDED: .23D MAX PANEL THICKNESS	
1a	4-1-96 R H [] [] [] [] ECN 44004
VERSION UPDATE	
1b	3-23-98 R H [] [] [] [] ECN 44921
5.6 LBS MAX ENGAGE WAS 3.4, 1.0/8.0 DISENGAGE WAS 2.25/4.5, -55 DB RF LEAK WAS -70, 2.3 LBS CONTACT RETENTION WAS 4.	
* REVISION NUMBER FOLLOWED BY AN ALPHA * * CHARACTER INDICATES DRAWING CLASS * * CAUTION ON PART NUMBER ADDITION ONLY *	
1c	12-19-00 R H [] [] [] [] ECN 47529



CABLE STRIP DIMENSIONS
4:1

CUSTOMER DRAWING

THIS DRAWING TO BE INTERPRETED
PER ANSI Y14.5M - 1982

"μSTATION"

COMPANY CONFIDENTIAL

NOTES:

1. SPECIFICATIONS:

IMPEDANCE: 50 OHMS
 FREQUENCY RANGE: 0-6 GHz
 VSWR: 1.13-.04F MAX (F IN GHz)
 WORKING VOLTAGE: 335 VRMS MAX AT SEA LEVEL
 DIELECTRIC WITHSTANDING VOLTAGE: 1000 VRMS MIN AT SEA LEVEL
 INSULATION RESISTANCE: 10000 MEGOHM MIN
 CONTACT RESISTANCE:
 CENTER CONTACT - INITIAL 5 MILLIOHM MAX, AFTER ENVIRONMENTAL 8 MILLIOHM MAX
 OUTER CONDUCTOR - GOLD PLATED INITIAL 1 MILLIOHM MAX, AFTER ENVIRONMENTAL 1.5 MILLIOHM MAX
 NICKEL PLATED INITIAL 2.5 MILLIOHM MAX, AFTER ENVIRONMENTAL 3.5 MILLIOHM MAX
 BODY TO CABLE - GOLD PLATED INITIAL 1 MILLIOHM MAX, AFTER ENVIRONMENTAL NOT APPLICABLE
 NICKEL PLATED INITIAL 2.5 MILLIOHMS MAX, AFTER ENVIRONMENTAL NOT APPLICABLE
 CORONA LEVEL: 250 VOLTS MINIMUM AT 70,000 FEET
 INSERTION LOSS: .1DB MAX AT 1 GHz
 RF LEAKAGE: -55 DB AT 2.5 GHz
 RF HIGH POTENTIAL WITHSTANDING VOLTAGE: 70D VRMS AT 4 AND 7 MHz

MECHANICAL:

ENGAGE/DISENGAGE FORCE: 5.6 LBS MAX ENGAGEMENT
 1.0 LB MIN DISENGAGEMENT
 8.0 LBS MAX DISENGAGEMENT
 CONTACT RETENTION FORCE: 2.3 LBS MIN
 CONTACT RETENTION TORQUE: NOT APPLICABLE
 COUPLING MECHANISM RETENTION: NOT APPLICABLE
 CABLE ACCEPTABILITY: RG 188/U, RG 316/U, RG 161/U, RG 174/U,
 RG 179/U, RG 187/U
 CABLE HEX CRIMP SIZE: .12B
 CABLE RETENTION: 20 LBS MIN AXIAL FORCE
 DURABILITY: 500 CYCLES MIN

ENVIRONMENTAL:

{MEETS OR EXCEEDS THE APPLICABLE PARAGRAPH OF MIL-C-39012}
 THERMAL SHOCK: MIL-STD-202, METHOD 107, CONDITION F
 OPERATING TEMPERATURE: -65 DEG C TO 165 DEG C
 CORROSION: MIL-STD-202, METHOD 101, CONDITION B
 SHOCK: MIL-STD-202, METHOD 213, CONDITION B
 VIBRATION: MIL-STD-202, METHOD 214, CONDITION B
 MOISTURE RESISTANCE: MIL-STD-202, METHOD 106

TOLERANCE UNLESS OTHERWISE SPECIFIED	DRAWN BY SWC	DATE 8-18-95	JOHNSON Cinch Connectivity Solutions 299 Johnson Ave, Ste. 100 Waseca, MN 56093 1-800-247-8256	
DECIMALS .XX	CHECKED BY SWC	DATE 12-28-95	TITLE BULKHEAD JACK ASSEMBLY STRAIGHT CABLED, RG 316 MCX	
.XXX+-.003	APPROVED BY TAK	DATE 1-2-96	CODE NO.	DRAWING NO.
MATL	APPROVED BY RJB	DATE 1-3-96	C - 133-3303-401/410	
FINISH	RELEASE DATE	1-5-96	SCALE 10:1	U/M INCH SHEET 2 OF 2