

PRODUCT CHANGE NOTIFICATION

Date Issued: June 18, 2018

Product Identification: Bel SI-x6xxx-F series of Vertical Mount ICMs

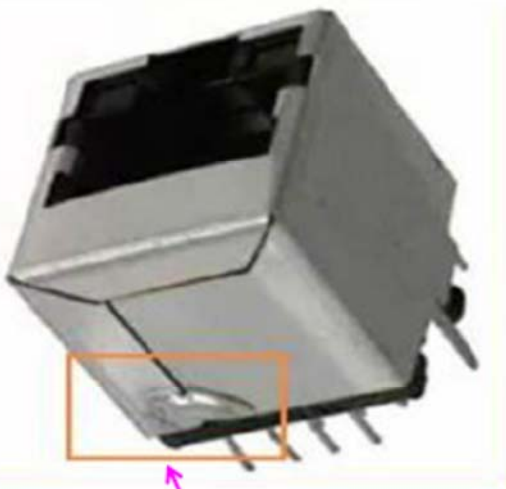
PCN Number: PC2180072

Reason for Change (s): In an effort to continually improve our product, Bel is pleased to announce an update to the outer shield latching scheme on all the SI-x6xxx-F series of ICMs. This change is being made to improve the latching scheme and remove the soldering of the latch. This change will improve cosmetic appearance of the product, eliminate the tarnishing of the shield finish caused by soldering and prevent the shield latch from becoming unhinged during handling.

These changes will not affect “form, fit, or function”, nor do they affect any other dimensions or electrical parameters of the part. No other related changes to the above series are being implemented at this time.

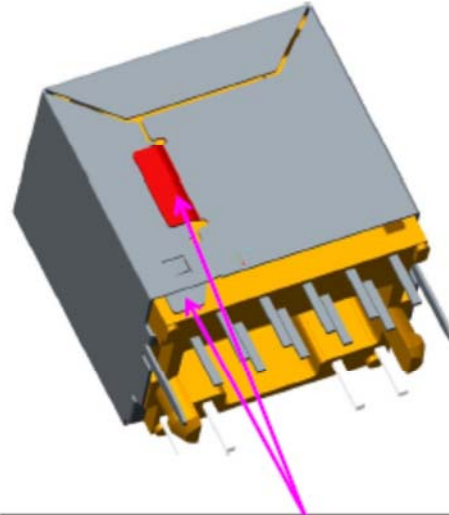
Description of the Change (s): Bel is updating the outer shield latching scheme on all the SI-x6xxx-F series of ICMs by adding 2 additional tabs at the latch area and removing the soldering operation of the latch area. The 2 added tabs will keep the left shield panel from pushing inward, while also keeping the right shield panel securely against the main plastic connector body preventing the latch from becoming disengaged or unhinged. The former soldering operation will be removed and will have a positive visual appearance of the entire connector. Please refer to the images below for more details.

WAS



Current finished goods: solder the shield latch

IS



New finished goods: add two new additional tabs in metal shield and remove the soldering process.

Planned Timing and Implementation of Change: This change will be implemented on any new orders after August 31st, 2018.

Impact on Quality and Reliability: None.

Availability of Qualification Data: None.

Remarks: None.

Signature: John Hess, ICM Product Manager

A handwritten signature in black ink, appearing to read "John Hess".

(Bel Representative)

Note: This form should only be used for advising the customer.