

**M12-Round-Plug Connector, Single-Ended Cordsets,  
According to IEC 61076-2-101**

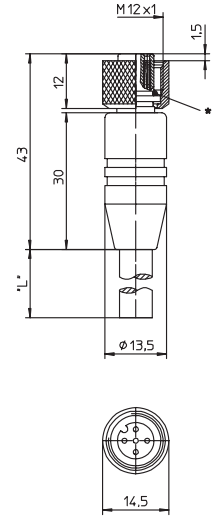
RKTS | RKWTH



**4-, 5-, and 8-Poles (Shielded)**

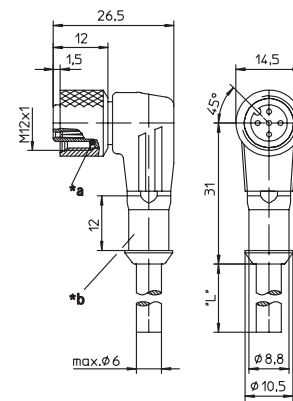
Actuator/sensor cordset, single-ended, M12, 4-, 5-, and 8-poles, female straight connector, internal threads with threaded joint and molded cable, shielding connecting to knurled nut.

RKTS



Actuator/sensor cordset, single-ended, M12, 4-, 5-, and 8-poles, female 90 °connector, internal threads with threaded joint and molded cable, shielding connecting to knurled nut.

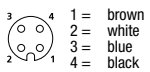
RKWTH



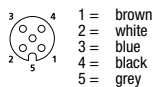
**Pin Assignments**

M12 - Female

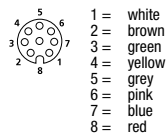
**4 poles**



**5 poles**



**8 poles**





### M12-Round-Plug Connector, Single-Ended Cordsets, According to IEC 61076-2-101 RKTS | RKWTH

#### Technical Data

##### Environmental

Degree of protection IP 67 / NEMA 6P  
Operating temperature range -25°C (-13°F) / +80°C (+176°F)

##### Mechanical

Housing / Molded body TPU  
Insert TPU  
Contact CuSn, pre-nickel and 0.8 microns gold-plated  
Coupling nut CuZn, nickel-plated  
Shield sleeve CuZn, nickel-plated  
O-ring FKM

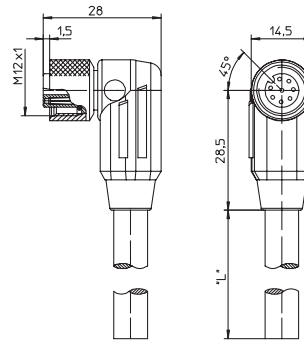
##### Electrical

Contact resistance ≤ 5 mΩ  
Nominal current at 40°C 4 A  
Nominal voltage 4 poles 240 V  
5 poles 60 V  
8 poles 30 V  
Rated voltage 3-4 poles 250 V  
5 poles 63 V  
8 poles 36 V  
Test voltage 3-4 poles 2.0 kV eff. / 60 s  
5-8 poles 1.5 kV eff. / 60 s  
Insulation resistance > 10<sup>9</sup> Ω

#### Cable Specifications

Cable No.	Outer Jacket	Conductor Size	Jacket Color	OD
182	PVC, shielded	4 x 0.34 mm <sup>2</sup>	Orange	.217" (5.5 mm)
183	PVC, shielded	5 x 0.34 mm <sup>2</sup>	Orange	.236" (6.0 mm)
184	PVC, shielded	8 x 0.25 mm <sup>2</sup>	Orange	.260" (6.6 mm)
288	PUR, halogen-free, shielded	4 x 0.34 mm <sup>2</sup>	Black	.217" (5.5 mm)
298	PUR, halogen-free, shielded	5 x 0.34 mm <sup>2</sup>	Black	.236" (6.0 mm)
299	PUR, halogen-free, shielded	8 x 0.25 mm <sup>2</sup>	Black	.260" (6.6 mm)

#### RKWTH (8-pole version)



Part Number	Part Number	Pins	Outer Jacket	Standard Cable Lengths	Characteristics
<b>Female Straight</b>	<b>Female 90°</b>				
RKTS 4-182/...M	RKWTH 4-182/...M	4	PVC	2 M / 5 M / 10 M	
RKTS 4-288/...M	RKWTH 4-288/...M		PUR, halogen-free	2 M / 5 M / 10 M	
RKTS 5-183/...M		5	PVC	2 M / 5 M / 10 M	
RKTS 5-298/...M	RKWTH 5-298/...M		PUR, halogen-free	2 M / 5 M / 10 M	
RKTS 8-184/...M		8	PVC	2 M / 5 M / 10 M	
RKTS 8-299/...M	RKWTH 8-299/...M		PUR, halogen-free	2 M / 5 M / 10 M	