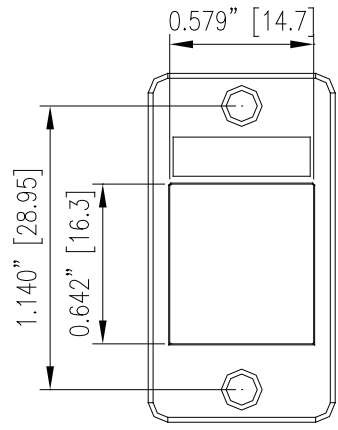
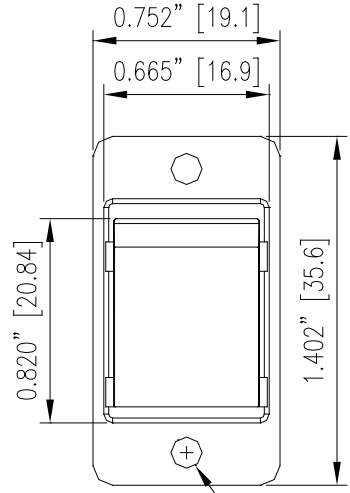
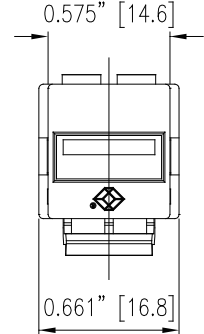


for ultrasonic welding



MATERIAL
 Bezel: Zinc alloy, plated with nickel

USB A-B Coupler
 Shell: Brass/Tin-Lead Plated Over Copper
 Housing: High-impact Polybutylene terephthalate (PBT resin),
 UL 94 V-0 rated, Glass Filled, 130 C
 Contact: Copper Alloy
 RoHS compliant

DRAWN BY Autumn Lee					Another quality product from BLACK BOX 724-746-9300 • www.blackbox.com				
APPROVED BY Jerry Su					TITLE Panel Mount USB Coupler Un-Shielded, Type "A" To Type "B" - Black				
DIMENSIONS ARE [IN (MM)]					PARTS NO. FMT1050				
TOLERANCES:					REV. 1				
~0.8"	~2"	~6"	6"~	ANGLE	DATE 2011.04.27		SCALE X	SHEET 1/1	
±0.007"	±0.015"	±0.02"	±0.06"	2°	3rd Angle Projection				