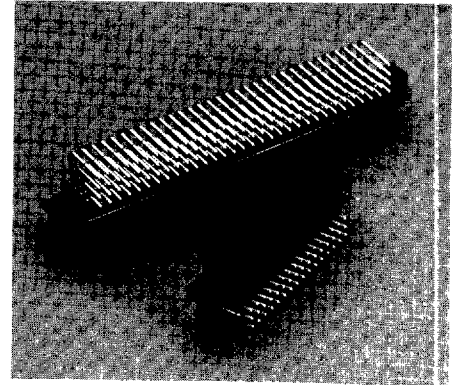
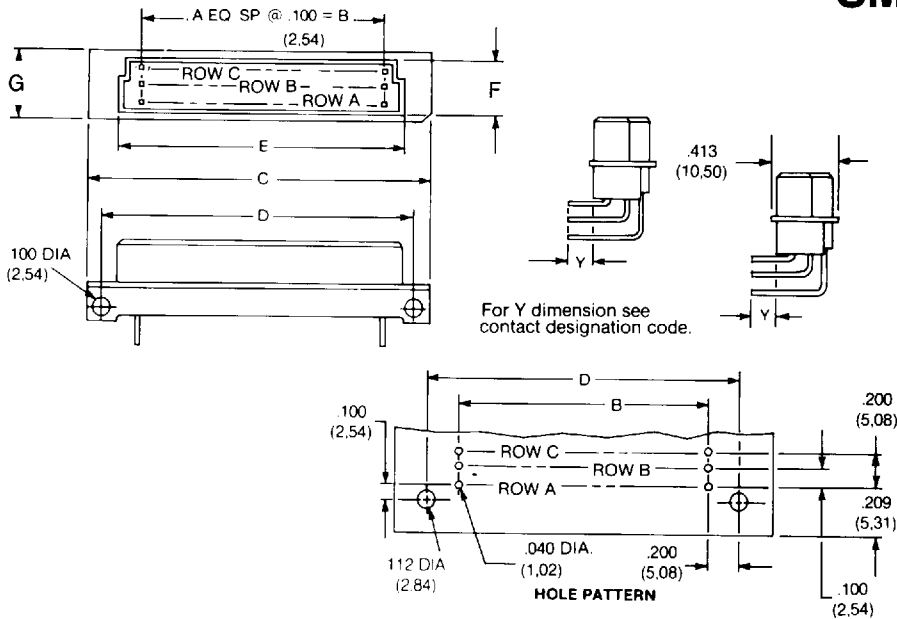


# Style R, 1/2 R & R-Expanded Receptacle 8577

## SMC - High Temperature Inverted 3-Row / 4-Row



### ORDERING CODE 20 8577 048 002 025

#### PREFIX

20 - SOCKET WITHOUT KEYING  
26 - SOCKET WITH BOARD RETENTION CLIPS

#### SERIES

Inverted DIN, Style R 1/2 R

#### NUMBER OF CONTACT CAVITY POSITIONS

NO. POSITIONS	ROWS	A	B	C	D	E	F	G
048	3 (3 x 16)	15	1.500 (38.10)	2.122 (53.90)	1.900 (48.26)	1.744 (44.30)	.334 (8.48)	.413 (10.50)
096	3 (3 x 32)	31	3.100 (78.74)	3.607 (93.90)	3.500 (88.90)	3.343 (84.90)	.334 (8.48)	.413 (10.50)
128	4 (4 x 32)	31	3.100 (78.74)	3.607 (93.90)	3.500 (88.90)	3.343 (84.90)	.437 (11.10)	.516 (13.10)

#### CONTACT DESIGNATION CODE

CODE NO.	DESCRIPTION	TERMINAL LENGTH = Y
002	Right angle P.C contact sq terminal	.118 (3.00)
006	Right angle P.C contact .012 (0.30) x .031 (0.79) terminal	.118 (3.00)

#### VARIATION CODE

	Gold All Over		Gold Contact Area, Tin/Lead Terminal		
Class	DIN 41612 Class II	DIN 41612 Class III	DIN 41612 Class II	DIN 41612 Class III	
Cycle Life	400 Cycles	50 Cycles	400 Cycles	50 Cycles	
	Variation Code Numbers				Contact Loading Positions
	097	073	025	001	Fully loaded .100 (2.54) grid
	098	074	026	002	Row A&C Fully loaded .100 (2.54) x .200 (5.08) grid

NOTE: For alternate loading and plating, please contact factory. Shaded variations recommended for standard applications. Available through ELCO franchised distributors.

- withstands temperatures of 240°C to 250°C for up to 15 seconds
- ideal for IR reflow or convection oven processing (up to 20 seconds pre & post processing heat)
- eliminates need for secondary soldering or product shielding/masking to resist heat

# Technical Specifications

# ELCO

## Series

**8254 / 8459**

**8457 / 8458**

**8477 / 8478**

Basic Grid	.100 (2,54) X .100 (2,54) - .100 (2,54) X .200 (5,08)
Insertion Force	3.0 oz./ .83 N average per contact pair (20.23 / 90N max. for 96 contacts)
Withdrawal Force	Average per contact pair (.54 oz / 0,15N min. per contact)
Contact Positions	2 X 16, 2 X 32, 3 X 10, 3 X 16, 3 X 32, 3 X 50, 4 X 32, 4 X 50, 5 X 32
Contact Resistance	20 milliohms max.
Current Rating * (see note)	3 amperes @ 20°C max. on connectors up to 96 contacts. 1 ampere max. on connectors from 100 to 201 contacts.
Insulation Resistance	5,000 megohms min. at 500 VDC
Dielectric Withstanding Voltage	1,000 VAC rms at sea level
Operating Temperature	-65°C to +125°C
Insulator Material	Thermoplastic polyester (GF), 94 V-O, UL rated
Socket Contact Material	Phosphor bronze
Pin Contact Material	Copper tin
Wrap Post Dimension	.024 X .024 (0,6 mm X 0,6 mm)
Push-Out Force of Post in Insulator	3 lbs.
Contact Plating	Gold over nickel

## Series

**8447**

Basic Grid	.200 (5,08) X .200 (5,08)
Insertion Force	4.0 oz./ 1.11 N average per contact pair (9.0 lbs. / 40N max. for 32 contacts)
Withdrawal Force	Average per contact pair (.54 oz / 0,15N min. per contact)
Contact Positions	2 X 16, 3 X 16
Contact Resistance	15 milliohms max.
Current Rating * (see note)	5.5 amperes @ 20°C max.
Insulation Resistance	5,000 megohms min. at 500 VDC
Dielectric Withstanding Voltage	1,550 VAC rms at sea level
Operating Temperature	-65°C to +125°C
Insulator Material	Polycarbonate (GF)
Pin Contact Material	Copper alloy
Wrap Post Dimension	1,0 mm X 1,0 mm
Contact Plating	Gold over nickel

## Series

**8557 / 8577**

Basic Grid	.100 (2,54) X .100 (2,54) - .100 (2,54) X .200 (5,08)
Insertion Force	3.0 oz./ .83 N average per contact pair (20.23 / 90N max. for 96 contacts)
Withdrawal Force	Average per contact pair (.54 oz / 0,15N min. per contact)
Contact Positions	3 X 16, 3 X 32, 4 X 32 (inverted receptacle)
Contact Resistance	20 milliohms max.
Current Rating * (see note)	3 amperes @ 20°C max. on connectors up to 96 contacts.
Insulation Resistance	5,000 megohms min. at 500 VDC
Dielectric Withstanding Voltage	1,000 VAC rms at sea level
Operating Temperature	-65°C to +125°C
Insulator Material	LCP
Socket Contact Material	Phosphor bronze
Pin Contact Material	Copper alloy
Wrap Post Dimension	.024 X .024 (0,6 mm X 0,6 mm)
Push-Out Force of Post in Insulator	3 lbs.
Contact Plating	Gold over nickel

\* Current Rating: UL approval allows that DIN connectors up to 96 contacts be rated at 3 amperes. Over 96 pins must be derated to 1.0 ampere maximum. VDE, CSA, and other European standards rate all DIN and DIN type connectors at 1 ampere maximum when they are on a .100 (2,54) X .100 (2,54) grid. (UL file #E27610 Vol. # 1 Section #6.)

# Technical Specifications

# ELCO

## Plating table

<b>Class</b>	M55302 Class I	DIN 41612 Class II	DIN 41612 Class III
<b>Cycle Life</b>	500+ Cycles	400 Cycles	50 Cycles

Shaded variations recommended for standard applications.  
Available through ELCO franchised distributors.

## Military part number cross-reference

Military Designation	Elco MIL P/N
M55302/131-01	10-8457-096-002-913
M55302/131-02	10-8457-096-002-914
M55302/132-01	20-8457-096-002-908
M55302/132-02	20-8457-096-005-902
M55302/132-03	20-8457-096-006-900
M55302/132-04	20-8457-096-002-910
M55302/132-05	20-8457-096-005-900
M55302/132-06	20-8457-096-006-901
M55302/133-01	10-8457-064-002-901
M55302/133-02	10-8457-064-002-902
M55302/133-03	10-8457-064-002-903
M55302/134-01	20-8457-064-002-902
M55302/134-02	20-8457-064-005-901

Military Designation	Elco MIL P/N
M55302/134-03	20-8457-064-006-900
M55302/134-04	20-8457-064-002-903
M55302/134-05	20-8457-064-005-902
M55302/134-06	20-8457-064-006-901
M55302/134-07	20-8457-064-002-904
M55302/134-08	20-8457-064-005-903
M55302/134-09	20-8457-064-006-902
M55302/157-01	10-8477-096-006-901
M55302/157-02	10-8477-096-002-902
M55302/157-03	10-8477-096-006-903
M55302/157-04	10-8477-096-002-904
M55302/158-01	20-8477-096-002-901
M55302/158-02	20-8477-096-002-902