

VARELCO VARELCO

Series 8343

Right Angle 'D' Subminiature Connectors

The Varelco Series 8343 right-angle 'D' Type subminiature connectors for printed circuit board mounting meet the three world wide accepted standards for different PCB drilling patterns whilst remaining mutually intermateable.

The connectors are available with 9, 15, 25 & 37 contacts.

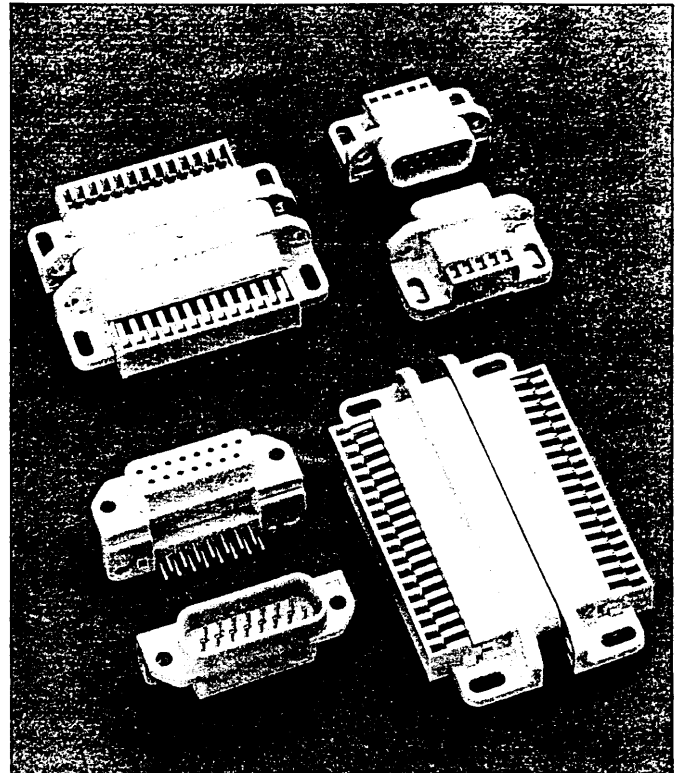
Style 11. US Pattern.

Style 11 connectors are directly interchangeable with U.S. versions and have the following compatible design features.

1. Mounting holes to edge of PCB.
2. Edge of PCB to hole centres of first row of connector spills.
3. Connector mounting hole centres to centre of first row of connector spills.
4. Spacing between contact spill rows.
5. Overall height of plug or socket.

Styles 12 & 13. European Patterns.

Styles 12 & 13 connectors are directly intermateable with European style connectors. Style 12 have 2.54mm solder spill spacing. Style 13 have 2.84mm solder spill spacing. For both styles the connector mounting hole to edge of PCB dimension and overall height of plug or socket are compatible.



Technical Specification.

Styles 11, 12 & 13.

Sizes:	9, 15, 25 & 37 contacts.
Material:	Insulator—Glass filled thermoplastic polyester. Contacts—Phosphor Bronze.
Finish:	Contacts—Gold over Nickel. Spills—Tin lead Alloy.
Current Rating:	1 ampere.
Working Voltage:	350V DC or AC peak.
Voltage Proof:	1050V DC or AC peak.

Insulation Resistance:	>5 × 10 ⁶ megohms.
Temperature Rating	-55°C to +105°C.
PCB Thickness	1.6mm (1/16").



VARELCO LTD

Series 8343

Right Angle 'D'Subminiature Connectors

EXAMPLE

ORDERING CODE

	20	8343	015	0	12	01	2
Connector Code Prefix							
10 – Plug							
20 – Socket							
58 – Special							
Series No.							
Number of Contact Positions							
009 – 9 ways							
015 – 15 ways							
025 – 25 ways							
037 – 37 ways							
Plating Variation							
0 – Standard Selective Gold Nose/Tin Tail							
Style (Refer to Dimension 'E')							
11 – 2.84mm US pattern							
12 – 2.54mm European Pattern							
13 – 2.84mm European Pattern							
Screwlock Variation							
00 – Without Screwlock							
01 – Screwlock fitted							
Insulator Colour Variation							
0 – Grey							

1 = BLACK (SPECIAL) CHECK AVAILABILITY WITH AVX FLEET BEFORE ORDERING

To complete Order Code, select the required specification in each section and list code as a 15 digit number. See example.



VARELCO LTD

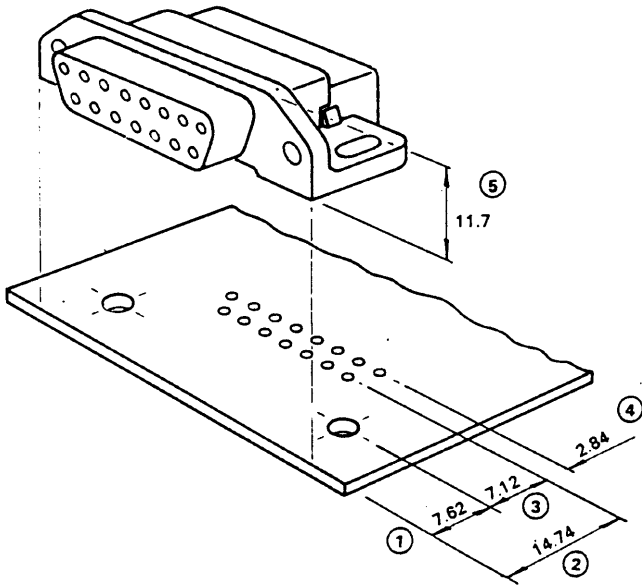
Exning Road Newmarket Suffolk England CB8 0AT
Tel: 0638 664514 Telex: 81519 FAX 0638 661233

A member of the Cambridge Electronic Industries Group of Companies

STYLE 11

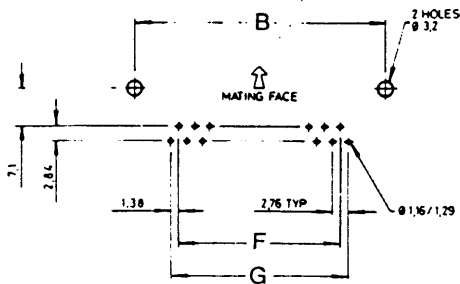
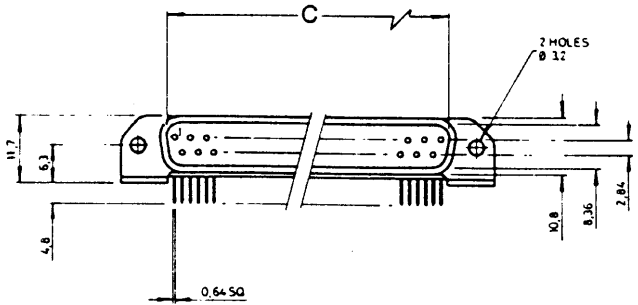
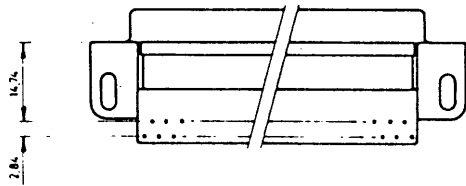
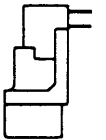
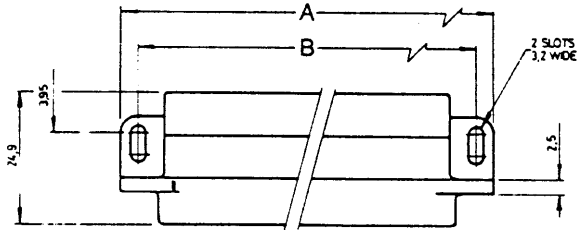
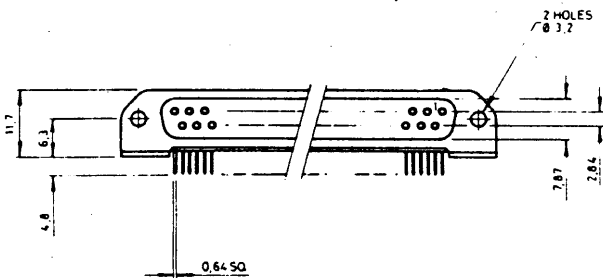
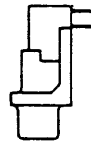
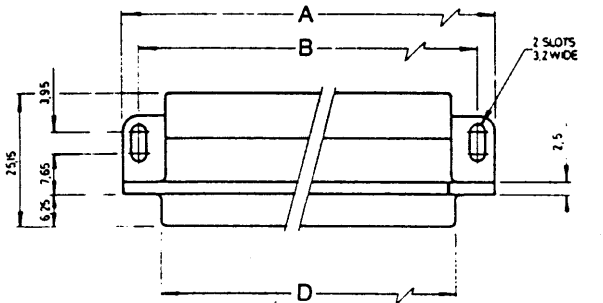
Directly interchangeable with U.S. standard connectors in 5 ways.

- ① Connector mounting holes to edge of P.C.B.
- ② Edge of P.C.B. to hole centres of first row of connector spills.
- ③ Connector mounting hole centres to centres of first row of connector spills.
- ④ Spacing between contact spill rows.
- ⑤ Overall height of plug or socket.

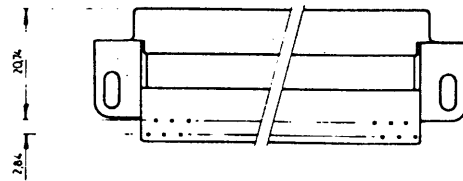


DIMENSIONS STYLE 11

	A	B	C	D	F	G
9 way plug	31.0	25.0	16.9		8.28	11.04
9 way socket				16.36		
15 way plug	39.3	33.3	25.2		16.56	19.32
15 way socket				24.69		
25 way plug	53.0	47.0	38.9		30.36	33.12
25 way socket				38.41		
37 way plug	69.5	63.5	55.4		46.92	49.68
37 way socket				54.87		

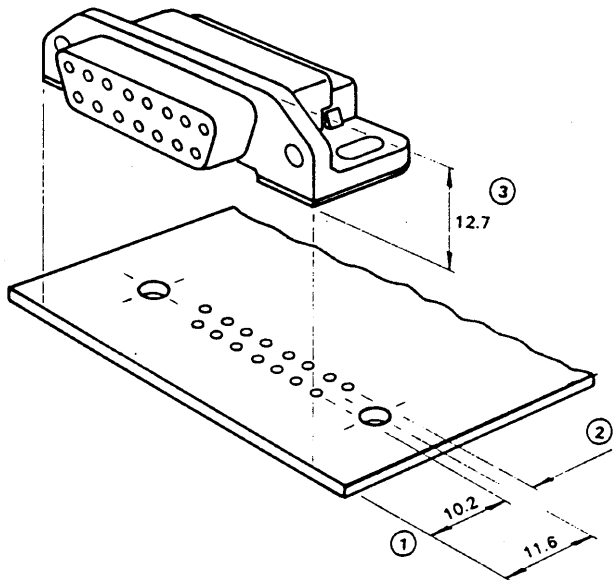


PRINTED CIRCUIT BOARD DRILLING PATTERN



SOCKET
DETAILS

PLUG
DETAILS



STYLE 12 & 13

Directly interchangeable with European style connectors in 9, 15, 25 and 37 contact sizes.

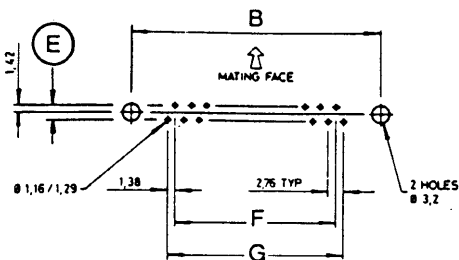
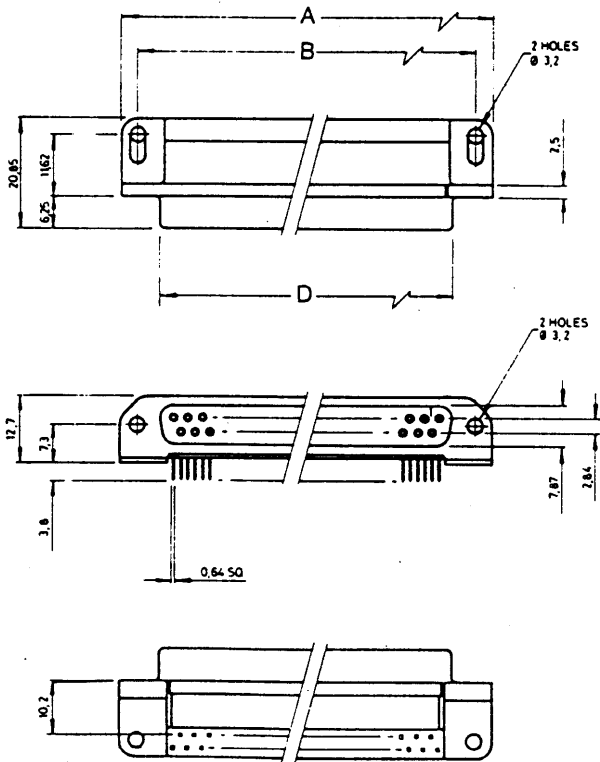
STYLE 12 with 2.54mm solder spill row spacing.

STYLE 13 with 2.84mm solder spill row spacing.

- ① Connector mounting holes to edge of printed circuit board.
- ② Alternative 2.54 or 2.84 pitch of solder spills.
- ③ Overall height of plug or socket.

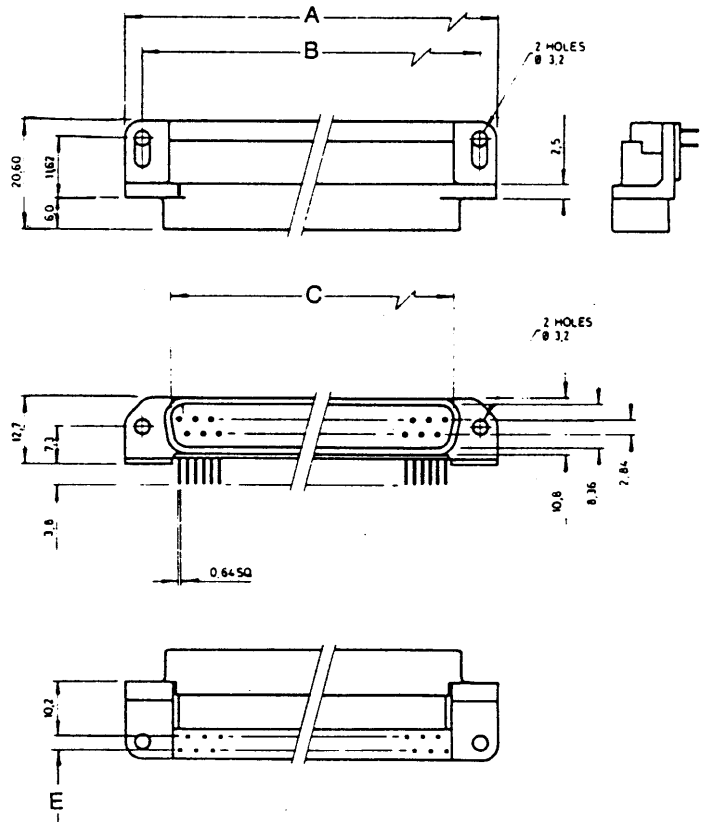
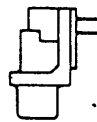
DIMENSIONS STYLE 12 & 13

	A	B	C	D	F	G
9 way plug	31.0	25.0	16.9	16.36	8.28	11.04
9 way socket						
15 way plug	39.3	33.3	25.2	24.69	16.56	19.32
15 way socket						
25 way plug	53.0	47.0	38.9	38.41	30.36	33.12
25 way socket						
37 way plug	69.5	63.5	55.4	54.87	46.92	49.68
37 way socket						



PRINTED CIRCUIT BOARD DRILLING PATTERN

SOCKET DETAILS



PLUG DETAILS

Note: Dimension E should be 2.54 for STYLE 12 and 2.84 for STYLE 13