

1.0mm Spacing

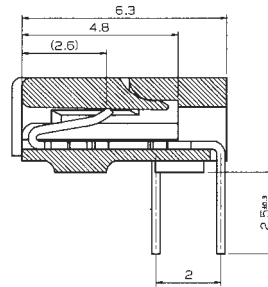
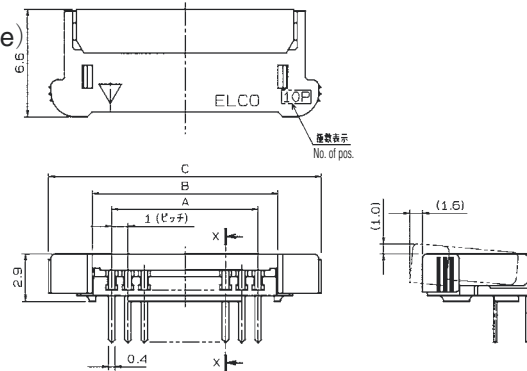
SERIES

# 6200

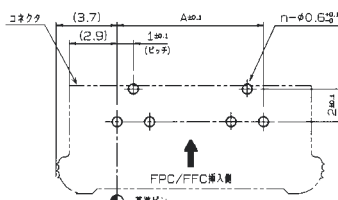
ZIF ライトアングル DIP 下接点 SMT ボス付き 下接点

ZIF Right Angle Through Hole Bottom Contact, SMT With Boss Bottom Contact Type

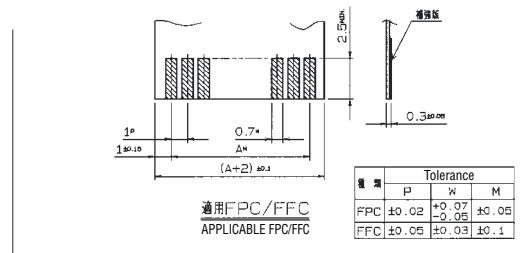
DIP  
(Through Hole)



SECT. X-X



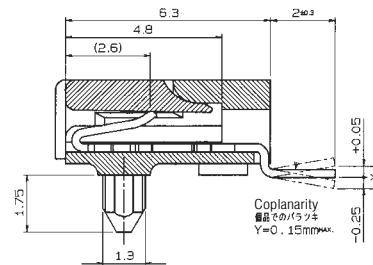
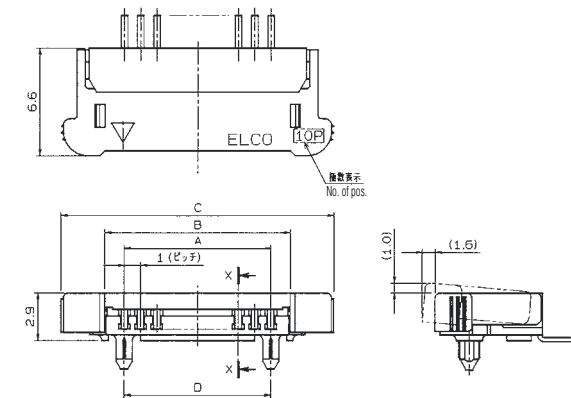
取付け基板寸法 (コネクタ搭載側) Mounting Layout  
 挿入厚 (t=1.2mm以下) (View from connector mounting side)  
 Applicable P.C.Board thickness



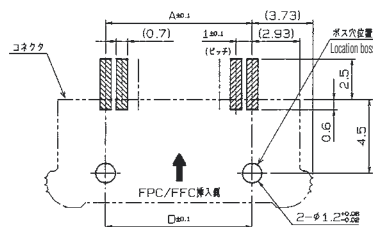
適用FPC/FFC  
 APPLICABLE FPC/FFC

SMTボス付

With Boss



SECT. X-X



取付け基板寸法 (コネクタ搭載側) Mounting Layout  
 挿入厚 (t=1.2mm以下) (View from connector mounting side)  
 Applicable P.C.Board thickness

注文コード ORDERING CODE

00 6200 XX7 XXX 800

00: トレー梱包  
 TRAY PACKAGE

極数  
 NUMBER  
 OF  
 CONTACTS

バリエーション VARIATION CODE  
 012: DIP Through Hole  
 022: SMTボス付 WITH BOSS

| No. of pos. | A  | B    | C     | D  |
|-------------|----|------|-------|----|
| 5           | 4  | 6.4  | 11.45 | 4  |
| 6           | 5  | 7.4  | 12.45 | 5  |
| 7           | 6  | 8.4  | 13.45 | 6  |
| 8           | 7  | 9.4  | 14.45 | 7  |
| 9           | 8  | 10.4 | 15.45 | 8  |
| 10          | 9  | 11.4 | 16.45 | 9  |
| 11          | 10 | 12.4 | 17.45 | 10 |
| 12          | 11 | 13.4 | 18.45 | 11 |
| 13          | 12 | 14.4 | 19.45 | 12 |
| 14          | 13 | 15.4 | 20.45 | 13 |
| 15          | 14 | 16.4 | 21.45 | 14 |
| 16          | 15 | 17.4 | 22.45 | 15 |
| 17          | 16 | 18.4 | 23.45 | 16 |
| 18          | 17 | 19.4 | 24.45 | 17 |
| 19          | 18 | 20.4 | 25.45 | 18 |
| 20          | 19 | 21.4 | 26.45 | 19 |
| 21          | 20 | 22.4 | 27.45 | 20 |
| 22          | 21 | 23.4 | 28.45 | 21 |
| 23          | 22 | 24.4 | 29.45 | 22 |
| 24          | 23 | 25.4 | 30.45 | 23 |
| 25          | 24 | 26.4 | 31.45 | 24 |
| 26          | 25 | 27.4 | 32.45 | 25 |
| 27          | 26 | 28.4 | 33.45 | 26 |
| 28          | 27 | 29.4 | 34.45 | 27 |
| 29          | 28 | 30.4 | 35.45 | 28 |
| 30          | 29 | 31.4 | 36.45 | 29 |

1.0mm Spacing

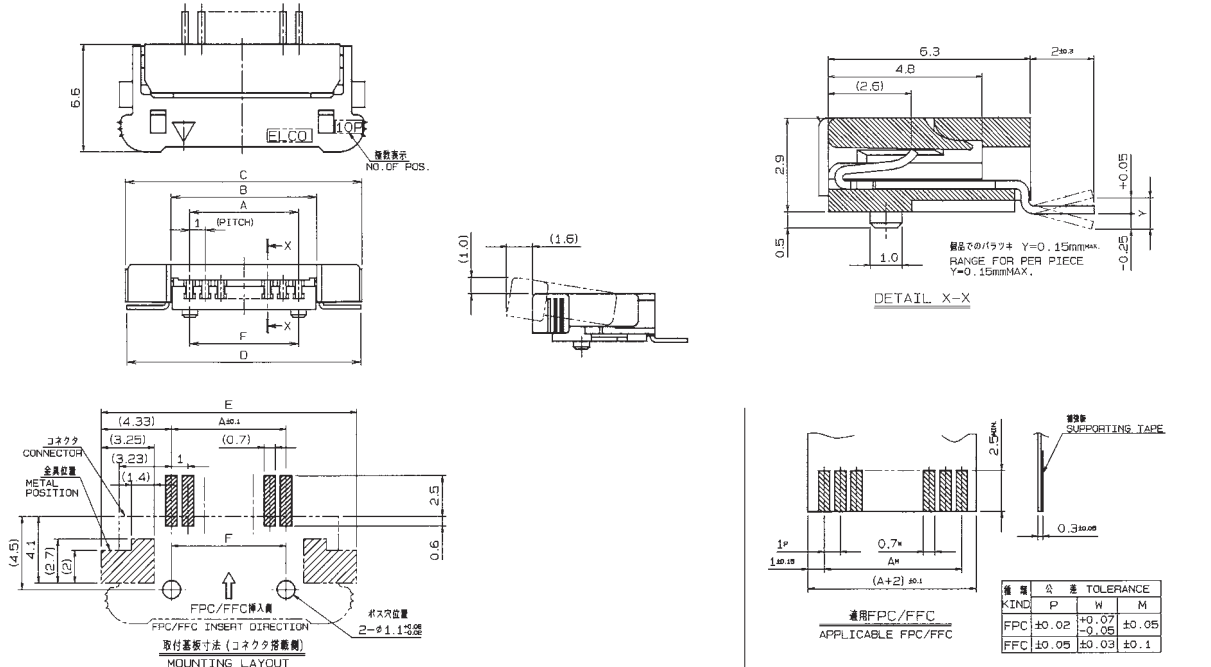
SERIES

# 6200

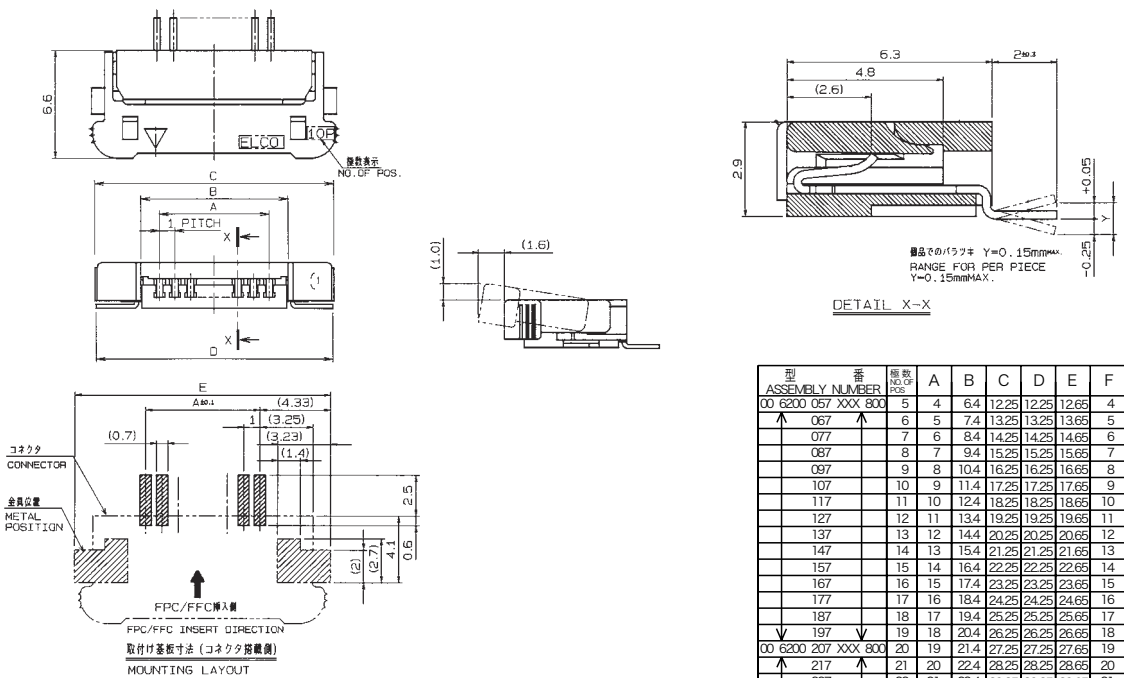
ZIF ライトアングル SMT 下接点

ZIF Right Angle SMT (Bottom Contact Type)

金具付ボス付 WITH Solder Tab BOSS



金具付 WITH Solder Tab



注文コード ORDERING CODE

00 6200 XX7 XXX 800

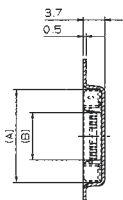
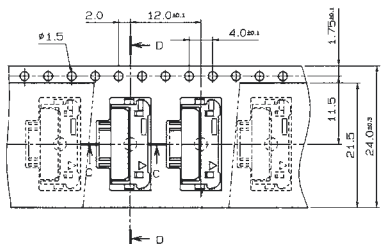
00 : トレー梱包 TRAY PACKAGE  
 極数 NUMBER OF CONTACTS  
 バリエーション VARIATION CODE  
 052 : 金具付/ボス付 WITH Solder Tab/ BOSS  
 032 : 金具付 WITH Solder Tab

| 型番                  | 極数          | A  | B    | C     | D     | E     | F  |
|---------------------|-------------|----|------|-------|-------|-------|----|
| ASSEMBLY NUMBER     | NO. OF POS. |    |      |       |       |       |    |
| 00 6200 057 XXX 800 | 5           | 4  | 6.4  | 12.25 | 12.25 | 12.65 | 4  |
| 067                 | 6           | 5  | 7.4  | 13.25 | 13.25 | 13.65 | 5  |
| 077                 | 7           | 6  | 8.4  | 14.25 | 14.25 | 14.65 | 6  |
| 087                 | 8           | 7  | 9.4  | 15.25 | 15.25 | 15.65 | 7  |
| 097                 | 9           | 8  | 10.4 | 16.25 | 16.25 | 16.65 | 8  |
| 107                 | 10          | 9  | 11.4 | 17.25 | 17.25 | 17.65 | 9  |
| 117                 | 11          | 10 | 12.4 | 18.25 | 18.25 | 18.65 | 10 |
| 127                 | 12          | 11 | 13.4 | 19.25 | 19.25 | 19.65 | 11 |
| 137                 | 13          | 12 | 14.4 | 20.25 | 20.25 | 20.65 | 12 |
| 147                 | 14          | 13 | 15.4 | 21.25 | 21.25 | 21.65 | 13 |
| 157                 | 15          | 14 | 16.4 | 22.25 | 22.25 | 22.65 | 14 |
| 167                 | 16          | 15 | 17.4 | 23.25 | 23.25 | 23.65 | 15 |
| 177                 | 17          | 16 | 18.4 | 24.25 | 24.25 | 24.65 | 16 |
| 187                 | 18          | 17 | 19.4 | 25.25 | 25.25 | 25.65 | 17 |
| 197                 | 19          | 18 | 20.4 | 26.25 | 26.25 | 26.65 | 18 |
| 00 6200 207 XXX 800 | 20          | 19 | 21.4 | 27.25 | 27.25 | 27.65 | 19 |
| 217                 | 21          | 20 | 22.4 | 28.25 | 28.25 | 28.65 | 20 |
| 227                 | 22          | 21 | 23.4 | 29.25 | 29.25 | 29.65 | 21 |
| 237                 | 23          | 22 | 24.4 | 30.25 | 30.25 | 30.65 | 22 |
| 247                 | 24          | 23 | 25.4 | 31.25 | 31.25 | 31.65 | 23 |
| 257                 | 25          | 24 | 26.4 | 32.25 | 32.25 | 32.65 | 24 |
| 267                 | 26          | 25 | 27.4 | 33.25 | 33.25 | 33.65 | 25 |
| 277                 | 27          | 26 | 28.4 | 34.25 | 34.25 | 34.65 | 26 |
| 287                 | 28          | 27 | 29.4 | 35.25 | 35.25 | 35.65 | 27 |
| 297                 | 29          | 28 | 30.4 | 36.25 | 36.25 | 36.65 | 28 |
| 00 6200 307 XXX 800 | 30          | 29 | 31.4 | 37.25 | 37.25 | 37.65 | 29 |

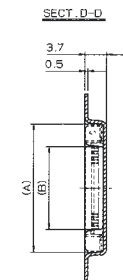
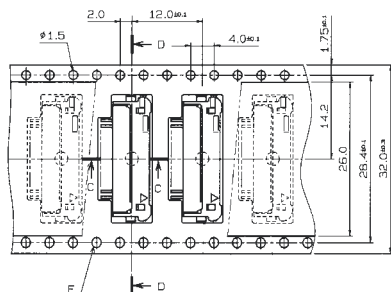
1.0mm Spacing

SERIES

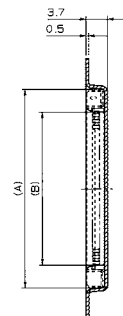
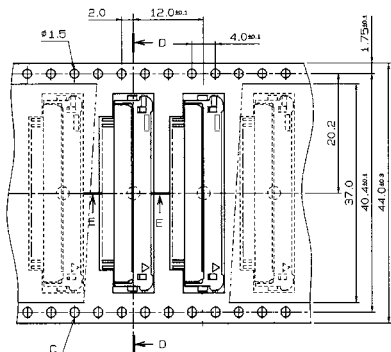
# 6200 エンボス梱包品 Tape and Reel Package



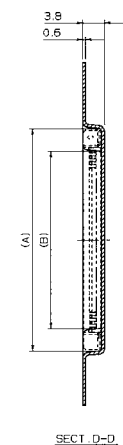
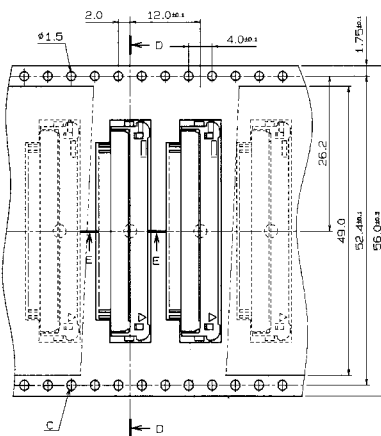
| 型番          | P/N     | 極数<br>NO. OF<br>POS. | A    | B    |
|-------------|---------|----------------------|------|------|
| 00 6200 505 | 130 000 | 5                    | 12.7 | 5.0  |
|             | 506     | 6                    | 13.7 | 6.0  |
|             | 507     | 7                    | 14.7 | 7.0  |
|             | 508     | 8                    | 15.7 | 8.0  |
|             | 509     | 9                    | 16.7 | 9.0  |
|             | 510     | 10                   | 17.7 | 10.0 |
| 00 6200 511 | 130 000 | 11                   | 18.7 | 11.0 |



| 型番          | P/N     | 極数<br>NO. OF<br>POS. | A    | B    |
|-------------|---------|----------------------|------|------|
| 00 6200 512 | 230 000 | 12                   | 19.7 | 12.0 |
|             | 513     | 13                   | 20.7 | 13.0 |
|             | 514     | 14                   | 21.7 | 14.0 |
|             | 515     | 15                   | 22.7 | 15.0 |
| 00 6200 516 | 230 000 | 16                   | 23.7 | 16.0 |



| 型番          | P/N     | 極数<br>NO. OF<br>POS. | A    | B    |
|-------------|---------|----------------------|------|------|
| 00 6200 517 | 330 000 | 17                   | 24.7 | 17.0 |
|             | 518     | 18                   | 25.7 | 18.0 |
|             | 519     | 19                   | 26.7 | 19.0 |
|             | 520     | 20                   | 27.7 | 20.0 |
|             | 521     | 21                   | 28.7 | 21.0 |
|             | 522     | 22                   | 29.7 | 22.0 |
|             | 523     | 23                   | 30.7 | 23.0 |
|             | 524     | 24                   | 31.7 | 24.0 |
|             | 525     | 25                   | 32.7 | 25.0 |
|             | 526     | 26                   | 33.7 | 26.0 |
| 00 6200 527 | 330 000 | 27                   | 34.7 | 27.0 |



| 型番          | P/N     | 極数<br>NO. OF<br>POS. | A    | B    |
|-------------|---------|----------------------|------|------|
| 00 6200 528 | 430 000 | 28                   | 35.7 | 28.0 |
| 00 6200 529 | 430 000 | 29                   | 36.7 | 29.0 |
| 00 6200 530 | 430 000 | 30                   | 37.7 | 30.0 |

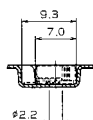
注文コード ORDERING CODE

00 6200 5XX X30 000

極数  
NUMBER  
OF  
CONTACTS

バリエーション VARIATION CODE

- 1: エンボス Tape and Reel 24.0mm
- 2: エンボス Tape and Reel 32.0mm
- 3: エンボス Tape and Reel 44.0mm
- 4: エンボス Tape and Reel 56.0mm



梱包数量 1000ヶ/リール  
(1000 connectors per Tape and Reel.)