

**ELCO
FFC/FPC Connectors**

Contents

- Product Selection Guide** 1
- History of FFC/FPC** 2
- 0.50mm Pitch Product Selector Guide** 9
 - Series 6249 11
 - Series 6250/6270 13
 - Series 6252/6272 15
 - Series 6239/6269 17
 - Series 6240 19
 - Series 6210/6260 21
 - Series 6212/6262 23
 - Series 6254 25
 - Series 6222 27
 - Series 6223 29
 - Series 6214 31
 - Series 6274 33
 - Series 6244 35
 - Series 6266 37
- 0.80mm Pitch Product Selector Guide** 39
 - Series 6218 40
 - Series 6206 41
- 1.00mm Pitch Product Selector Guide** 43
 - Series 6232 45
 - Series 6200 53
 - Series 6224 57
 - Series 6208 59
 - Series 6229 62
 - Series 6248 64
 - Series 6226 65
 - Series 6227 67
 - Series 6228 69
- 1.25mm Pitch Product Selector Guide** 70
 - Series 8370 71
 - Series 6216 73
 - Series 6205 78
 - Series 6207 79
 - Series 6203 81
 - Series 5062 82

FFC/FPC Connectors



Product Selection Guide

Series	SMT				DIP (Through Hole)					
	Vertical Type		Right Angle Type		Vertical Type		Right Angle Type		Bottom Entry	Direct
	ZIF	NON-ZIF (LIF)	ZIF	NON-ZIF (LIF)	ZIF	NON-ZIF (LIF)	ZIF	NON-ZIF (LIF)	NON-ZIF (LIF)	-
0.30mm pitch			6255							
0.50mm pitch	6214 6274	6244 6266	6249 6250 6270 6252 6272 6239 6269 6240 6210 6260 6212 6262	6222 6223 6254						
0.80mm pitch		6218		6206						
1.00mm pitch	6208 6229 6248	6226 6231 6232	6200 6224 6237	6227 6232	6229 6208	6232	6200	6232 6228		
1.25mm pitch		6207		6207	6205	8370 6216		8370 6216	6203	5062

In the 1970's, Flat Flexible Cables (FFC) were adopted as a standard interface to jumper between printed circuit boards. While these cables provided design engineers significant packaging flexibility, the termination technology was limited to only two methods:

- Direct Solder: permanent connection for low cost applications.
- Crimped Contacts: separable connection for high end plugability.

Seeing the need for a cost effective termination solution, Elco developed the first card edge style connector in 1986 which would mate directly to the

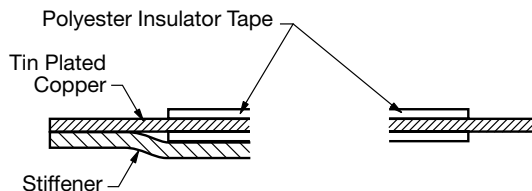
FFC. This Low Insertion Force (LIF) type connector provided simple and reliable mating and unmating of the cable to the printed circuit board. Elco's 8370 Series quickly became an industry standard for cost effective FFC terminations. In 1987, Elco introduced the first Zero Insertion Force (ZIF) connector, Series 6200, which provided increased mating and unmating (durability) cycles.

Since that time, Elco has continued to lead the industry with state-of-the-art products. Today we offer over 45 different product series for flex circuits ranging between 1.25mm and 0.30mm pitch.

FFC/FPC COMPOSITION

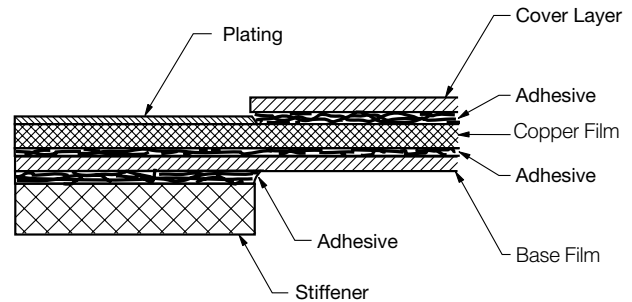
FFC

Flat Flexible Cable (FFC) is made up of thin rectangular copper conductors laminated between two layers of polyester insulation. These copper conductors are left uncovered on each end and then tin plated to make electrical contact with the connector. A stiffener is bonded to the cable end which provides mechanical stability for the exposed copper conductors during mating and unmating. This type of cable is used when a straight one-to-one connection is required.



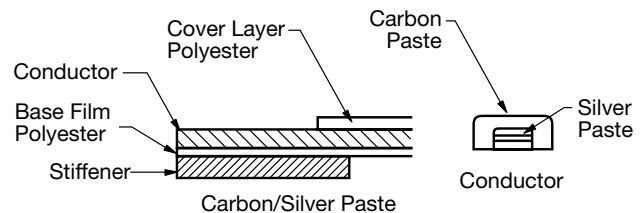
FPC

Flexible Printed Circuits (FPC) are similar in construction to the FFC except that copper film is chemically etched to produce a specific pattern. While these circuits are custom made for each application, various shapes and geometrics can solve the toughest packaging problems.



CARBON PASTE

Screen printing with conductive ink is the newest form of FPC (called membrane) being produced today. In this application, carbon/silver (C/Ag) paste replaces the traditional copper conductor. While very soft and easily damaged, these membrane circuits are cost effective to produce and are lightweight.

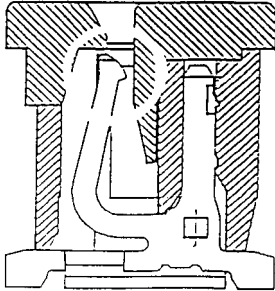


CONTACT DESIGN

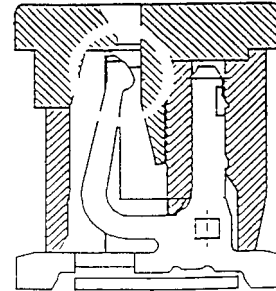
In keeping pace with FFC/FPC Technology, Elco has developed two different contact geometrics to guarantee reliable gas tight connections. The standard contact, which is available in all series, was designed to mate with all copper based FFC/FPC. This initial

contact system proved to be too damaging to the softer carbon silver paste. In 1985, Elco introduced the first contact specifically designed for this application. Incorporating a radiused point, this new contact provides the reliability needed to meet today's mechanical and environmental environments.

STANDARD CONDUCTOR



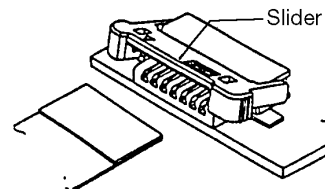
C/Ag CONDUCTOR



CONNECTOR TERMINOLOGY

ZIF (Zero Insertion Force)

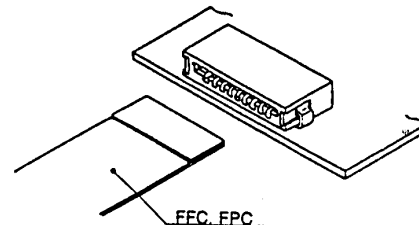
This connector style allows the highest possible number of mating cycles (30) for FFC/FPC. This connector incorporates a mechanical slider mechanism which snaps down over the cable after it is inserted into the insulator body.



ZIF

LIF (Low Insertion Force) / NON ZIF

This style is the most cost effective FFC/FPC connector while still providing reliability. The prepared cable is gently pressed into the insulator slot. There are no moving parts, however, maximum durability is 10 mating cycles.



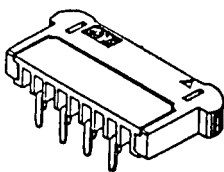
LIF

FUNCTIONAL COMPARISON OF ZIF AND LIF

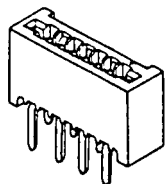
	Durability	Reliability	Cost	Size
ZIF	Better	Better	Good	Good
LIF	Good	Good	Better	Better

PCB TERMINATION STYLE

THROUGH HOLE

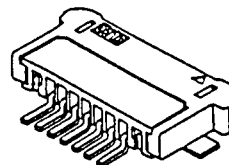


Right Angle

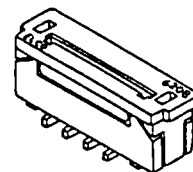


Straight

SURFACE MOUNT



Right Angle

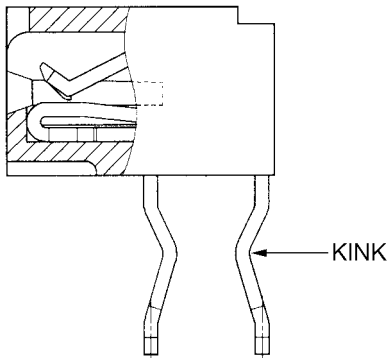


Straight

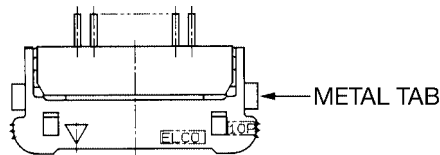
PLACEMENT FEATURES

These help to position the connector on the printed circuit board and provide mechanical support, especially in SMT applications.

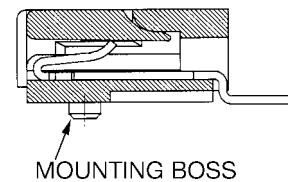
KINKED LEGS



METAL TAB / STRAIN RELIEF



MOUNTING BOSS



CONTACT ORIENTATION

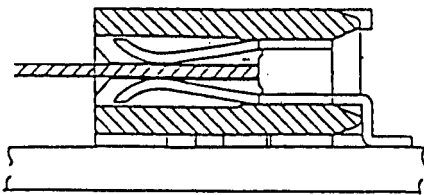
Dual Sided Contacts (LIF Only): Cable orientation is not as critical.

Single Sided Contacts (Includes Top and Bottom): This style requires the FFC/FPC to be inserted into the insulator where by the exposed copper matches with the contact.

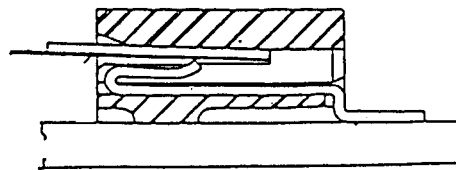
Choosing the correct connector eliminates flipping the FFC/FPC 180°. EXAMPLES:

		Bottom Contact	Top Contact
1.00mm	ZIF	6200	6224
0.50mm	ZIF	6210	6212
0.50mm	LIF	6222	6223

DUAL SIDED



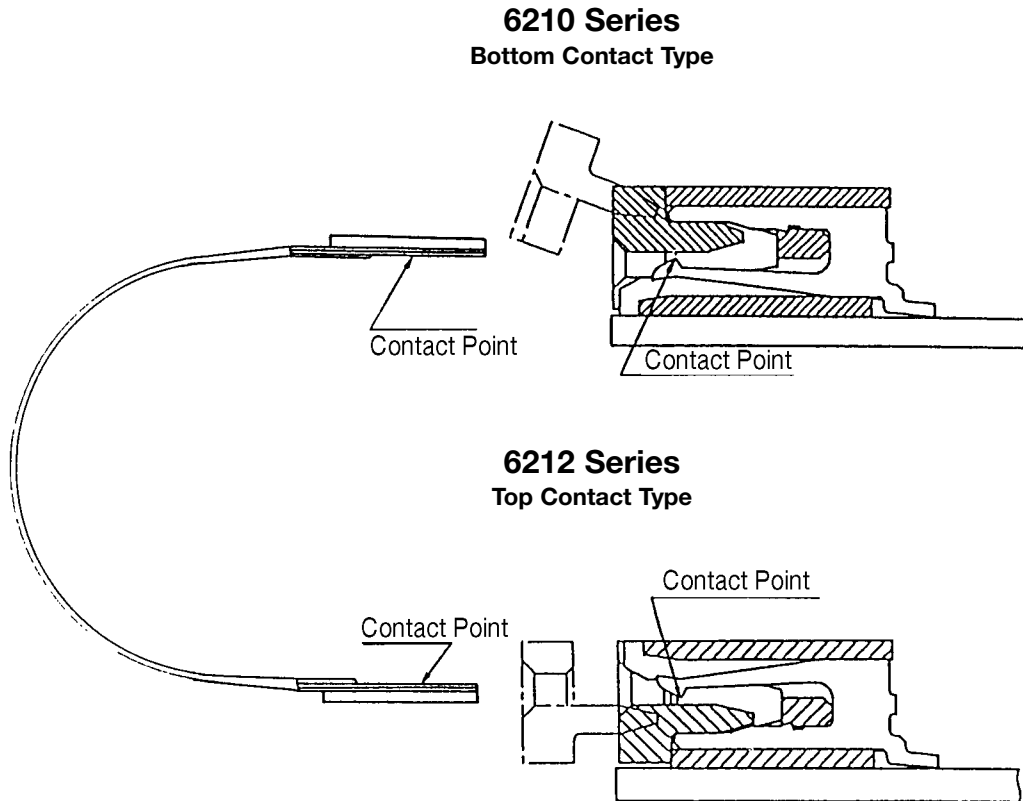
SINGLE SIDED-BOTTOM CONTACT



FUNCTIONAL COMPARISON OF DUAL AND SINGLE SIDED LIF CONTACTS

	Durability	Reliability	Cost	Orientation
Dual	Good	Better	Good	None
Single	Better	Good	Better	Yes

TYPICAL SINGLE SIDED CONTACT APPLICATION

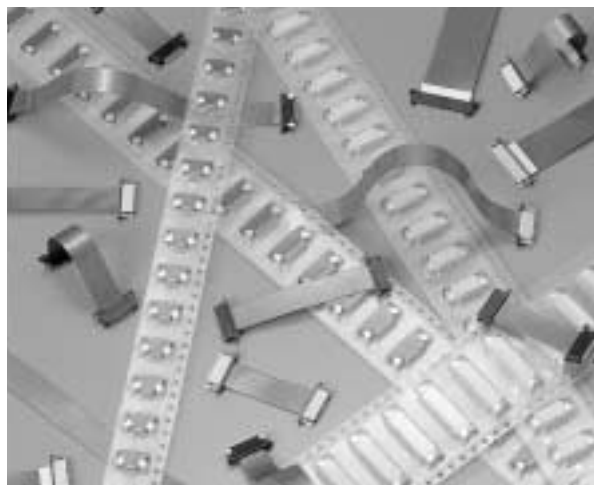


NEW FEATURES TO LOOK FOR:

- Standard 30-50 position 0.50mm pitch ZIF connectors (Series 6240)
- 0.90mm insulator height – lowest in the industry (Series 6250 and 6252)
- New cost effective 0.50mm LIF connectors (Series 6222 and 6223)
- Enhanced line of 1.00mm LIF connectors (Series 6226, 6227 and 6232)
- Integral pick and place flange (eliminates Kapton tape) for straight SMT application (Series 6232)
- New time saving flip-top ZIF (Series 6239 and 6240)
The flip-top/one-touch lock saves time in inserting or withdrawing the cable. Additionally, it saves valuable PCB space as the lock does not extend outside the footprint profile of the connector when opened.

0.50mm Pitch

Product Selector Guide



ST (Vertical)	ZIF	6214	6274		
	NON-ZIF (LIF)	6244	6266		
RA (Right Angle)	ZIF	6249	6250	6270	6252
		6272	6239	6269	6240
		6210	6260	6212	6262
	NON-ZIF (LIF)	6222	6223	6254	

We also can supply C/Ag (Carbon Silver) type connectors.

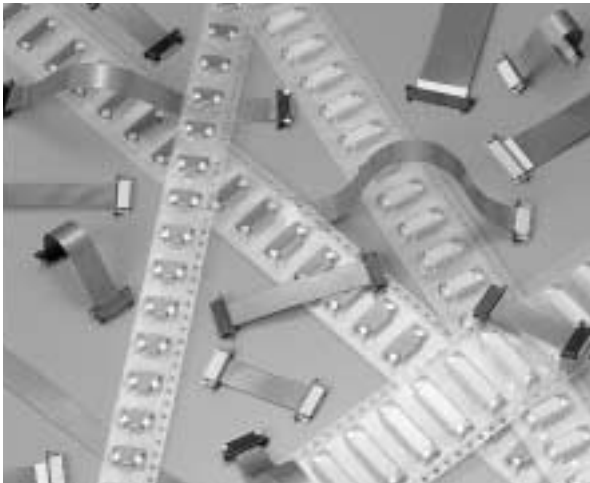
millimeters (inches)

Series	6249	6250	6270	6252	6272	6239	6269	6240	6210	6260
Type	ZIF RA SMT One-Touch Lock	ZIF RA SMT Slide-Lock	ZIF RA SMT Slide-Lock	ZIF RA SMT Slide-Lock	ZIF RA SMT Slide-Lock	ZIF RA SMT One-Touch Lock	ZIF RA SMT One-Touch Lock C/Ag type	ZIF RA SMT One-Touch Lock	ZIF RA SMT Slide-Lock	ZIF RA SMT Slide-Lock C/Ag type
Contact	Bottom	Bottom	Bottom	Top	Top	Bottom	Bottom	Bottom	Bottom	Bottom
Profile Height in mm	1.20 (0.047)	0.90 (0.035)	0.90 (0.035)	0.90 (0.035)	0.90 (0.035)	1.50 (0.059)	1.50 (0.059)	2.00 (0.079)	2.00 (0.079)	2.00 (0.079)
Number of Contacts	5-30	5-30	5-30	5-32	5-32	5-30	5-30	30-50	5-30, 33, 34, 35, 36, 40	5-30
Current Rating	0.4A Max.	0.4A Max.	0.4A Max.	0.4A Max.	0.4A Max.	0.4A Max.	5mA Max.	0.4A Max.	0.4A Max.	5mA Max.
Voltage Rating	50V Max.	50V Max.	50V Max.	50V Max.	50V Max.	50V Max.	15V Max.	50V Max.	50V Max.	15V Max.
Dielectric Withstanding Voltage	200Vrms	200Vrms	250Vrms	200Vrms	250Vrms	200Vrms	200Vrms	200Vrms	200Vrms	200Vrms
Contact Material	L Phosphor bronze Tin-Plated	L Phosphor bronze Tin-Plated	Phosphor bronze Gold-Plated	Phosphor bronze Tin-Plated	Phosphor bronze Gold-Plated	L Phosphor bronze Tin-Plated	L Phosphor bronze Tin-Plated	L Phosphor bronze Tin-Plated	L Phosphor bronze Tin-Plated	L Phosphor bronze Tin-Plated
Insulator Material	Heat resistance plastic									
Operating Temperature	-20°C~+85°C	-20°C~+70°C	-40°C~+85°C	-20°C~+85°C	-40°C~+85°C	-40°C~+85°C	-10°C~+60°C	-40°C~+85°C	-40°C~+85°C	-10°C~+60°C
FFC/FPC Thickness	0.2±0.03 (0.008±0.001)	0.2±0.03 (0.008±0.001)	0.2±0.03 (0.008±0.001)	0.2±0.03 (0.008±0.001)	0.2±0.03 (0.008±0.001)	0.3±0.05 (0.012±0.002)	0.3±0.05 (0.012±0.002)	0.3±0.05 (0.012±0.002)	0.3±0.05 (0.012±0.002)	0.3±0.05 (0.012±0.002)
Page	11-12	13-14	13-14	15-16	15-16	17-18	17-18	19-20	21-22	21-22

RA = Right Angle

0.50mm Pitch

Product Selector Guide



ST (Vertical)	ZIF	6214	6274		
	NON-ZIF (LIF)	6244	6266		
RA (Right Angle)	ZIF	6249	6250	6270	6252
		6272	6239	6269	6240
		6210	6260	6212	6262
	NON-ZIF (LIF)	6222	6223	6254	

We also can supply C/Ag (Carbon Silver) type connectors.

millimeters (inches)

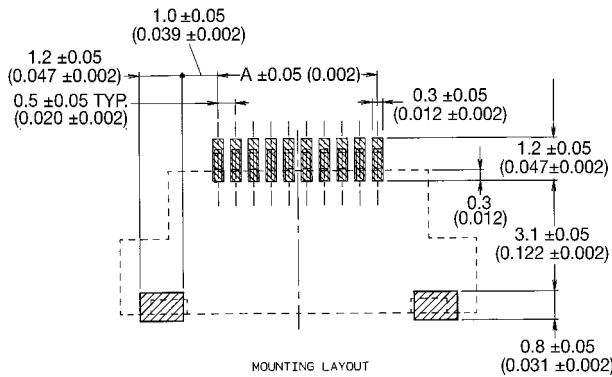
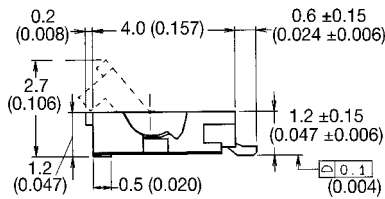
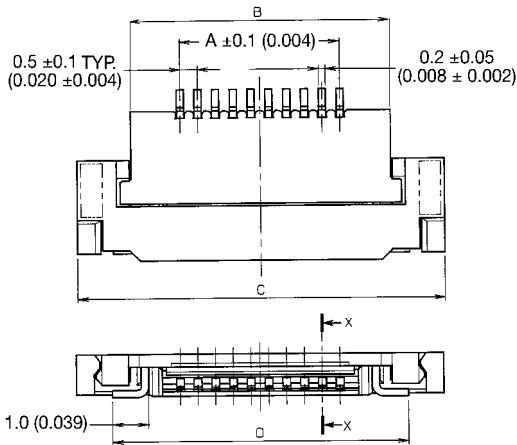
Series	6212	6262	6254	6222	6223	6214	6274	6244	6266	
Type	ZIF RA SMT Slide-Lock	ZIF RA SMT Slide-Lock C/Ag type	NON-ZIF (LIF) RA SMT	NON-ZIF (LIF) RA SMT	NON-ZIF (LIF) RA SMT	ZIF ST SMT Slide-Lock	ZIF ST SMT Slide-Lock	NON-ZIF (LIF) ST SMT	NON-ZIF (LIF) ST SMT	
Contact	Top	Top	Dual	Bottom	Top	Single	Single	Single	Dual	
Profile Height in mm	2.00 (0.079)	2.00 (0.079)	1.20 (0.047)	1.95 (0.077)	1.95 (0.077)	4.10 (0.161)	4.40 (0.173)	4.10 (0.61)	3.50 (0.138)	
Number of Contacts	5-30,33,34, 35,36,38,40	5-30	5-20	5-30	5-30	6-30	31-50	16,18,21, 23,24	5,10	
Current Rating	0.4A Max.	0.4A Max.	0.4A Max.	0.4A Max.	0.4A Max.	0.4A Max.	0.4A Max.	0.4A Max.	0.4A Max.	
Voltage Rating	50V Max.	50V Max.	50V Max.	50V Max.	50V Max.	50V Max.	50V Max.	50V Max.	50V Max.	
Dielectric Withstanding Voltage	200Vrms	200Vrms	200Vrms	200Vrms	200Vrms	200Vrms	200Vrms	200Vrms	200Vrms	
Contact Material	Phosphor bronze Tin-Plated	Phosphor bronze Tin-Plated	Phosphor bronze Tin-Plated	Phosphor bronze Tin-Plated	Phosphor bronze Tin-Plated	Phosphor bronze Tin-Plated	Phosphor bronze Tin-Plated	Phosphor bronze Tin-Plated	Phosphor bronze Tin-Plated	
Insulator Material	Heat resistance plastic									
Operating Temperature	-40°C~+85°C	-10°C~+60°C	-40°C~+85°C	-40°C~+85°C	-40°C~+85°C	-40°C~+85°C	-25°C~+85°C	-40°C~+85°C	-20°C~+85°C	
FFC/FPC Thickness	0.3±0.05 (0.012±0.002)	0.3±0.05 (0.012±0.002)	0.3±0.03 (0.012±0.001)	0.3±0.05 (0.012±0.002)	0.3±0.05 (0.012±0.002)	0.3±0.05 (0.012±0.002)	0.3±0.05 (0.012±0.002)	0.3±0.05 (0.012±0.002)	0.3±0.05 (0.012±0.002)	
Page	23 - 24	23 - 24	25 - 26	27 - 28	29 - 30	31 - 32	33 - 34	35 - 36	37 - 38	

RA = Right Angle ST = Straight

0.50mm Pitch

Series 6249 – Right Angle SMT One-Touch Lock

1.20mm Profile Height



No. of Contacts	Dimension			
	A	B	C	D
05	2.0 (0.079)	4.8 (0.189)	7.8 (0.307)	5.8 (0.228)
06	2.5 (0.099)	5.3 (0.209)	8.3 (0.327)	6.3 (0.248)
07	3.0 (0.118)	5.8 (0.228)	8.8 (0.346)	6.8 (0.268)
08	3.5 (0.138)	6.3 (0.248)	9.3 (0.366)	7.3 (0.287)
09	4.0 (0.157)	6.8 (0.268)	9.8 (0.386)	7.8 (0.307)
10	4.5 (0.177)	7.3 (0.287)	10.3 (0.406)	8.3 (0.327)
11	5.0 (0.197)	7.8 (0.307)	10.8 (0.425)	8.8 (0.346)
12	5.5 (0.217)	8.3 (0.327)	11.3 (0.445)	9.3 (0.366)
13	6.0 (0.236)	8.8 (0.346)	11.8 (0.465)	9.8 (0.386)
14	6.5 (0.256)	9.3 (0.366)	12.3 (0.484)	10.3 (0.406)
15	7.0 (0.276)	9.8 (0.386)	12.8 (0.504)	10.8 (0.425)
16	7.5 (0.295)	10.3 (0.406)	13.3 (0.524)	11.3 (0.445)
17	8.0 (0.315)	10.8 (0.425)	13.8 (0.543)	11.8 (0.465)
18	8.5 (0.335)	11.3 (0.445)	14.3 (0.563)	12.3 (0.484)
19	9.0 (0.354)	11.8 (0.465)	14.8 (0.583)	12.8 (0.504)
20	9.5 (0.374)	12.3 (0.484)	15.3 (0.602)	13.3 (0.524)
21	10.0 (0.394)	12.8 (0.504)	15.8 (0.622)	13.8 (0.543)
22	10.5 (0.413)	13.3 (0.524)	16.3 (0.642)	14.3 (0.563)
23	11.0 (0.433)	13.8 (0.543)	16.8 (0.661)	14.8 (0.583)
24	11.5 (0.453)	14.3 (0.563)	17.3 (0.681)	15.3 (0.602)
25	12.0 (0.472)	14.8 (0.583)	17.8 (0.701)	15.8 (0.622)
26	12.5 (0.492)	15.3 (0.602)	18.3 (0.720)	16.3 (0.642)
27	13.0 (0.512)	15.8 (0.622)	18.8 (0.740)	16.8 (0.661)
28	13.5 (0.531)	16.3 (0.642)	19.3 (0.760)	17.3 (0.681)
29	14.0 (0.551)	16.8 (0.661)	19.8 (0.780)	17.8 (0.701)
30	14.5 (0.571)	17.3 (0.681)	20.3 (0.799)	18.3 (0.720)

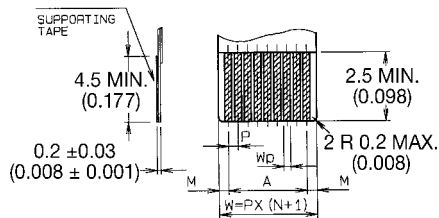
Specifications

- Number of Contacts – 5-30
- 2000 Connectors per Tape & Reel
- Voltage – 50V
- Current Rating – 0.4 amp max.
- Dielectric Withstanding Voltage – 200V RMS min.
- Operating Temperature – (-20°C - +85°C)
- Contact Material – phosphor bronze (tin-lead plated)
- Insulator Material – LCP
- Slider Material – PPS, natural color
- FFC/FPC Thickness – 0.2 ± 0.03mm (0.008 ± 0.001")
- Profile Height – 1.20mm

0.2mm - FPC

	FPC	
	1	2
M	0.5±0.12	0.5±0.1
P	0.5±0.12	0.5±0.05
A	A±0.03	B±0.05
W	W±0.07	W±0.07
Wp	0.35 ^{+0.04} _{-0.03}	0.35±0.05

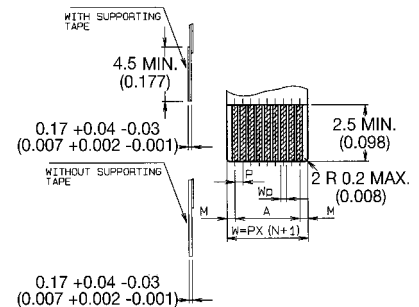
Applicable FPC



0.17mm - FPC

	FPC	
	1	2
M	0.5±0.12	0.5±0.1
P	0.5±0.02	0.5±0.05
A	A±0.03	B±0.05
W	W±0.07	W±0.07
Wp	0.35 ^{+0.04} _{-0.03}	0.35±0.05

Applicable FPC



HOW TO ORDER

04

6249

0XX

00X

800

Number of Contacts

Variation Code

0 = 0.2mm FPC

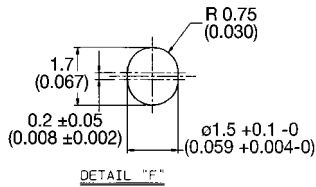
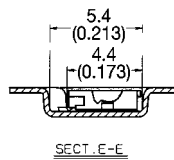
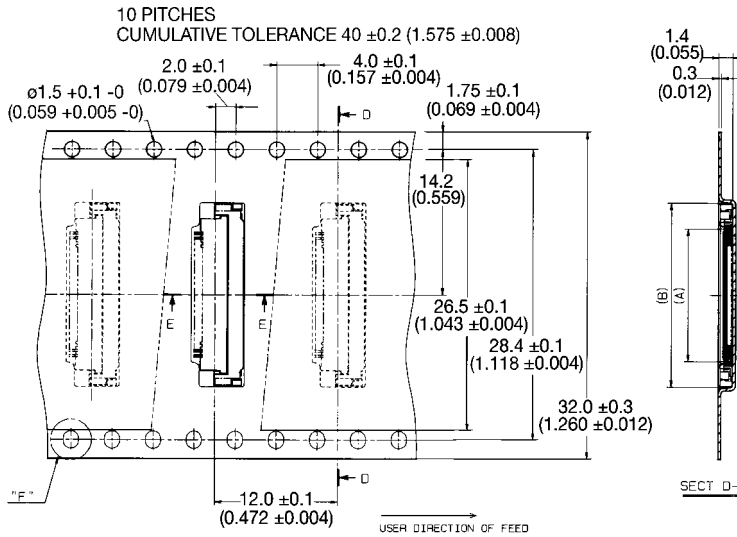
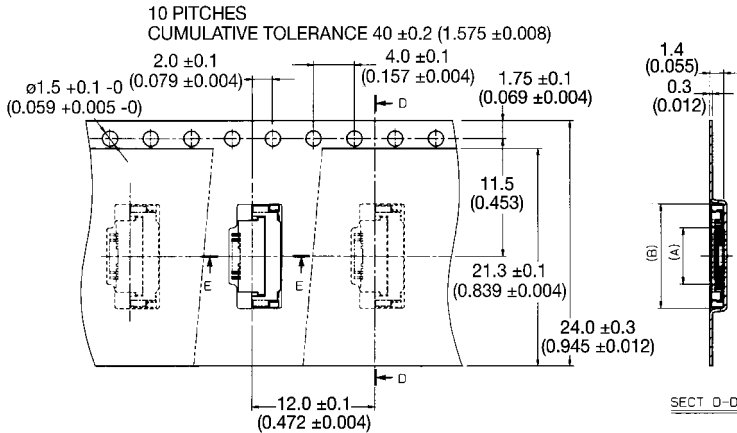
1 = 0.17mm FPC

2000 Connectors per Tape and Reel.

0.50mm Pitch



Series 6249 - Tape and Reel Package



No. of Contacts	Dimension	
	A	B
05	3.0 (0.118)	8.0 (0.315)
06	3.5 (0.138)	8.5 (0.335)
07	4.0 (0.157)	9.0 (0.354)
08	4.5 (0.177)	9.5 (0.374)
09	5.0 (0.197)	10.0 (0.394)
10	5.5 (0.217)	10.5 (0.413)
11	6.0 (0.236)	11.0 (0.433)
12	6.5 (0.256)	11.5 (0.453)
13	7.0 (0.276)	12.0 (0.472)
14	7.5 (0.295)	12.5 (0.492)
15	8.0 (0.315)	13.0 (0.512)
16	8.5 (0.335)	13.5 (0.531)
17	9.0 (0.354)	14.0 (0.551)
18	9.5 (0.374)	14.5 (0.571)
19	10.0 (0.394)	15.0 (0.591)

No. of Contacts	Dimension	
	A	B
20	10.5 (0.413)	15.5 (0.610)
21	11.0 (0.433)	16.0 (0.630)
22	11.5 (0.453)	16.5 (0.650)
23	12.0 (0.472)	17.0 (0.669)
24	12.5 (0.492)	17.5 (0.689)
25	13.0 (0.512)	18.0 (0.709)
26	13.5 (0.531)	18.5 (0.728)
27	14.0 (0.551)	19.0 (0.748)
28	14.5 (0.571)	19.5 (0.768)
29	15.0 (0.591)	20.0 (0.787)
30	15.5 (0.610)	20.5 (0.807)

HOW TO ORDER

04

6249

0XX

00X

800

Number of Contacts

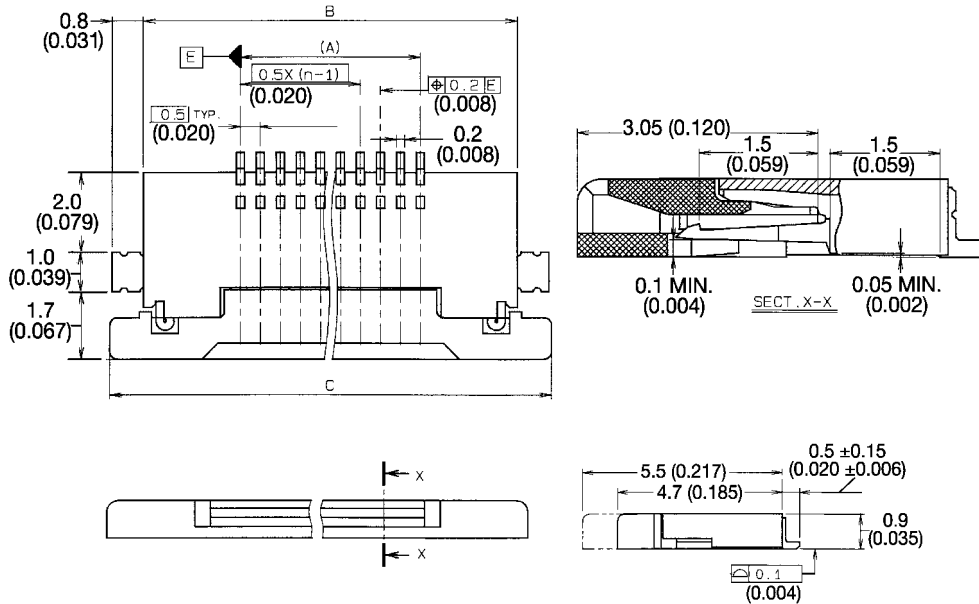
Variation Code

0 = 0.2mm FPC
1 = 0.17mm FPC

2000 Connectors per Tape and Reel.

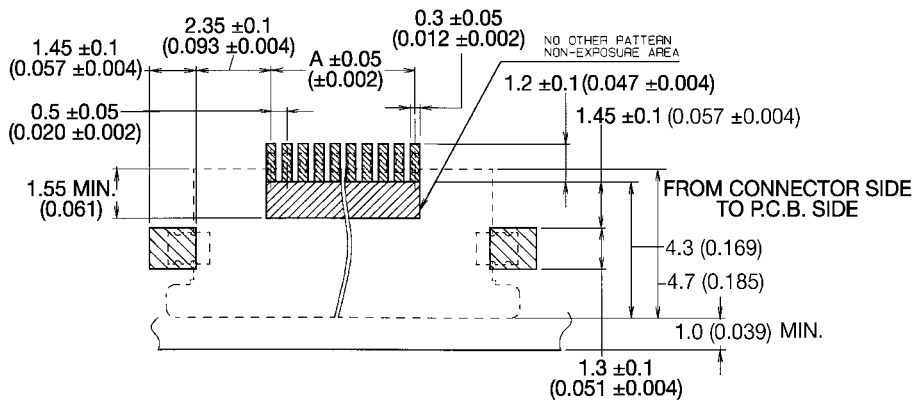
0.50mm Pitch

Series 6250/6270 - ZIF Right Angle SMT (Bottom Contact Type) 0.90mm Profile Height



Specifications

- Number of Contacts – 5-30
- 2000 Connectors per Tape & Reel
- Voltage – 50V
- Current Rating – 0.4 amp max.
- Dielectric Withstanding Voltage – 200V RMS min.
- Operating Temperature – (-20°C - +70°C)
- Contact Material – phosphor bronze (tin-lead plated)
- Insulator Material – UL 94 V-O plastic
- Slider Material – plastic (UL 94 V-O)
- FFC/FPC Thickness – 0.2 ± 0.03mm (0.008 ± 0.001")
- Profile Height – 0.90mm
- Contact sales office for other available pin counts

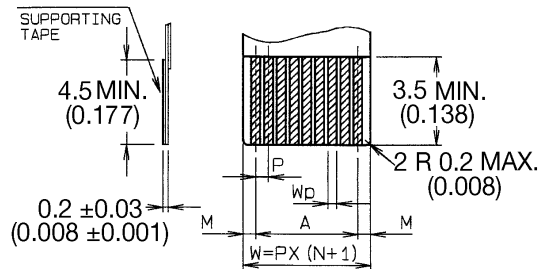


No. of Contacts	Dimension		
	A	B	C
05	2.0 (0.079)	6.9 (0.272)	8.6 (0.339)
08	3.5 (0.138)	8.4 (0.331)	10.1 (0.398)
09	4.0 (0.157)	8.9 (0.350)	10.6 (0.417)
13	6.0 (0.236)	10.9 (0.429)	12.6 (0.496)
15	7.0 (0.276)	11.9 (0.469)	13.6 (0.535)
18	8.5 (0.335)	13.4 (0.528)	15.1 (0.594)
20	9.5 (0.374)	14.4 (0.567)	16.1 (0.634)

MOUNTING LAYOUT (CONN. MOUNTING SIDE)

	FPC	
	1	2
M	0.5 ± 0.12	0.5 ± 0.1
P	0.5 ± 0.02	0.5 ± 0.05
A	A ± 0.03	A ± 0.05
W	W ± 0.07	W ± 0.07
Wp	0.35 ^{+0.04} _{-0.03}	0.35 ± 0.05

Applicable FPC



HOW TO ORDER

04

62XX

0XX

000

800

Series Number

6250
6270

Number of Contacts

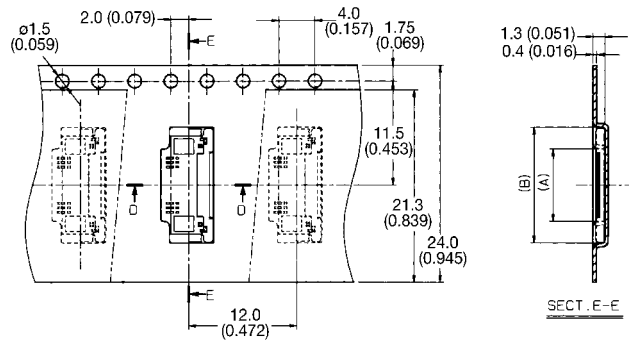
Finish Code

800 = Series 6250 – (Tin-Plated)
883 = Series 6270 – (Au=0.1mm)

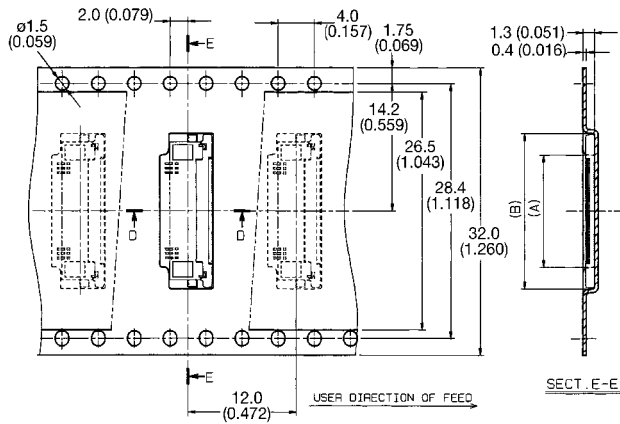
2000 Connectors per Tape and Reel.

0.50mm Pitch

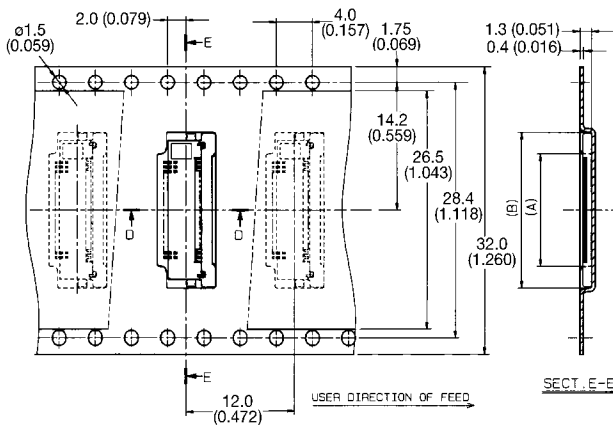
Series 6250/6270 - Tape and Reel Package



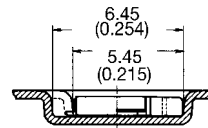
No. of Contacts	Dimension	
	A	B
05	4.0 (0.157)	8.8 (0.346)
06	4.5 (0.177)	9.3 (0.366)
07	5.0 (0.197)	9.8 (0.386)
08	5.5 (0.217)	10.3 (0.406)
09	6.0 (0.236)	10.8 (0.425)
10	6.5 (0.256)	11.3 (0.445)
11	7.0 (0.276)	11.8 (0.465)
12	7.5 (0.295)	12.3 (0.484)
13	8.0 (0.315)	12.8 (0.504)
14	8.5 (0.335)	13.3 (0.524)



No. of Contacts	Dimension	
	A	B
15	9.0 (0.354)	13.8 (0.543)
16	9.5 (0.374)	14.3 (0.563)
17	10.0 (0.394)	14.8 (0.583)
18	10.5 (0.413)	15.3 (0.602)
19	11.0 (0.433)	15.8 (0.622)
20	11.5 (0.453)	16.3 (0.642)



No. of Contacts	Dimension	
	A	B
21	12.0 (0.472)	16.8 (0.661)
22	12.5 (0.492)	17.3 (0.681)
23	13.0 (0.512)	17.8 (0.701)
24	13.5 (0.531)	18.3 (0.720)
25	14.0 (0.551)	18.8 (0.740)
26	14.5 (0.571)	19.3 (0.760)
27	15.0 (0.591)	19.8 (0.780)
28	15.5 (0.610)	20.3 (0.799)
29	16.0 (0.630)	20.8 (0.819)
30	16.5 (0.650)	21.3 (0.839)



SECT. D-D

HOW TO ORDER

04

62XX

0XX

000

800

Series Number

6250
6270

Number of Contacts

Finish Code

800 = Series 6250 (Tin-Plated)
883 = Series 6270 (Au=0.1mm)

2000 Connectors per Tape and Reel.

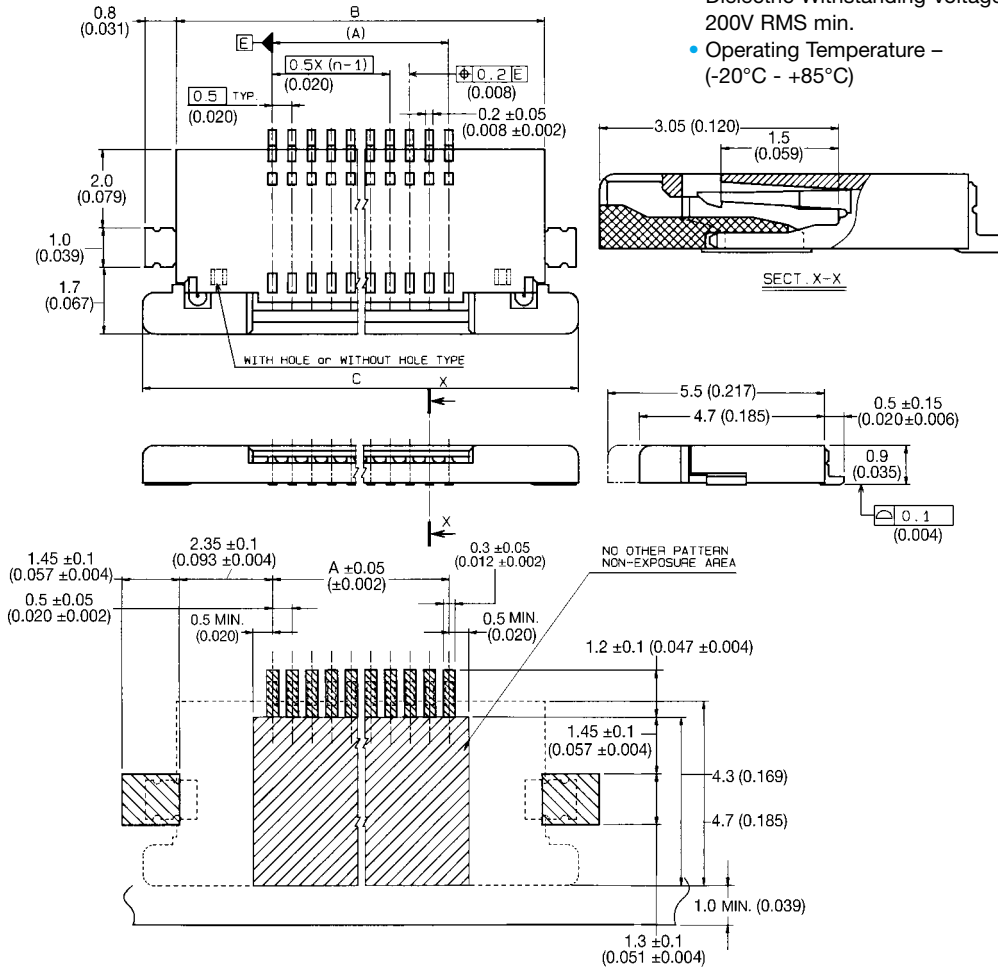
0.50mm Pitch

Series 6252/6272 - ZIF Right Angle SMT (Top Contact Type) 0.90mm Profile Height



Specifications

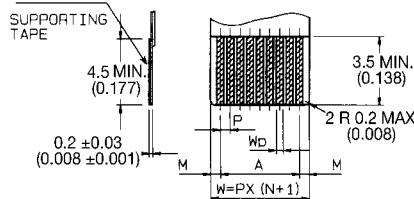
- Number of Contacts – 5-32
- 2000 Connectors per Tape & Reel
- Voltage – 50V
- Current Rating – 0.4 amp max.
- Dielectric Withstanding Voltage – 200V RMS min.
- Operating Temperature – (-20°C - +85°C)
- Contact Material – phosphor bronze (tin-lead plated)
- Insulator Material – plastic (UL 94 V-O)
- Slider Material – plastic (UL 94 V-O)
- FFC/FPC Thickness – 0.2 ±0.03mm (0.008 ±0.001")
- Profile Height – 0.90mm



MOUNTING LAYOUT

FPC		
	1	2
M	0.5±0.12	0.5±0.1
P	0.5±0.02	0.5±0.05
A	A±0.03	A±0.05
W	W±0.07	W±0.07
Wp	0.35 ^{+0.04} _{-0.03}	0.35 ^{+0.05}

Applicable FPC



No. of Contacts	Dimension		
	A	B	C
05	2.0 (0.079)	6.9 (0.272)	8.6 (0.339)
06	2.5 (0.098)	7.4 (0.291)	9.1 (0.358)
07	3.0 (0.118)	7.9 (0.311)	9.6 (0.378)
08	3.5 (0.138)	8.4 (0.331)	10.1 (0.398)
09	4.0 (0.157)	8.9 (0.350)	10.6 (0.417)
10	4.5 (0.177)	9.4 (0.370)	11.1 (0.437)
11	5.0 (0.197)	9.9 (0.390)	11.6 (0.457)
12	5.5 (0.217)	10.4 (0.409)	12.1 (0.476)
13	6.0 (0.236)	10.9 (0.429)	12.6 (0.496)
14	6.5 (0.256)	11.4 (0.449)	13.1 (0.516)
15	7.0 (0.276)	11.9 (0.469)	13.6 (0.535)
16	7.5 (0.295)	12.4 (0.488)	14.1 (0.555)
17	8.0 (0.315)	12.9 (0.508)	14.6 (0.575)
18	8.5 (0.335)	13.4 (0.528)	15.1 (0.594)
19	9.0 (0.354)	13.9 (0.547)	15.6 (0.614)
20	9.5 (0.374)	14.4 (0.567)	16.1 (0.634)
21	10.0 (0.394)	14.9 (0.587)	16.6 (0.654)
22	10.5 (0.413)	15.4 (0.606)	17.1 (0.673)
23	11.0 (0.433)	15.9 (0.626)	17.6 (0.693)
24	11.5 (0.453)	16.4 (0.646)	18.1 (0.713)
25	12.0 (0.472)	16.9 (0.665)	18.6 (0.732)
26	12.5 (0.492)	17.4 (0.685)	19.1 (0.752)
27	13.0 (0.512)	17.9 (0.705)	19.6 (0.772)
28	13.5 (0.531)	18.4 (0.724)	20.1 (0.791)
29	14.0 (0.551)	18.9 (0.744)	20.6 (0.811)
30	14.5 (0.571)	19.4 (0.764)	21.1 (0.831)
31	15.0 (0.591)	19.9 (0.783)	21.6 (0.850)
32	15.5 (0.610)	20.4 (0.803)	22.1 (0.870)

HOW TO ORDER

04

62XX

0XX

000

800

Series Number
6252
6272

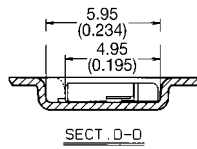
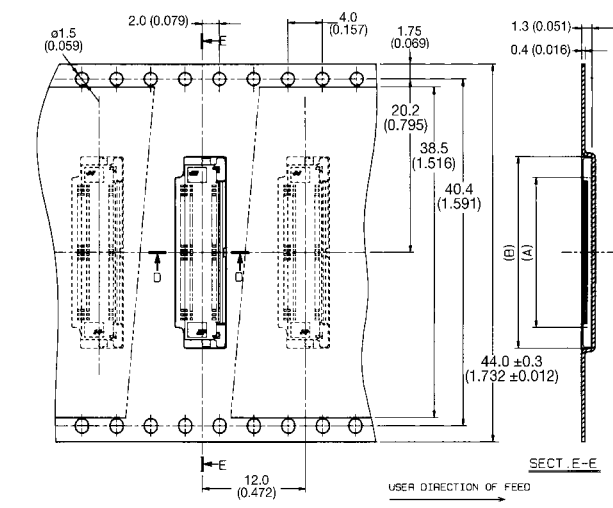
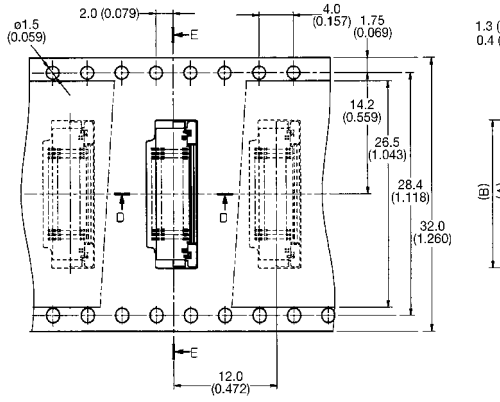
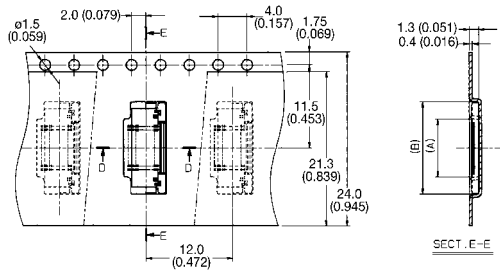
Number of Contacts

Finish Code
800 = Series 6252
(Tin-Plated)
883 = Series 6272
(Au=0.1mm)

2000 Connectors per Tape and Reel.

0.50mm Pitch

Series 6252/6272 - Tape and Reel Package



No. of Contacts	Dimension	
	A	B
05	4.0 (0.157)	8.8 (0.346)
06	4.5 (0.177)	9.3 (0.366)
07	5.0 (0.197)	9.8 (0.386)
08	5.5 (0.217)	10.3 (0.406)
09	6.0 (0.236)	10.8 (0.425)
10	6.5 (0.256)	11.3 (0.445)
11	7.0 (0.276)	11.8 (0.465)
12	7.5 (0.295)	12.3 (0.484)
13	8.0 (0.315)	12.8 (0.504)
14	8.5 (0.335)	13.3 (0.524)

No. of Contacts	Dimension	
	A	B
15	9.0 (0.354)	13.8 (0.543)
16	9.5 (0.374)	14.3 (0.563)
17	10.0 (0.394)	14.8 (0.583)
18	10.5 (0.413)	15.3 (0.602)
19	11.0 (0.433)	15.8 (0.622)
20	11.5 (0.453)	16.3 (0.642)
21	12.0 (0.472)	16.8 (0.661)
22	12.5 (0.492)	17.3 (0.681)
23	13.0 (0.512)	17.8 (0.701)
24	13.5 (0.531)	18.3 (0.720)
25	14.0 (0.551)	18.8 (0.740)
26	14.5 (0.571)	19.3 (0.760)
27	15.0 (0.591)	19.8 (0.780)
28	15.5 (0.610)	20.3 (0.799)
29	16.0 (0.630)	20.8 (0.819)
30	16.5 (0.650)	21.3 (0.839)

No. of Contacts	Dimension	
	A	B
31	17.0 (0.669)	21.8 (0.858)
32	17.5 (0.689)	22.3 (0.878)

HOW TO ORDER

04

62XX

0XX

000

800

Series Number
6252
6272

Number of Contacts

Finish Code
800 = Series 6252 (TiN-Plated)
883 = Series 6272 (Au=0.1mm)

2000 Connectors per Tape and Reel.

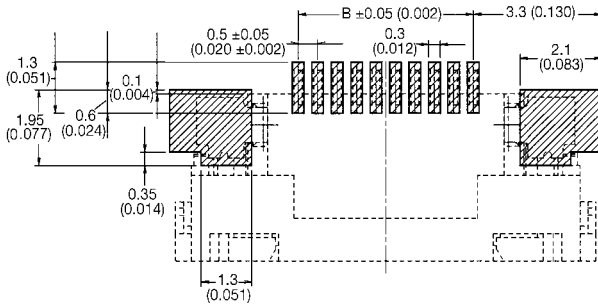
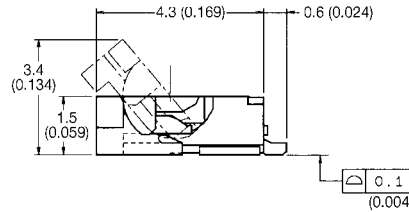
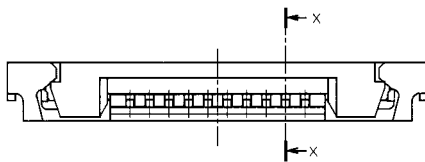
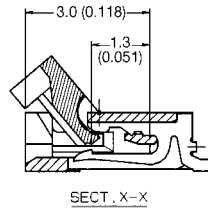
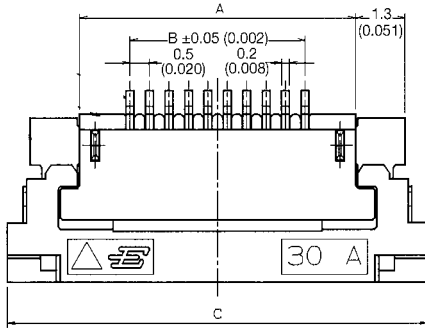
0.50mm Pitch

Series 6239/6269 - ZIF Right Angle SMT One-Touch Lock (Bottom Contact Type)



Specifications

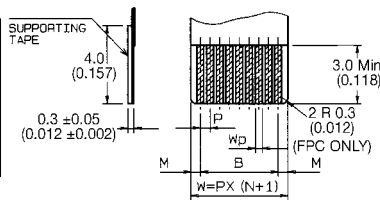
- Number of Contacts – 5-30
- 2000 Connectors per Tape & Reel
- Voltage – 50V
- Current Rating – 0.4 amp max.
- Dielectric Withstanding Voltage – 200V RMS min.
- Operating Temperature – (-20°C - +85°C)
- Contact Material – phosphor bronze (tin-lead plated)
- Insulator Material – nylon 46, natural color
- Slider Material – PPS, natural color
- FFC/FPC Thickness – 0.3 ±0.05mm (0.012 ±0.002")
- Profile Height – 1.50mm



MOUNTING LAYOUT (CONN. MOUNTING SIDE)

	FFC		FPC	
	1	2	1	2
M	0.5±0.1	0.5±0.08	0.5±0.12	0.5±0.1
P	0.5±0.03	0.5±0.05	0.5±0.02	0.5±0.05
B	B±0.03	B±0.05	B±0.03	B±0.05
W	W±0.07	W±0.07	W±0.07	W±0.07
Wp	0.3 ^{+0.05} _{-0.02}	0.3 ^{+0.05} _{-0.02}	0.35 ^{+0.04} _{-0.03}	0.35±0.05

Applicable FFC, FPC



No. of Contacts	Dimension		
	A	B	C
05	4.6 (0.181)	2.0 (0.079)	8.3 (0.327)
06	5.1 (0.201)	2.5 (0.098)	8.8 (0.346)
07	5.6 (0.220)	3.0 (0.118)	9.3 (0.366)
08	6.1 (0.240)	3.5 (0.138)	9.8 (0.386)
09	6.6 (0.260)	4.0 (0.157)	10.3 (0.406)
10	7.1 (0.280)	4.5 (0.177)	10.8 (0.425)
11	7.6 (0.299)	5.0 (0.197)	11.3 (0.445)
12	8.1 (0.319)	5.5 (0.217)	11.8 (0.465)
13	8.6 (0.339)	6.0 (0.236)	12.3 (0.484)
14	9.1 (0.358)	6.5 (0.256)	12.8 (0.504)
15	9.6 (0.378)	7.0 (0.276)	13.3 (0.524)
16	10.1 (0.398)	7.5 (0.295)	13.8 (0.543)
17	10.6 (0.417)	8.0 (0.315)	14.3 (0.563)
18	11.1 (0.437)	8.5 (0.335)	14.8 (0.583)
19	11.6 (0.457)	9.0 (0.354)	15.3 (0.602)
20	12.1 (0.476)	9.5 (0.374)	15.8 (0.622)
21	12.6 (0.496)	10.0 (0.394)	16.3 (0.642)
22	13.1 (0.516)	10.5 (0.413)	16.8 (0.661)
23	13.6 (0.535)	11.0 (0.433)	17.3 (0.681)
24	14.1 (0.555)	11.5 (0.453)	17.8 (0.701)
25	14.6 (0.575)	12.0 (0.472)	18.3 (0.720)
26	15.1 (0.594)	12.5 (0.492)	18.8 (0.740)
27	15.6 (0.614)	13.0 (0.512)	19.3 (0.760)
28	16.1 (0.634)	13.5 (0.531)	19.8 (0.780)
29	16.6 (0.654)	14.0 (0.551)	20.3 (0.799)
30	17.1 (0.673)	14.5 (0.571)	20.8 (0.819)

HOW TO ORDER

04

62XX

0XX

001

800

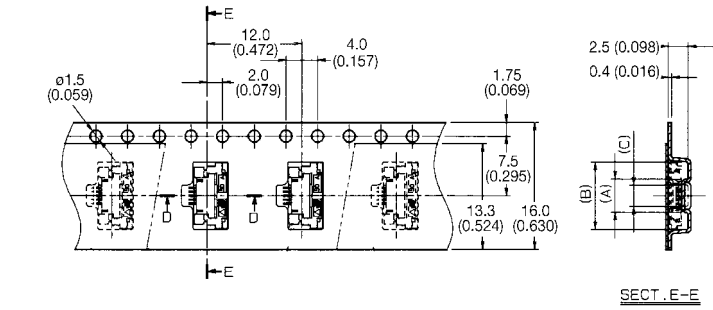
Series Number
6239
6269 (C/Ag type)

Number of Contacts

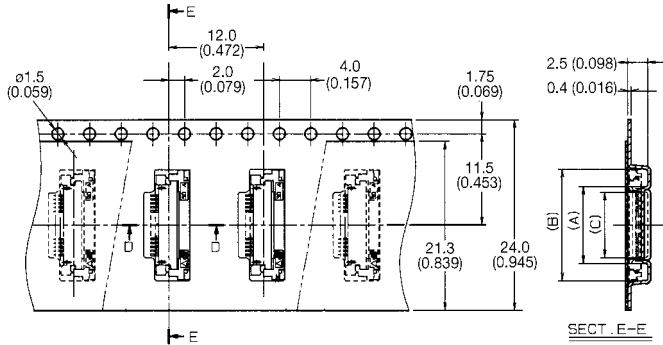
2000 Connectors per Tape and Reel.

0.50mm Pitch

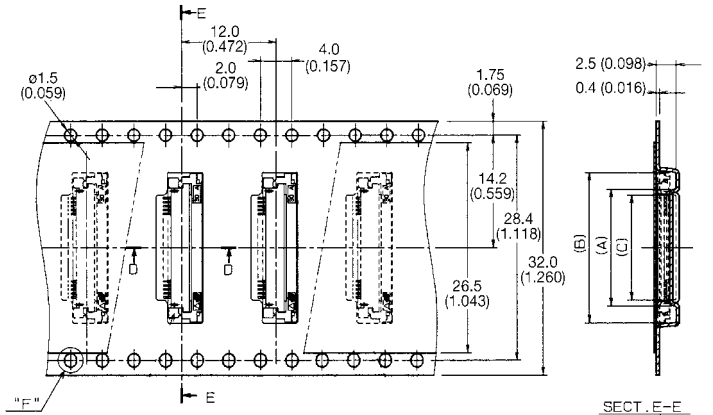
Series 6239/6269 - Tape and Reel Package



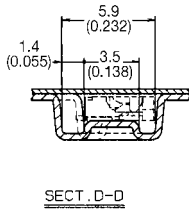
No. of Contacts	Dimension		
	A	B	C
05	4.2 (0.165)	8.5 (0.335)	2.7 (0.106)



No. of Contacts	Dimension		
	A	B	C
06	4.7 (0.185)	9.0 (0.354)	3.2 (0.126)
07	5.2 (0.205)	9.5 (0.374)	3.7 (0.146)
08	5.7 (0.224)	10.0 (0.394)	4.2 (0.165)
09	6.2 (0.244)	10.5 (0.413)	4.7 (0.185)
10	6.7 (0.264)	11.0 (0.433)	5.2 (0.205)
11	7.2 (0.283)	11.5 (0.453)	5.7 (0.224)
12	7.7 (0.303)	12.0 (0.472)	6.2 (0.244)
13	8.2 (0.323)	12.5 (0.492)	6.7 (0.264)
14	8.7 (0.343)	13.0 (0.512)	7.2 (0.283)
15	9.2 (0.362)	13.5 (0.531)	7.7 (0.303)
16	9.7 (0.382)	14.0 (0.551)	8.2 (0.323)
17	10.2 (0.402)	14.5 (0.571)	8.7 (0.343)
18	10.7 (0.421)	15.0 (0.591)	9.2 (0.362)
19	11.2 (0.441)	15.5 (0.610)	9.7 (0.382)
20	11.7 (0.461)	16.0 (0.630)	10.2 (0.402)
21	12.2 (0.480)	16.5 (0.650)	10.7 (0.421)



No. of Contacts	Dimension		
	A	B	C
22	12.7 (0.500)	17.0 (0.669)	11.2 (0.441)
23	13.2 (0.520)	17.5 (0.689)	11.7 (0.461)
24	13.7 (0.539)	18.0 (0.709)	12.2 (0.480)
25	14.2 (0.559)	18.5 (0.728)	12.7 (0.500)
26	14.7 (0.579)	19.0 (0.748)	13.2 (0.520)
27	15.2 (0.598)	19.5 (0.768)	13.7 (0.539)
28	15.7 (0.618)	20.0 (0.787)	14.2 (0.559)
29	16.2 (0.638)	20.5 (0.807)	14.7 (0.579)
30	16.7 (0.658)	21.0 (0.827)	15.2 (0.598)



HOW TO ORDER

04

62XX

0XX

001

800

Series Number
6239
6269 (C/Ag type)

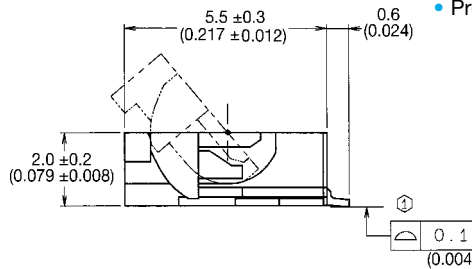
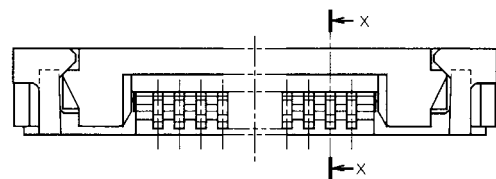
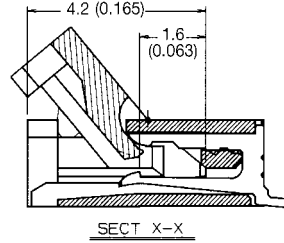
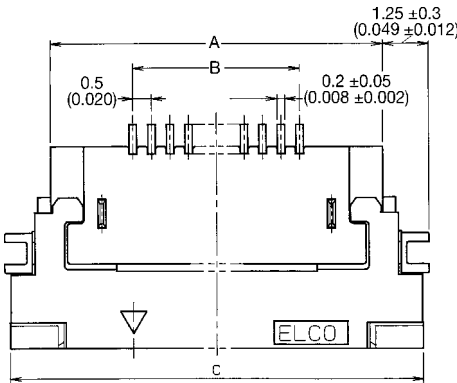
Number of Contacts

2000 Connectors per Tape and Reel.



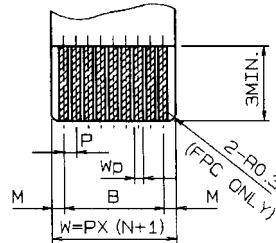
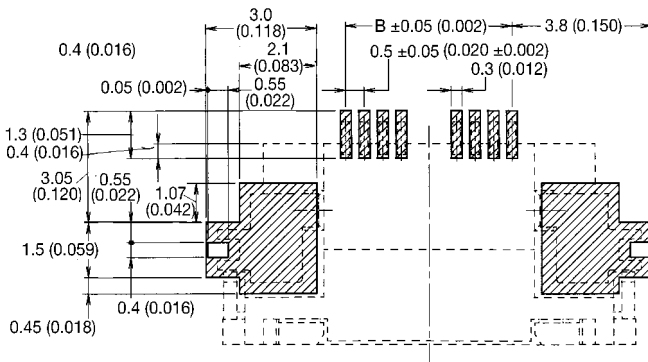
0.50mm Pitch

Series 6240 - ZIF Right Angle SMT One-Touch Lock (Bottom Contact Type)



Specifications

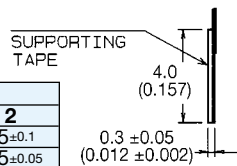
- Number of Contacts – 30-50
- 2000 Connectors per Tape & Reel
- Voltage – 50V
- Current Rating – 0.4 amp max.
- Dielectric Withstanding Voltage – 200V RMS min.
- Operating Temperature – (-40°C - +85°C)
- Contact Material – phosphor bronze (tin-lead plated)
- Insulator Material – PPS, natural color
- Slider Material – PPS, natural color
- FFC/FPC Thickness – 0.3 ± 0.05mm (0.012 ± 0.002")
- Profile Height – 2.00mm



No. of Contacts	Dimension		
	A	B	C
30	19.0 (0.748)	14.5 (0.571)	21.2 (0.835)
31	19.5 (0.768)	15.0 (0.591)	21.7 (0.854)
32	20.0 (0.787)	15.5 (0.610)	22.2 (0.874)
33	20.5 (0.807)	16.0 (0.630)	22.7 (0.894)
34	21.0 (0.827)	16.5 (0.650)	23.2 (0.913)
35	21.5 (0.846)	17.0 (0.669)	23.7 (0.933)
36	22.0 (0.866)	17.5 (0.689)	24.2 (0.953)
37	22.5 (0.886)	18.0 (0.709)	24.7 (0.972)
38	23.0 (0.906)	18.5 (0.728)	25.2 (0.992)
39	23.5 (0.925)	19.0 (0.748)	25.7 (1.012)
40	24.0 (0.945)	19.5 (0.768)	26.2 (1.031)
41	24.5 (0.965)	20.0 (0.787)	26.7 (1.051)
42	25.0 (0.984)	20.5 (0.807)	27.2 (1.071)
43	25.5 (1.004)	21.0 (0.827)	27.7 (1.091)
44	26.0 (1.024)	21.5 (0.846)	28.2 (1.110)
45	26.5 (1.043)	22.0 (0.866)	28.7 (1.130)
46	27.0 (1.063)	22.5 (0.886)	29.2 (1.150)
47	27.5 (1.083)	23.0 (0.906)	29.7 (1.169)
48	28.0 (1.102)	23.5 (0.925)	30.2 (1.189)
49	28.5 (1.122)	24.0 (0.945)	30.7 (1.209)
50	29.0 (1.142)	24.5 (0.965)	31.2 (1.228)

	FFC		FPC	
	1	2	1	2
M	0.5±0.1	0.5±0.08	0.5±0.12	0.5±0.1
P	0.5±0.03	0.5±0.05	0.5±0.02	0.5±0.05
B	B±0.03	B±0.05	B±0.03	B±0.05
W	W±0.07	W±0.07	W±0.07	W±0.07
Wp	0.3 ^{+0.05} _{-0.02}	0.3 ^{+0.05} _{-0.02}	0.35 ^{+0.04} _{-0.03}	0.35±0.05

Applicable FFC, FPC



HOW TO ORDER

04

6240

0XX

001

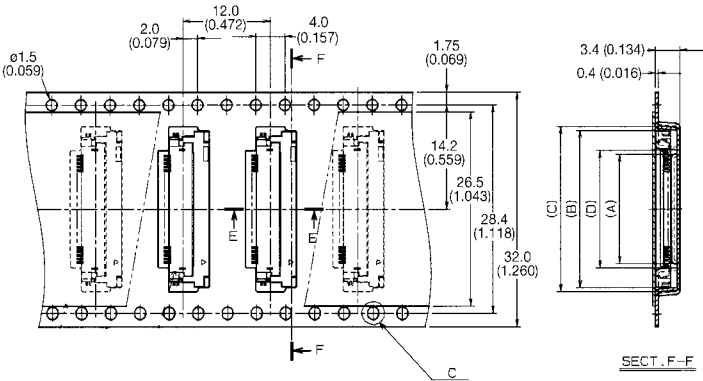
800

Number of Contacts

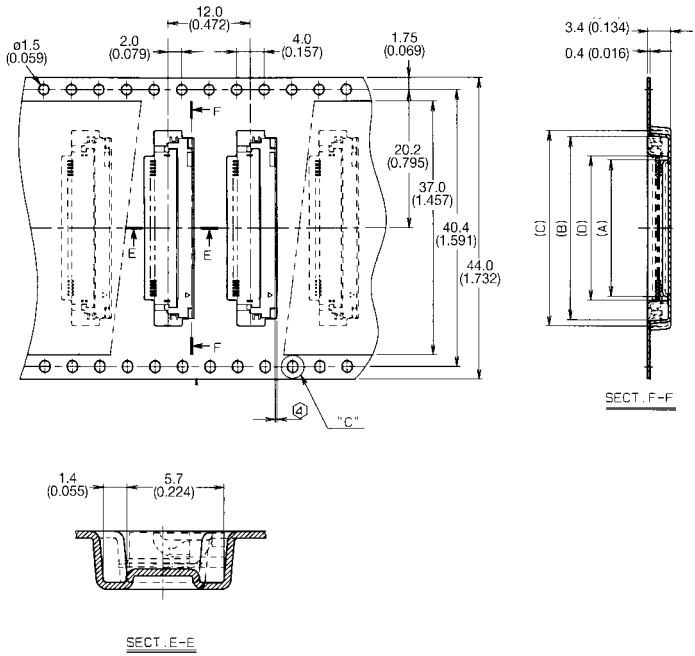
2000 Connectors per Tape and Reel.

0.50mm Pitch

Series 6240 – Tape and Reel Package



No. of Contacts	Dimension			
	A	B	C	D
30	14.9 (0.587)	21.4 (0.843)	22.5 (0.886)	16.0 (0.630)



No. of Contacts	Dimension			
	A	B	C	D
31	15.4 (0.606)	21.9 (0.862)	23.0 (0.906)	16.5 (0.650)
32	15.9 (0.626)	22.4 (0.882)	23.5 (0.925)	17.0 (0.669)
33	16.4 (0.646)	22.9 (0.902)	24.0 (0.945)	17.5 (0.689)
34	16.9 (0.665)	23.4 (0.921)	24.5 (0.965)	18.0 (0.709)
35	17.4 (0.685)	23.9 (0.941)	25.0 (0.984)	18.5 (0.728)
36	17.9 (0.705)	24.4 (0.961)	25.5 (1.004)	19.0 (0.748)
37	18.4 (0.724)	24.9 (0.980)	26.0 (1.024)	19.5 (0.768)
38	18.9 (0.744)	25.4 (1.000)	26.5 (1.043)	20.0 (0.787)
39	19.4 (0.764)	25.9 (1.020)	27.0 (1.063)	20.5 (0.807)
40	19.9 (0.783)	26.4 (1.039)	27.5 (1.083)	21.0 (0.827)
41	20.4 (0.803)	26.9 (1.059)	28.0 (1.102)	21.5 (0.846)
42	20.9 (0.823)	27.4 (1.079)	28.5 (1.122)	22.0 (0.866)
43	21.4 (0.843)	27.9 (1.098)	29.0 (1.142)	22.5 (0.886)
44	21.9 (0.862)	28.4 (1.118)	29.5 (1.161)	23.0 (0.906)
45	22.4 (0.882)	28.9 (1.138)	30.0 (1.181)	23.5 (0.925)
46	22.9 (0.902)	29.4 (1.157)	30.5 (1.201)	24.0 (0.945)
47	23.4 (0.921)	29.9 (1.177)	31.0 (1.220)	24.5 (0.965)
48	23.9 (0.941)	30.4 (1.197)	31.5 (1.240)	25.0 (0.984)
49	24.4 (0.961)	30.9 (1.217)	32.0 (1.260)	25.5 (1.004)
50	24.9 (0.980)	31.4 (1.236)	32.5 (1.280)	26.0 (1.024)

HOW TO ORDER

04

6240

0XX

001

800

Number of Contacts

2000 Connectors per Tape and Reel.



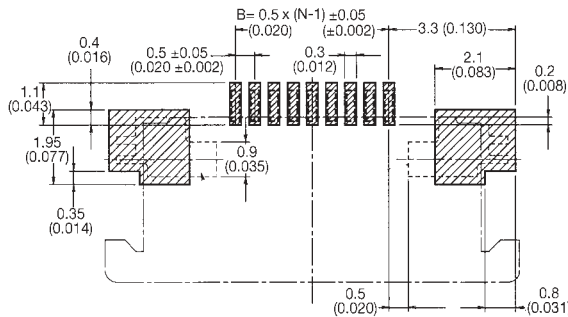
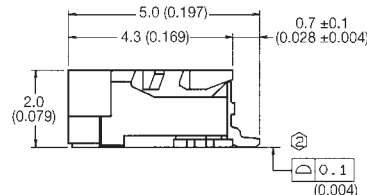
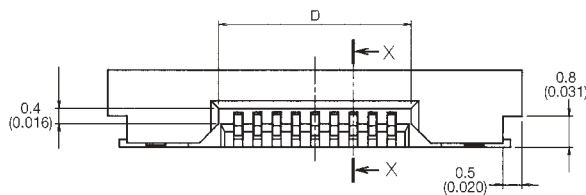
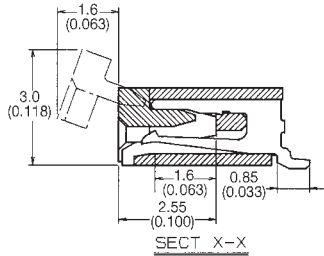
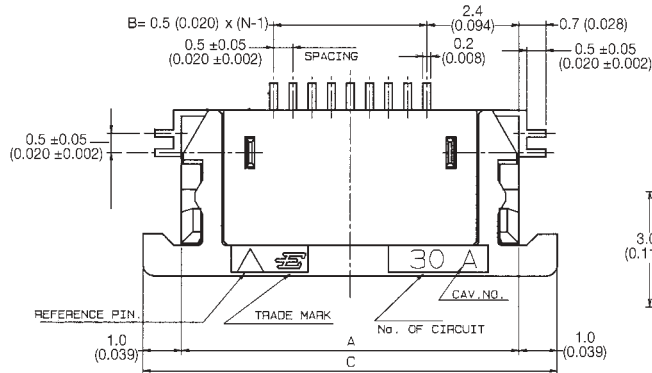
0.50mm Pitch

Series 6210/6260 – ZIF Right Angle SMT (Bottom Contact Type)



Specifications

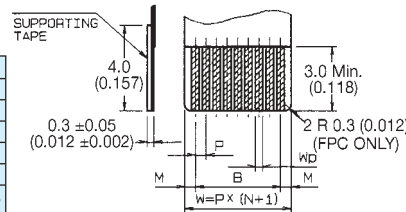
- Number of Contacts – 5-40
- 2000 Connectors per Tape & Reel
- Voltage – 50V
- Current Rating – 0.4 amp max.
- Dielectric Withstanding Voltage – 200V RMS min.
- Operating Temperature – (-40°C - +85°C)
- Contact Material – phosphor bronze (tin-lead plated)
- Insulator Material – nylon 46, natural color
- Slider Material – PPS, natural color (UL 94 V-O)
- FFC/FPC Thickness – 0.3 ±0.05mm (0.012 ±0.002")
- Profile Height – 2.00mm



MOUNTING LAYOUT (CONN. MOUNTING SIDE)

	FFC		FPC	
	1	2	1	2
M	0.5±0.1	0.5±0.08	0.5±0.12	0.5±0.1
P	0.5±0.03	0.5±0.05	0.5±0.02	0.5±0.05
B	B±0.03	B±0.05	B±0.03	B±0.05
W	W±0.07	W±0.07	W±0.07	W±0.07
Wp	0.3±0.02	0.3±0.02	0.35±0.04	0.35±0.05

Applicable FFC, FPC



No. of Contacts	Dimension			
	A	B	C	D
05	6.8 (0.268)	2.0 (0.079)	8.8 (0.346)	3.1 (0.122)
06	7.3 (0.287)	2.5 (0.098)	9.3 (0.366)	3.6 (0.142)
07	7.8 (0.307)	3.0 (0.118)	9.8 (0.386)	4.1 (0.161)
08	8.3 (0.327)	3.5 (0.138)	10.3 (0.406)	4.6 (0.181)
09	8.8 (0.346)	4.0 (0.157)	10.8 (0.425)	5.1 (0.201)
10	9.3 (0.366)	4.5 (0.177)	11.3 (0.445)	5.6 (0.220)
11	9.8 (0.386)	5.0 (0.197)	11.8 (0.465)	6.1 (0.240)
12	10.3 (0.406)	5.5 (0.217)	12.3 (0.484)	6.6 (0.260)
13	10.8 (0.425)	6.0 (0.236)	12.8 (0.504)	7.1 (0.280)
14	11.3 (0.445)	6.5 (0.256)	13.3 (0.524)	7.6 (0.299)
15	11.8 (0.465)	7.0 (0.276)	13.8 (0.543)	8.1 (0.319)
16	12.3 (0.484)	7.5 (0.295)	14.3 (0.563)	8.6 (0.339)
17	12.8 (0.504)	8.0 (0.315)	14.8 (0.583)	9.1 (0.358)
18	13.3 (0.524)	8.5 (0.335)	15.3 (0.602)	9.6 (0.378)
19	13.8 (0.543)	9.0 (0.354)	15.8 (0.622)	10.1 (0.398)
20	14.3 (0.563)	9.5 (0.374)	16.3 (0.642)	10.6 (0.417)
21	14.8 (0.583)	10.0 (0.394)	16.8 (0.661)	11.1 (0.437)
22	15.3 (0.602)	10.5 (0.413)	17.3 (0.681)	11.6 (0.457)
23	15.8 (0.622)	11.0 (0.433)	17.8 (0.701)	12.1 (0.476)
24	16.3 (0.642)	11.5 (0.453)	18.3 (0.720)	12.6 (0.496)
25	16.8 (0.661)	12.0 (0.472)	18.8 (0.740)	13.1 (0.516)
26	17.3 (0.681)	12.5 (0.492)	19.3 (0.760)	13.6 (0.535)
27	17.8 (0.701)	13.0 (0.512)	19.8 (0.780)	14.1 (0.555)
28	18.3 (0.720)	13.5 (0.531)	20.3 (0.799)	14.6 (0.575)
29	18.8 (0.740)	14.0 (0.551)	20.8 (0.819)	15.1 (0.594)
30	19.3 (0.760)	14.5 (0.571)	21.3 (0.839)	15.6 (0.614)
33	20.8 (0.819)	16.0 (0.630)	22.8 (0.898)	17.1 (0.673)
34	21.3 (0.839)	16.5 (0.650)	23.3 (0.917)	17.6 (0.693)
35	21.8 (0.858)	17.0 (0.669)	23.8 (0.937)	18.1 (0.713)
36	22.3 (0.878)	17.5 (0.689)	24.3 (0.957)	18.6 (0.732)
40	24.3 (0.957)	19.5 (0.768)	26.3 (1.035)	20.6 (0.811)

HOW TO ORDER

08

62XX

0XX

340

800

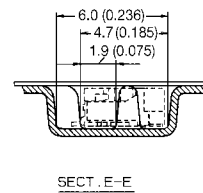
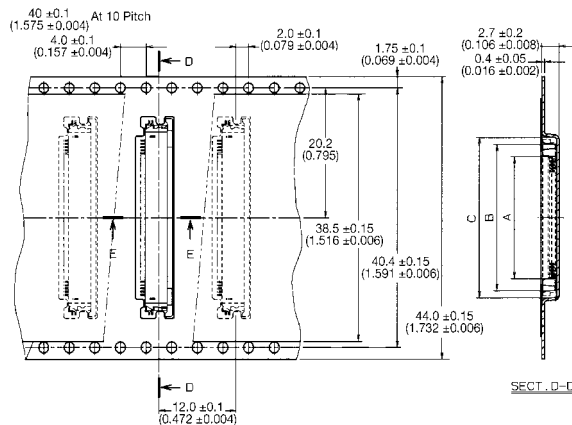
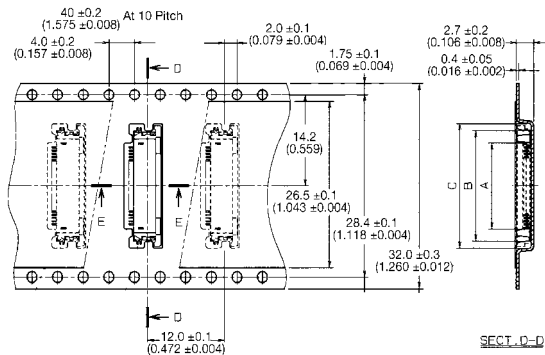
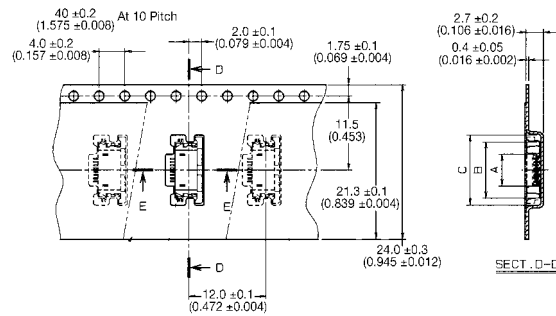
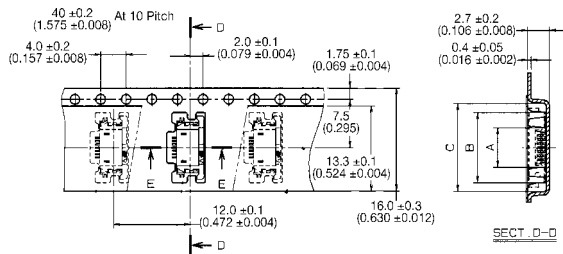
Series Number
6210
6260 (C/Ag type)

Number of Contacts

2000 Connectors per Tape and Reel.

0.50mm Pitch

Series 6210/6260 - Tape and Reel Package



No. of Contacts	Dimension		
	A	B	C
05	3.4 (0.134)	7.2 (0.283)	9.4 (0.370)
06	3.9 (0.154)	7.7 (0.303)	9.9 (0.390)

No. of Contacts	Dimension		
	A	B	C
07	4.4 (0.173)	8.2 (0.323)	10.4 (0.409)
08	4.9 (0.193)	8.7 (0.343)	10.9 (0.429)
09	5.4 (0.213)	9.2 (0.362)	11.4 (0.449)
10	5.9 (0.232)	9.7 (0.382)	11.9 (0.469)
11	6.4 (0.252)	10.2 (0.402)	12.4 (0.488)
12	6.9 (0.272)	10.7 (0.421)	12.9 (0.508)
13	7.4 (0.291)	11.2 (0.441)	13.4 (0.528)
14	7.9 (0.311)	11.7 (0.461)	13.9 (0.547)
15	8.4 (0.331)	12.2 (0.480)	14.4 (0.567)
16	8.9 (0.350)	12.7 (0.500)	14.9 (0.587)
17	9.4 (0.370)	13.2 (0.520)	15.4 (0.606)
18	9.9 (0.390)	13.7 (0.539)	15.9 (0.626)
19	10.4 (0.409)	14.2 (0.559)	16.4 (0.646)
20	10.9 (0.429)	14.7 (0.579)	16.9 (0.665)
21	11.4 (0.449)	15.2 (0.598)	17.4 (0.685)
22	11.9 (0.469)	15.7 (0.618)	17.9 (0.705)
23	12.4 (0.488)	16.2 (0.638)	18.4 (0.724)
24	12.9 (0.508)	16.7 (0.658)	18.9 (0.744)

No. of Contacts	Dimension		
	A	B	C
25	13.4 (0.528)	17.2 (0.677)	19.4 (0.764)
26	13.9 (0.547)	17.7 (0.697)	19.9 (0.783)
27	14.4 (0.567)	18.2 (0.717)	20.4 (0.803)
28	14.9 (0.587)	18.7 (0.736)	20.9 (0.823)
29	15.4 (0.606)	19.2 (0.756)	21.4 (0.843)
30	15.9 (0.626)	19.7 (0.776)	21.9 (0.862)
33	17.4 (0.685)	21.2 (0.835)	23.4 (0.921)
34	17.9 (0.705)	21.7 (0.854)	23.9 (0.941)
35	18.4 (0.724)	22.2 (0.874)	24.4 (0.961)
36	18.9 (0.744)	22.7 (0.894)	24.9 (0.980)
40	20.9 (0.823)	24.7 (0.972)	26.9 (1.059)

HOW TO ORDER

08

62XX

0XX

340

800

Series Number
6210
6260 (C/Ag type)

Number of Contacts



2000 Connectors per Tape and Reel.

0.50mm Pitch

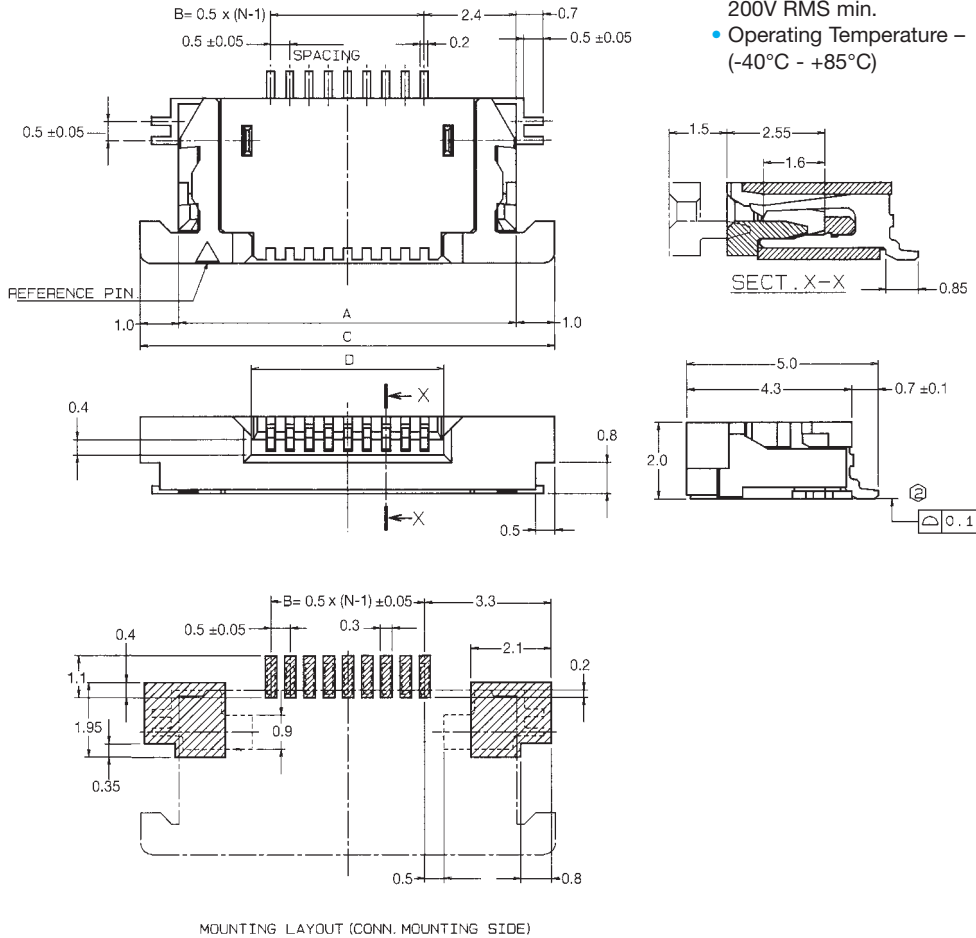
Series 6212/6262 - ZIF Right Angle SMT (Top Contact Type)



Specifications

- Number of Contacts – 5-40
- 2000 Connectors per Tape & Reel
- Voltage – 50V
- Current Rating – 0.4 amp max.
- Dielectric Withstanding Voltage – 200V RMS min.
- Operating Temperature – (-40°C - +85°C)

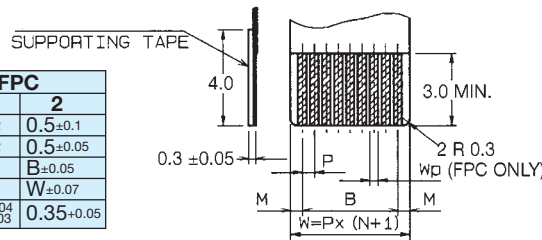
- Contact Material – phosphor bronze (tin-lead plated)
- Insulator Material – nylon 46, black color
- Slider Material – PPS, natural color (UL 94 V-O)
- FFC/FPC Thickness – 0.3 ±0.05mm (0.012 ±0.002")
- Profile Height – 2.00mm



No. of Contacts	Dimension			
	A	B	C	D
06	7.3	2.5	9.3	3.6
07	7.8	3.0	9.8	4.1
08	8.3	3.5	10.3	4.6
09	8.8	4.0	10.8	5.1
10	9.3	4.5	11.3	5.6
11	9.8	5.0	11.8	6.1
12	10.3	5.5	12.3	6.6
13	10.8	6.0	12.8	7.1
14	11.3	6.5	13.3	7.6
15	11.8	7.0	13.8	8.1
16	12.3	7.5	14.3	8.6
17	12.8	8.0	14.8	9.1
18	13.3	8.5	15.3	9.6
19	13.8	9.0	15.8	10.1
20	14.3	9.5	16.3	10.6
21	14.8	10.0	16.8	11.1
22	15.3	10.5	17.3	11.6
23	15.8	11.0	17.8	12.1
24	16.3	11.5	18.3	12.6
25	16.8	12.0	18.8	13.1
26	17.3	12.5	19.3	13.6
27	17.8	13.0	19.8	14.1
28	18.3	13.5	20.3	14.6
29	18.8	14.0	20.8	15.1
30	19.3	14.5	21.3	15.6
33	20.8	16.0	22.8	17.1
34	21.3	16.5	23.3	17.6
35	21.8	17.0	23.8	18.1
36	22.3	17.5	24.3	18.6
40	24.3	19.5	26.3	20.6

	FFC		FPC	
	1	2	1	2
M	0.5±0.1	0.5±0.08	0.5±0.12	0.5±0.1
P	0.5±0.03	0.5±0.05	0.5±0.02	0.5±0.05
B	B±0.03	B±0.05	B±0.03	B±0.05
W	W±0.07	W±0.07	W±0.07	W±0.07
Wp	0.3 ^{+0.05} _{-0.02}	0.3 ^{+0.05} _{-0.02}	0.35 ^{+0.04} _{-0.03}	0.35±0.05

Applicable FFC, FPC



HOW TO ORDER

08

62XX

0XX

340

800

Series Number
6212
6262 (C/Ag type)

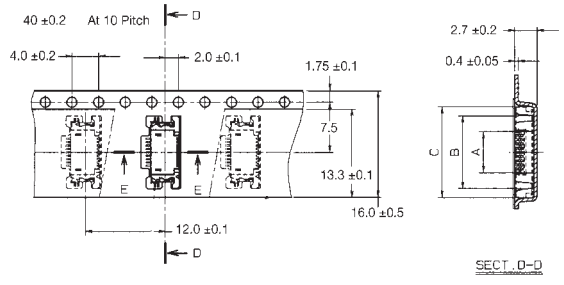
Number of Contacts

ELCO

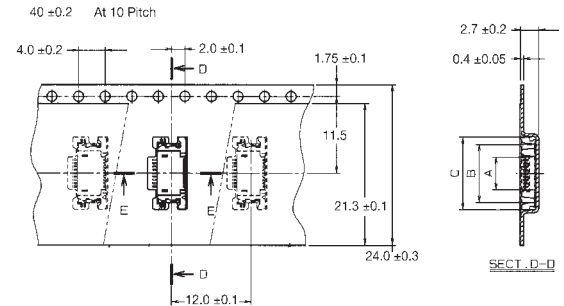
2000 Connectors per Tape and Reel.

0.50mm Pitch

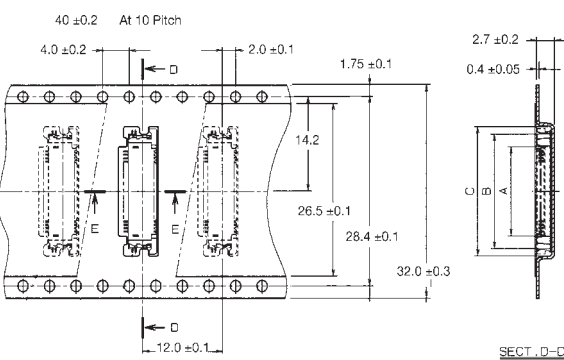
Series 6212/6262 - Tape and Reel Package



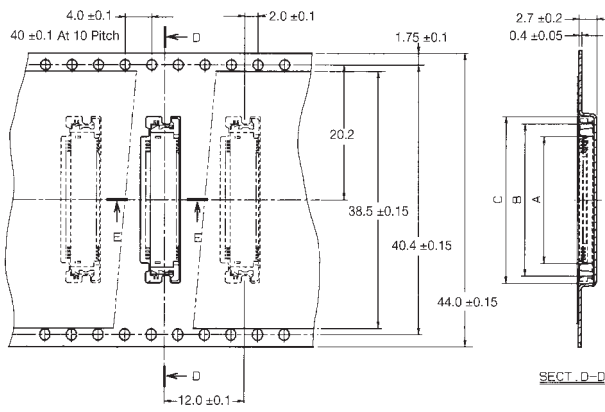
No. of Contacts	Dimension		
	A	B	C
05	3.4	7.2	9.4
06	3.9	7.7	9.9



No. of Contacts	Dimension		
	A	B	C
07	4.4	8.2	10.4
08	4.9	8.7	10.9
09	5.4	9.2	11.4
10	5.9	9.7	11.9
11	6.4	10.2	12.4
12	6.9	10.7	12.9
13	7.4	11.2	13.4
14	7.9	11.7	13.9
15	8.4	12.2	14.4
16	8.9	12.7	14.9
17	9.4	13.2	15.4
18	9.9	13.7	15.9
19	10.4	14.2	16.4
20	10.9	14.7	16.9
21	11.4	15.2	17.4
22	11.9	15.7	17.9
23	12.4	16.2	18.4
24	12.9	16.7	18.9



No. of Contacts	Dimension		
	A	B	C
25	13.4	17.2	19.4
26	13.9	17.7	19.9
27	14.4	18.2	20.4
28	14.9	18.7	20.9
29	15.4	19.2	21.4
30	15.9	19.7	21.9



No. of Contacts	Dimension		
	A	B	C
33	17.4	21.2	23.4
34	17.9	21.7	23.9
35	18.4	22.2	24.4
36	18.9	22.7	24.9
38	19.9	23.7	25.9
40	20.9	24.7	26.9

HOW TO ORDER

08 62XX 0XX 340 800

Series Number
6212
6262 (C/Ag type)

Number of Contacts

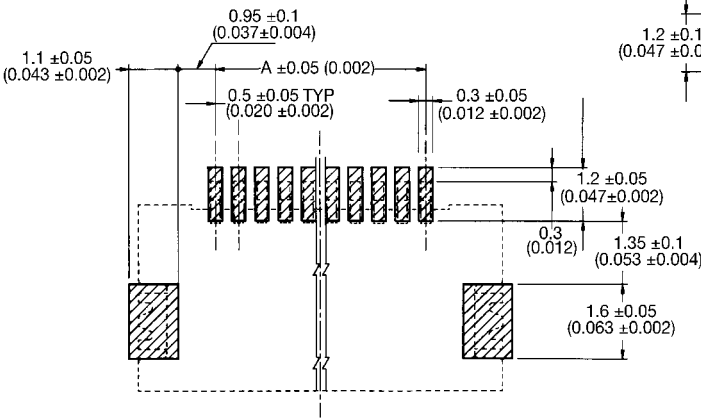
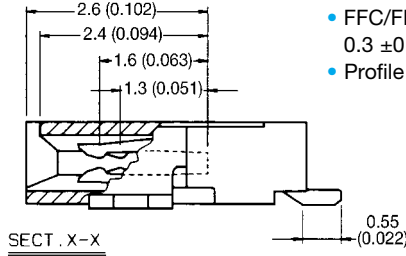
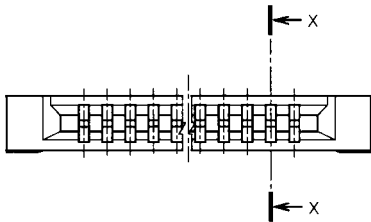
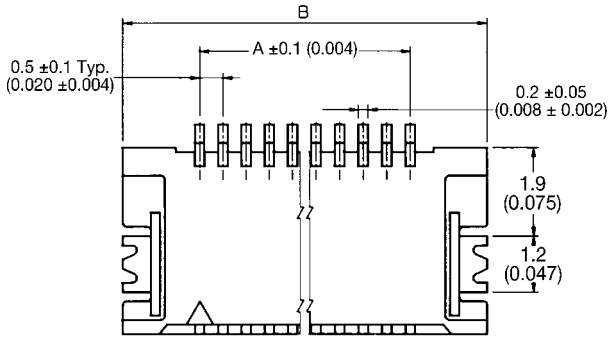
2000 Connectors per Tape and Reel.

0.50mm Pitch

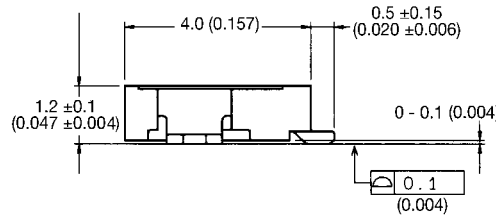
Series 6254 - LIF Right Angle SMT (Dual Sided Contact Type) 1.20mm Profile Height

Specifications

- Number of Contacts – 5-20
- 2000 Connectors per Tape & Reel
- Voltage – 50V
- Current Rating – 0.4 amp max.
- Dielectric Withstanding Voltage – 200V RMS min.
- Operating Temperature – (-40°C - +85°C)
- Contact Material – phosphor bronze (tin-lead plated)
- Insulator Material – LCP
- FFC/FPC Thickness – 0.3 ±0.03mm (0.012 ±0.001")
- Profile Height – 1.20mm



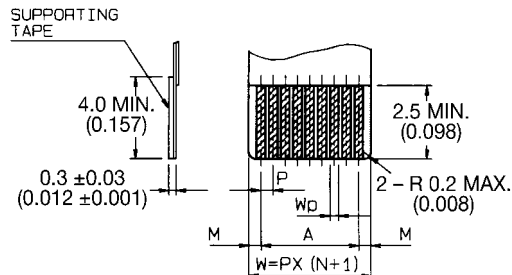
MOUNTING LAYOUT



No. of Contacts	Dimension	
	A	B
05	2.0 (0.079)	5.6 (0.220)
06	2.5 (0.098)	6.1 (0.240)
07	3.0 (0.118)	6.6 (0.260)
08	3.5 (0.138)	7.1 (0.280)
09	4.0 (0.157)	7.6 (0.299)
10	4.5 (0.177)	8.1 (0.319)
11	5.0 (0.197)	8.6 (0.339)
12	5.5 (0.217)	9.1 (0.358)
13	6.0 (0.236)	9.6 (0.378)
14	6.5 (0.256)	10.1 (0.398)
15	7.0 (0.276)	10.6 (0.417)
16	7.5 (0.295)	11.1 (0.437)
17	8.0 (0.315)	11.6 (0.457)
18	8.5 (0.335)	12.1 (0.476)
19	9.0 (0.354)	12.6 (0.496)
20	9.5 (0.374)	13.1 (0.516)

	FFC		FPC	
	1	2	1	2
M	0.5±0.1	0.5±0.08	0.5±0.12	0.5±0.1
P	0.5±0.03	0.5±0.05	0.5±0.02	0.5±0.05
A	A±0.03	A±0.05	A±0.03	A±0.05
W	W±0.07	W±0.07	W±0.07	W±0.07
Wp	0.3 ^{+0.05} _{-0.02}	0.3 ^{+0.05} _{-0.02}	0.35 ^{+0.04} _{-0.03}	0.35 ^{+0.05}

Applicable FFC, FPC



HOW TO ORDER

04

6254

0XX

000

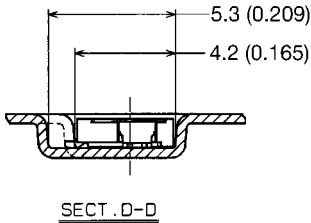
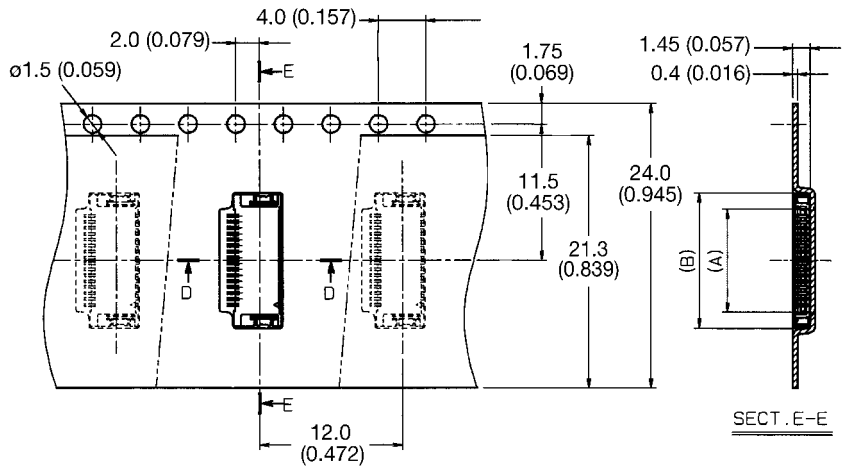
800

Number of Contacts

2000 Connectors per Tape and Reel.

0.50mm Pitch

Series 6254 - Tape and Reel Package



No. of Contacts	Dimension	
	A	B
05	3.2 (0.126)	5.9 (0.232)
06	3.7 (0.146)	6.4 (0.252)
07	4.2 (0.165)	6.9 (0.272)
08	4.7 (0.185)	7.4 (0.291)
09	5.2 (0.205)	7.9 (0.311)
10	5.7 (0.224)	8.4 (0.331)
11	6.2 (0.244)	8.9 (0.350)
12	6.7 (0.264)	9.4 (0.370)
13	7.2 (0.283)	9.9 (0.390)
14	7.7 (0.303)	10.4 (0.409)
15	8.2 (0.323)	10.9 (0.429)
16	8.7 (0.343)	11.4 (0.449)
17	9.2 (0.362)	11.9 (0.469)
18	9.7 (0.382)	12.4 (0.488)
19	10.2 (0.402)	12.9 (0.508)
20	10.7 (0.421)	13.4 (0.528)

HOW TO ORDER

04

6254

0XX

000

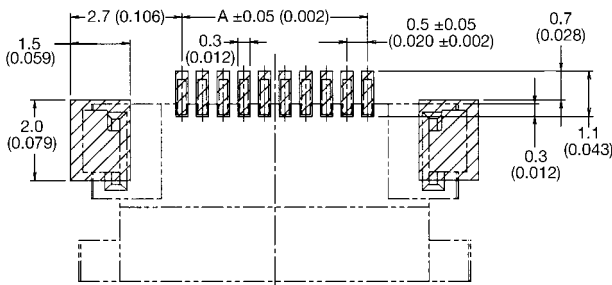
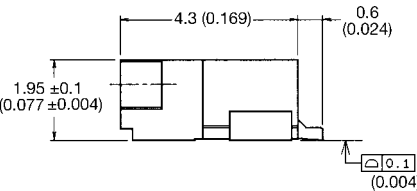
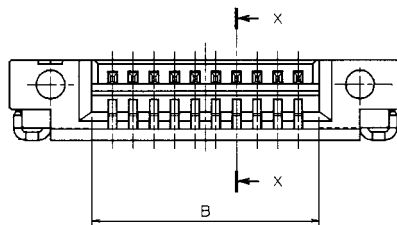
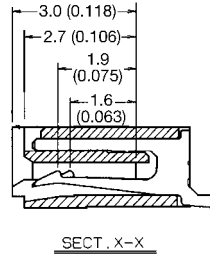
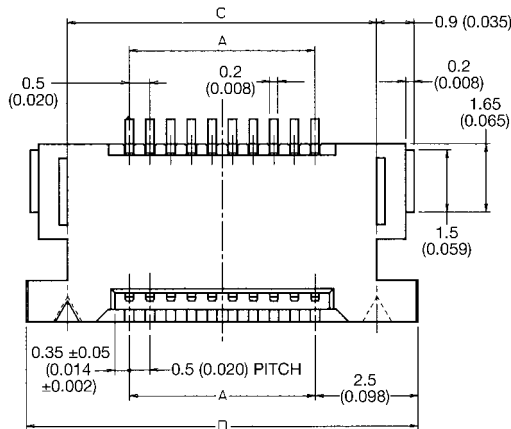
800

Number of Contacts

2000 Connectors per Tape and Reel.

0.50mm Pitch

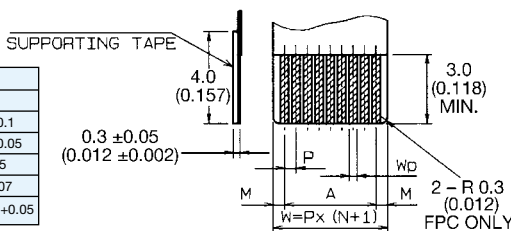
Series 6222 - LIF Right Angle SMT (Bottom Contact Type)



MOUNTING LAYOUT (CONN. MOUNTING SIDE)

	FFC		FPC	
	1	2	1	2
M	0.5±0.1	0.5±0.08	0.5±0.12	0.5±0.1
P	0.5±0.03	0.5±0.05	0.5±0.02	0.5±0.05
A	A±0.03	A±0.05	A±0.03	A±0.05
W	W±0.07	W±0.07	W±0.07	W±0.07
Wp	0.3 ^{+0.05} _{-0.02}	0.3 ^{+0.05} _{-0.02}	0.35 ^{+0.04} _{-0.03}	0.35±0.05

Applicable FFC, FPC



Specifications

- Number of Contacts – 5-30
- 2000 Connectors per Tape & Reel
- Voltage – 50V
- Current Rating – 0.4 amp max.
- Dielectric Withstanding Voltage – 200V RMS min.
- Operating Temperature – (-40°C - +85°C)
- Contact Material – phosphor bronze (tin-lead plated)
- Insulator Material – PPS, natural color
- FFC/FPC Thickness – 0.3 ± 0.05mm (0.012 ± 0.002")
- Profile Height – 1.95mm

No. of Contacts	Dimension			
	A	B	C	D
05	2.0 (0.079)	3.0 (0.118)	5.0 (0.197)	7.0 (0.276)
06	2.5 (0.098)	3.5 (0.138)	5.5 (0.217)	7.5 (0.295)
07	3.0 (0.118)	4.0 (0.157)	6.0 (0.236)	8.0 (0.315)
08	3.5 (0.138)	4.5 (0.177)	6.5 (0.256)	8.5 (0.335)
09	4.0 (0.157)	5.0 (0.197)	7.0 (0.276)	9.0 (0.354)
10	4.5 (0.177)	5.5 (0.217)	7.5 (0.295)	9.5 (0.374)
11	5.0 (0.197)	6.0 (0.236)	8.0 (0.315)	10.0 (0.394)
12	5.5 (0.217)	6.5 (0.256)	8.5 (0.335)	10.5 (0.413)
13	6.0 (0.236)	7.0 (0.276)	9.0 (0.354)	11.0 (0.433)
14	6.5 (0.256)	7.5 (0.295)	9.5 (0.374)	11.5 (0.453)
15	7.0 (0.276)	8.0 (0.315)	10.0 (0.394)	12.0 (0.472)
16	7.5 (0.295)	8.5 (0.335)	10.5 (0.413)	12.5 (0.492)
17	8.0 (0.315)	9.0 (0.354)	11.0 (0.433)	13.0 (0.512)
18	8.5 (0.335)	9.5 (0.374)	11.5 (0.453)	13.5 (0.531)
19	9.0 (0.354)	10.0 (0.394)	12.0 (0.472)	14.0 (0.551)
20	9.5 (0.374)	10.5 (0.413)	12.5 (0.492)	14.5 (0.571)
21	10.0 (0.394)	11.0 (0.433)	13.0 (0.512)	15.0 (0.591)
22	10.5 (0.413)	11.5 (0.453)	13.5 (0.531)	15.5 (0.610)
23	11.0 (0.433)	12.0 (0.472)	14.0 (0.551)	16.0 (0.630)
24	11.5 (0.453)	12.5 (0.492)	14.5 (0.571)	16.5 (0.650)
25	12.0 (0.472)	13.0 (0.512)	15.0 (0.591)	17.0 (0.669)
26	12.5 (0.492)	13.5 (0.531)	15.5 (0.610)	17.5 (0.689)
27	13.0 (0.512)	14.0 (0.551)	16.0 (0.630)	18.0 (0.709)
28	13.5 (0.531)	14.5 (0.571)	16.5 (0.650)	18.5 (0.728)
29	14.0 (0.551)	15.0 (0.591)	17.0 (0.669)	19.0 (0.748)
30	14.5 (0.571)	15.5 (0.610)	17.5 (0.689)	19.5 (0.768)

08

6222

0XX

001

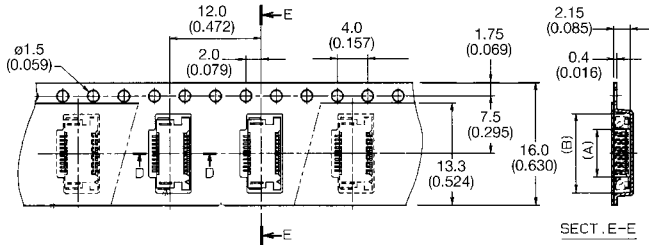
800

Number of Contacts

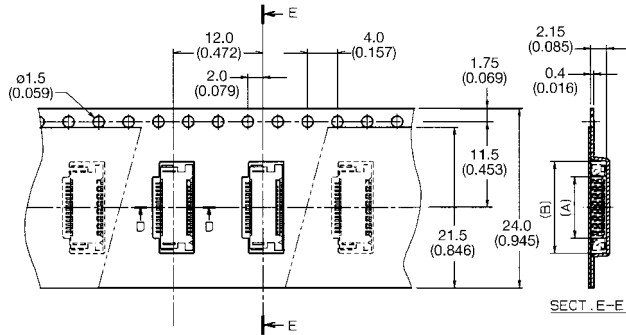
2000 Connectors per Tape and Reel.

0.50mm Pitch

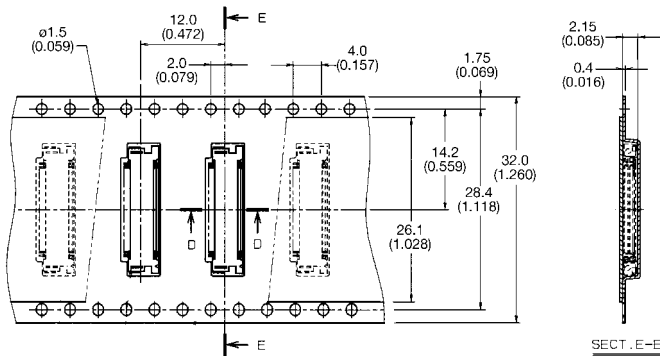
Series 6222 - Tape and Reel Package



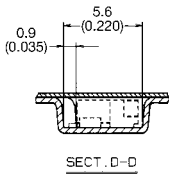
No. of Contacts	Dimension	
	A	B
05	3.2 (0.126)	7.3 (0.287)
06	3.7 (0.146)	7.8 (0.307)
07	4.2 (0.165)	8.3 (0.327)
08	4.7 (0.185)	8.8 (0.346)
09	5.2 (0.205)	9.3 (0.366)
10	5.7 (0.224)	9.8 (0.386)
11	6.2 (0.244)	10.3 (0.406)



No. of Contacts	Dimension	
	A	B
12	6.7 (0.264)	10.8 (0.425)
13	7.2 (0.283)	11.3 (0.445)
14	7.7 (0.303)	11.8 (0.465)
15	8.2 (0.323)	12.3 (0.484)
16	8.7 (0.343)	12.8 (0.504)
17	9.2 (0.362)	13.3 (0.524)
18	9.7 (0.382)	13.8 (0.543)
19	10.2 (0.402)	14.3 (0.563)
20	10.7 (0.421)	14.8 (0.583)
21	11.2 (0.441)	15.3 (0.602)
22	11.7 (0.461)	15.8 (0.622)
23	12.2 (0.480)	16.3 (0.642)
24	12.7 (0.500)	16.8 (0.661)
25	13.2 (0.520)	17.3 (0.681)
26	13.7 (0.539)	17.8 (0.701)
27	14.2 (0.559)	18.3 (0.720)



No. of Contacts	Dimension	
	A	B
28	14.7 (0.579)	18.8 (0.740)
29	15.2 (0.598)	19.3 (0.760)
30	15.7 (0.618)	19.8 (0.780)



HOW TO ORDER

08

6222

0XX

001

800

Number of Contacts

2000 Connectors per Tape and Reel.

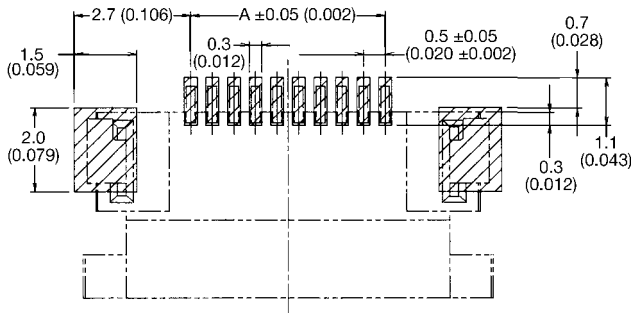
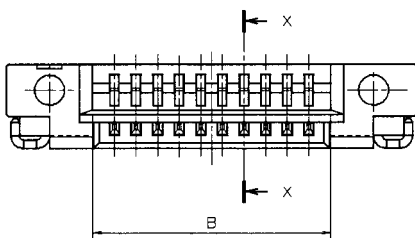
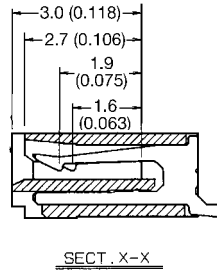
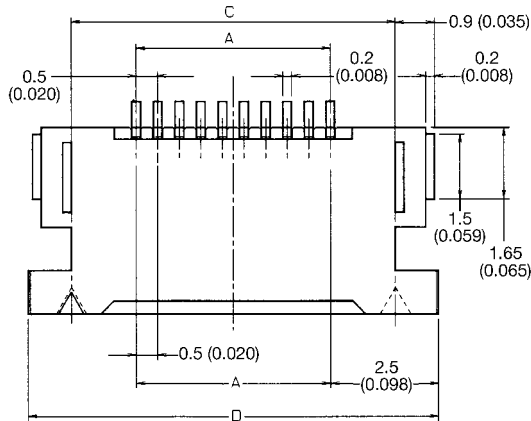
0.50mm Pitch

Series 6223 - LIF Right Angle SMT (Top Contact Type)



Specifications

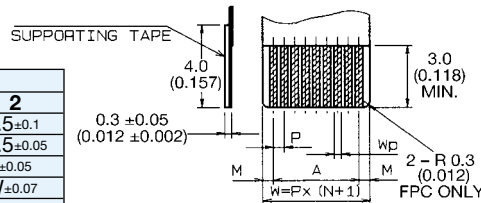
- Number of Contacts – 5-30
- 2000 Connectors per Tape & Reel
- Voltage – 50V
- Current Rating – 0.4 amp max.
- Dielectric Withstanding Voltage – 200V RMS min.
- Operating Temperature – (-40°C - +85°C)
- Contact Material – phosphor bronze (tin-lead plated)
- Insulator Material – PPS, black color
- FFC/FPC Thickness – 0.3 ±0.05mm (0.012 ±0.002")
- Profile Height – 1.95mm



MOUNTING LAYOUT (CONN. MOUNTING SIDE)

	FFC		FPC	
	1	2	1	2
M	0.5±0.1	0.5±0.08	0.5±0.12	0.5±0.1
P	0.5±0.03	0.5±0.05	0.5±0.02	0.5±0.05
A	A±0.03	A±0.05	A±0.03	A±0.05
W	W±0.07	W±0.07	W±0.07	W±0.07
Wp	0.3 ^{+0.05} _{-0.02}	0.3 ^{+0.05} _{-0.02}	0.35 ^{+0.04} _{-0.03}	0.35±0.05

Applicable FFC, FPC



No. of Contacts	Dimension			
	A	B	C	D
05	2.0 (0.079)	3.0 (0.118)	5.0 (0.197)	7.0 (0.276)
06	2.5 (0.098)	3.5 (0.138)	5.5 (0.217)	7.5 (0.295)
07	3.0 (0.118)	4.0 (0.157)	6.0 (0.236)	8.0 (0.315)
08	3.5 (0.138)	4.5 (0.177)	6.5 (0.256)	8.5 (0.335)
09	4.0 (0.157)	5.0 (0.197)	7.0 (0.276)	9.0 (0.354)
10	4.5 (0.177)	5.5 (0.217)	7.5 (0.295)	9.5 (0.374)
11	5.0 (0.197)	6.0 (0.236)	8.0 (0.315)	10.0 (0.394)
12	5.5 (0.217)	6.5 (0.256)	8.5 (0.335)	10.5 (0.413)
13	6.0 (0.236)	7.0 (0.276)	9.0 (0.354)	11.0 (0.433)
14	6.5 (0.256)	7.5 (0.295)	9.5 (0.374)	11.5 (0.453)
15	7.0 (0.276)	8.0 (0.315)	10.0 (0.394)	12.0 (0.472)
16	7.5 (0.295)	8.5 (0.335)	10.5 (0.413)	12.5 (0.492)
17	8.0 (0.315)	9.0 (0.354)	11.0 (0.433)	13.0 (0.512)
18	8.5 (0.335)	9.5 (0.374)	11.5 (0.453)	13.5 (0.531)
19	9.0 (0.354)	10.0 (0.394)	12.0 (0.472)	14.0 (0.551)
20	9.5 (0.374)	10.5 (0.413)	12.5 (0.492)	14.5 (0.571)
21	10.0 (0.394)	11.0 (0.433)	13.0 (0.512)	15.0 (0.591)
22	10.5 (0.413)	11.5 (0.453)	13.5 (0.531)	15.5 (0.610)
23	11.0 (0.433)	12.0 (0.472)	14.0 (0.551)	16.0 (0.630)
24	11.5 (0.453)	12.5 (0.492)	14.5 (0.571)	16.5 (0.650)
25	12.0 (0.472)	13.0 (0.512)	15.0 (0.591)	17.0 (0.669)
26	12.5 (0.492)	13.5 (0.531)	15.5 (0.610)	17.5 (0.689)
27	13.0 (0.512)	14.0 (0.551)	16.0 (0.630)	18.0 (0.709)
28	13.5 (0.531)	14.5 (0.571)	16.5 (0.650)	18.5 (0.728)
29	14.0 (0.551)	15.0 (0.591)	17.0 (0.669)	19.0 (0.748)
30	14.5 (0.571)	15.5 (0.610)	17.5 (0.689)	19.5 (0.768)

08

6223

0XX

001

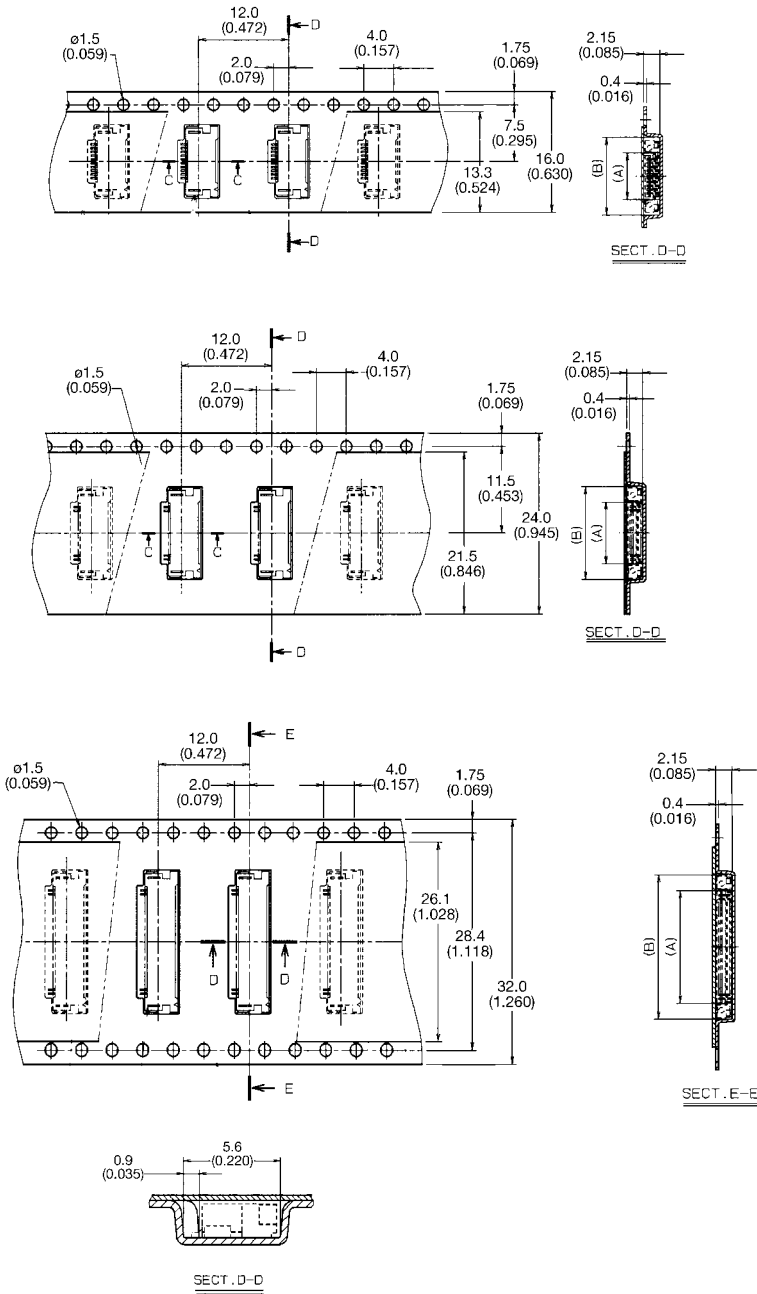
800

Number of Contacts

2000 Connectors per Tape and Reel.

0.50mm Pitch

Series 6223 - Tape and Reel Package



No. of Contacts	Dimension	
	A	B
05	3.2 (0.126)	7.3 (0.287)
06	3.7 (0.146)	7.8 (0.307)
07	4.2 (0.165)	8.3 (0.327)
08	4.7 (0.185)	8.8 (0.346)
09	5.2 (0.205)	9.3 (0.366)
10	5.7 (0.224)	9.8 (0.386)
11	6.2 (0.244)	10.3 (0.406)

No. of Contacts	Dimension	
	A	B
12	6.7 (0.264)	10.8 (0.425)
13	7.2 (0.283)	11.3 (0.445)
14	7.7 (0.303)	11.8 (0.465)
15	8.2 (0.323)	12.3 (0.484)
16	8.7 (0.343)	12.8 (0.504)
17	9.2 (0.362)	13.3 (0.524)
18	9.7 (0.382)	13.8 (0.543)
19	10.2 (0.402)	14.3 (0.563)
20	10.7 (0.421)	14.8 (0.583)
21	11.2 (0.441)	15.3 (0.602)
22	11.7 (0.461)	15.8 (0.622)
23	12.2 (0.480)	16.3 (0.642)
24	12.7 (0.500)	16.8 (0.661)
25	13.2 (0.520)	17.3 (0.681)
26	13.7 (0.539)	17.8 (0.701)
27	14.2 (0.559)	18.3 (0.720)

No. of Contacts	Dimension	
	A	B
28	14.7 (0.579)	18.8 (0.740)
29	15.2 (0.598)	19.3 (0.760)
30	15.7 (0.618)	19.8 (0.780)

HOW TO ORDER

08

6223

0XX

001

800

Number of Contacts

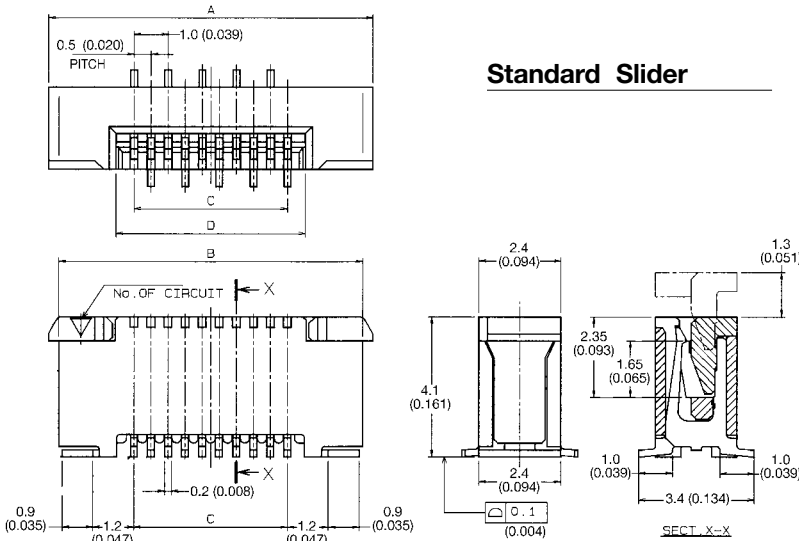
2000 Connectors per Tape and Reel.

0.50mm Pitch

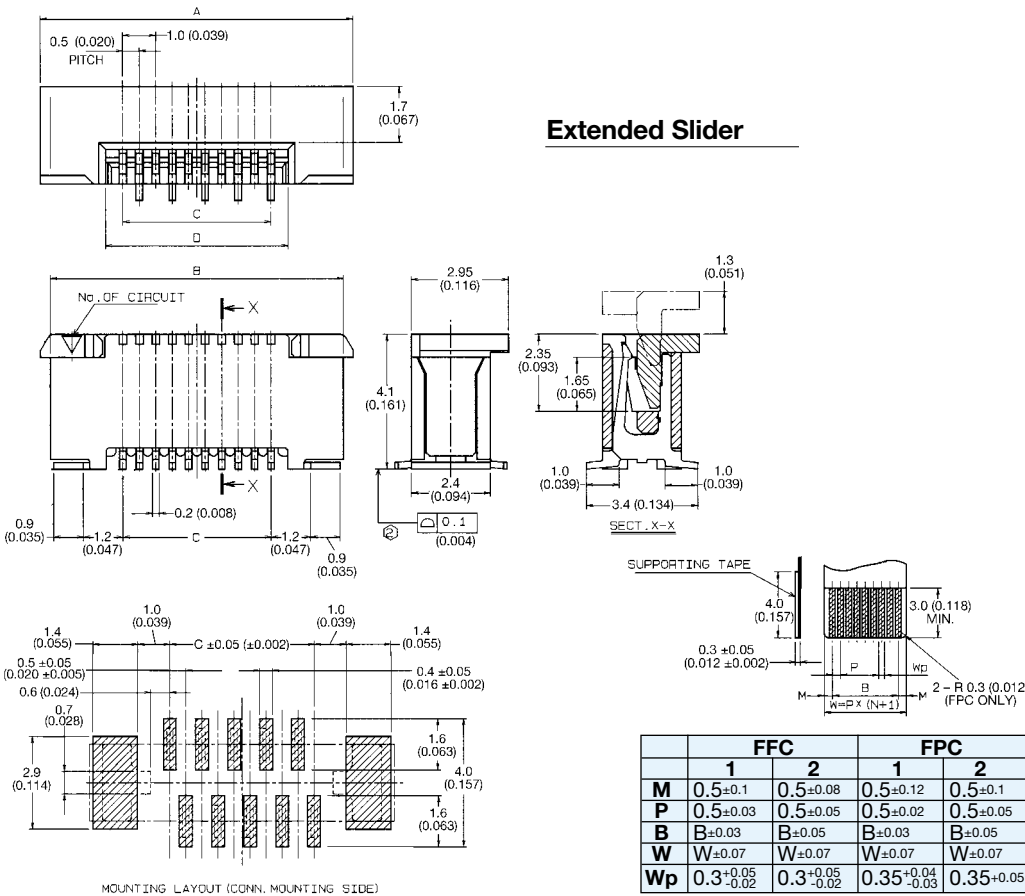
Series 6214 - ZIF Vertical SMT



Standard Slider



Extended Slider



Specifications

- Number of Contacts – 6-30
- 1000 Connectors per Tape & Reel
- Voltage – 50V
- Current Rating – 0.4 amp max.
- Dielectric Withstanding Voltage – 200V RMS min.
- Operating Temperature – (-40°C - +85°C)
- Contact Material – phosphor bronze (tin-lead plated)
- Insulator Material – nylon 46, natural color (UL 94 V-O)
- Slider Material – PPS, natural color (UL 94 V-O)
- FFC/FPC Thickness – 0.3 ± 0.05mm (0.012 ± 0.002")
- Profile Height – 4.10mm

No. of Contacts	Dimension			
	A	B	C	D
06	7.5 (0.295)	6.9 (0.272)	2.5 (0.098)	3.6 (0.142)
07	8.0 (0.315)	7.4 (0.291)	3.0 (0.118)	4.1 (0.161)
08	8.5 (0.335)	7.9 (0.311)	3.5 (0.138)	4.6 (0.181)
09	9.0 (0.354)	8.4 (0.331)	4.0 (0.157)	5.1 (0.201)
10	9.5 (0.374)	8.9 (0.350)	4.5 (0.177)	5.6 (0.220)
11	10.0 (0.394)	9.4 (0.370)	5.0 (0.197)	6.1 (0.240)
12	10.5 (0.413)	9.9 (0.390)	5.5 (0.217)	6.6 (0.260)
13	11.0 (0.433)	10.4 (0.409)	6.0 (0.236)	7.1 (0.280)
14	11.5 (0.453)	10.9 (0.429)	6.5 (0.256)	7.6 (0.299)
15	12.0 (0.472)	11.4 (0.449)	7.0 (0.276)	8.1 (0.319)
16	12.5 (0.492)	11.9 (0.469)	7.5 (0.295)	8.6 (0.339)
17	13.0 (0.512)	12.4 (0.488)	8.0 (0.315)	9.1 (0.358)
18	13.5 (0.531)	12.9 (0.508)	8.5 (0.335)	9.6 (0.378)
19	14.0 (0.551)	13.4 (0.528)	9.0 (0.354)	10.1 (0.398)
20	14.5 (0.571)	13.9 (0.547)	9.5 (0.374)	10.6 (0.417)
21	15.0 (0.591)	14.4 (0.567)	10.0 (0.394)	11.1 (0.437)
22	15.5 (0.610)	14.9 (0.587)	10.5 (0.413)	11.6 (0.457)
23	16.0 (0.630)	15.4 (0.606)	11.0 (0.433)	12.1 (0.476)
24	16.5 (0.650)	15.9 (0.626)	11.5 (0.453)	12.6 (0.496)
25	17.0 (0.669)	16.4 (0.646)	12.0 (0.472)	13.1 (0.516)
26	17.5 (0.689)	16.9 (0.665)	12.5 (0.492)	13.6 (0.535)
27	18.0 (0.709)	17.4 (0.685)	13.0 (0.512)	14.1 (0.555)
28	18.5 (0.728)	17.9 (0.705)	13.5 (0.531)	14.6 (0.575)
29	19.0 (0.748)	18.4 (0.724)	14.0 (0.551)	15.1 (0.594)
30	19.5 (0.768)	18.9 (0.744)	14.5 (0.571)	15.6 (0.614)

	FFC		FPC	
	1	2	1	2
M	0.5 ± 0.1	0.5 ± 0.08	0.5 ± 0.12	0.5 ± 0.1
P	0.5 ± 0.03	0.5 ± 0.05	0.5 ± 0.02	0.5 ± 0.05
B	B ± 0.03	B ± 0.05	B ± 0.03	B ± 0.05
W	W ± 0.07	W ± 0.07	W ± 0.07	W ± 0.07
Wp	0.3 ± 0.05 -0.02	0.3 ± 0.05 -0.02	0.35 ± 0.04 -0.03	0.35 ± 0.05

Applicable FFC, FPC

HOW TO ORDER

04

6214

0XX

XXX

800

Number of Contacts

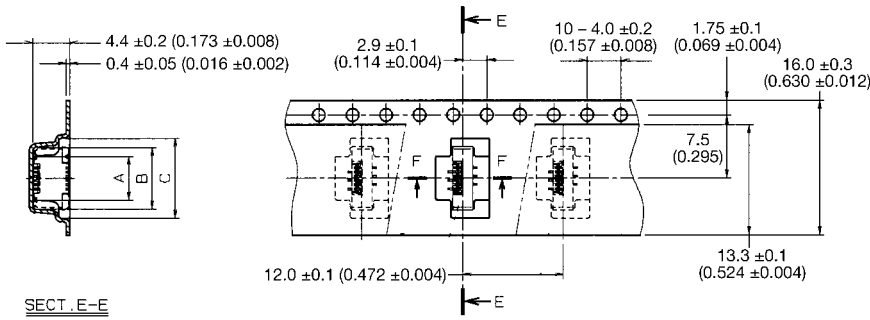
Variation Code

000 = Standard slider
010 = Extended slider

1000 Connectors per Tape and Reel.

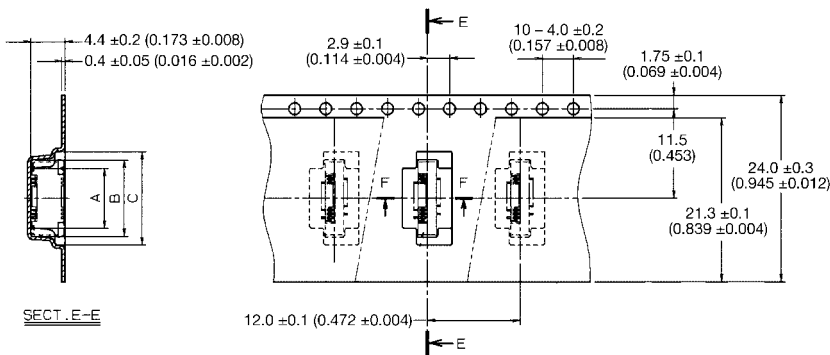
0.50mm Pitch

Series 6214 - Tape and Reel Package



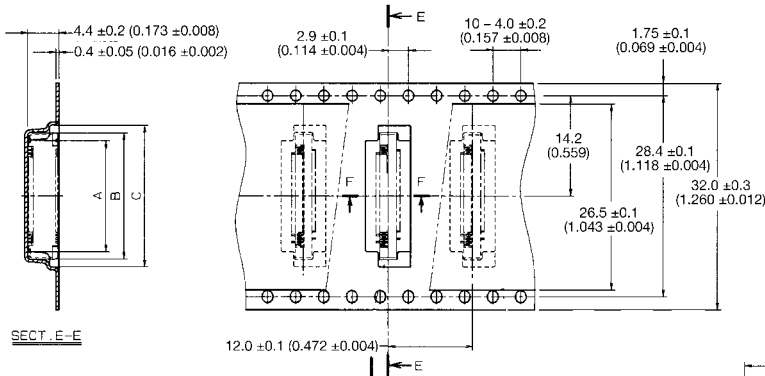
No. of Contacts		A	B	C
		06	04 6214 006 XXX 800	5.2 (0.205)
07	04 6214 007 XXX 800	5.7 (0.224)	7.8 (0.307)	10.0 (0.394)
08	04 6214 008 XXX 800	6.2 (0.244)	8.3 (0.327)	10.5 (0.413)

SECT. E-E



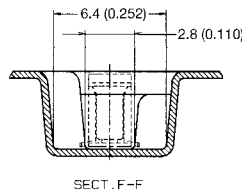
No. of Contacts		A	B	C
		09	04 6214 009 XXX 800	6.7 (0.264)
10	↑ 010 ↑	7.2 (0.283)	9.3 (0.366)	11.5 (0.453)
11	↑ 011 ↑	7.7 (0.303)	9.8 (0.386)	12.0 (0.472)
12	↑ 012 ↑	8.2 (0.323)	10.3 (0.406)	12.5 (0.492)
13	↑ 013 ↑	8.7 (0.343)	10.8 (0.425)	13.0 (0.512)
14	↑ 014 ↑	9.2 (0.362)	11.3 (0.445)	13.5 (0.531)
15	↑ 015 ↑	9.7 (0.382)	11.8 (0.465)	14.0 (0.551)
16	↑ 016 ↑	10.2 (0.402)	12.3 (0.484)	14.5 (0.571)
17	↑ 017 ↑	10.7 (0.421)	12.8 (0.504)	15.0 (0.591)
18	↑ 018 ↑	11.2 (0.441)	13.3 (0.524)	15.5 (0.610)
19	↑ 019 ↑	11.7 (0.461)	13.8 (0.543)	16.0 (0.630)
20	↑ 020 ↑	12.2 (0.480)	14.3 (0.563)	16.5 (0.650)
21	↑ 021 ↑	12.7 (0.500)	14.8 (0.583)	17.0 (0.669)
22	↑ 022 ↑	13.2 (0.520)	15.3 (0.602)	17.5 (0.689)
23	↓ 023 ↓	13.7 (0.539)	15.8 (0.622)	18.0 (0.709)
24	04 6214 024 XXX 800	14.2 (0.559)	16.3 (0.642)	18.5 (0.728)

SECT. E-E



No. of Contacts		A	B	C
		25	04 6214 025 XXX 800	14.7 (0.579)
26	↑ 026 ↑	15.2 (0.598)	17.3 (0.681)	19.5 (0.768)
27	↑ 027 ↑	15.7 (0.618)	17.8 (0.701)	20.0 (0.787)
28	↑ 028 ↑	16.2 (0.638)	18.3 (0.720)	20.5 (0.807)
29	↓ 029 ↓	16.7 (0.658)	18.8 (0.740)	21.0 (0.827)
30	04 6214 030 XXX 800	17.2 (0.677)	19.3 (0.760)	21.5 (0.846)

SECT. E-E



SECT. F-F

HOW TO ORDER

04

6214

0XX

XXX

800

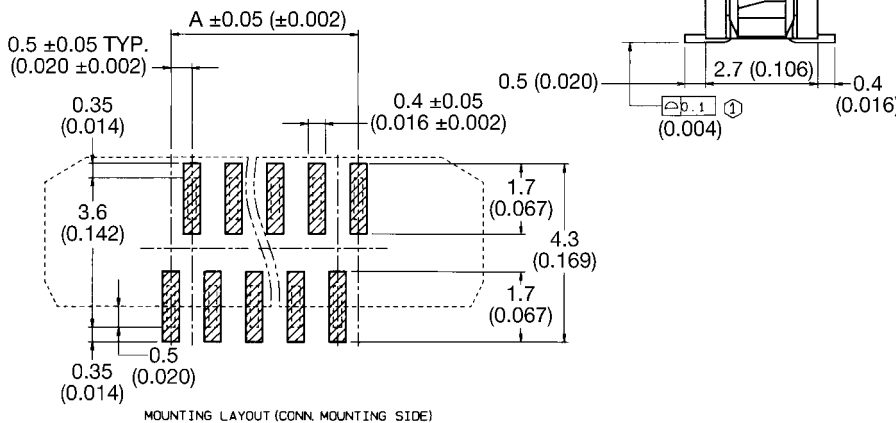
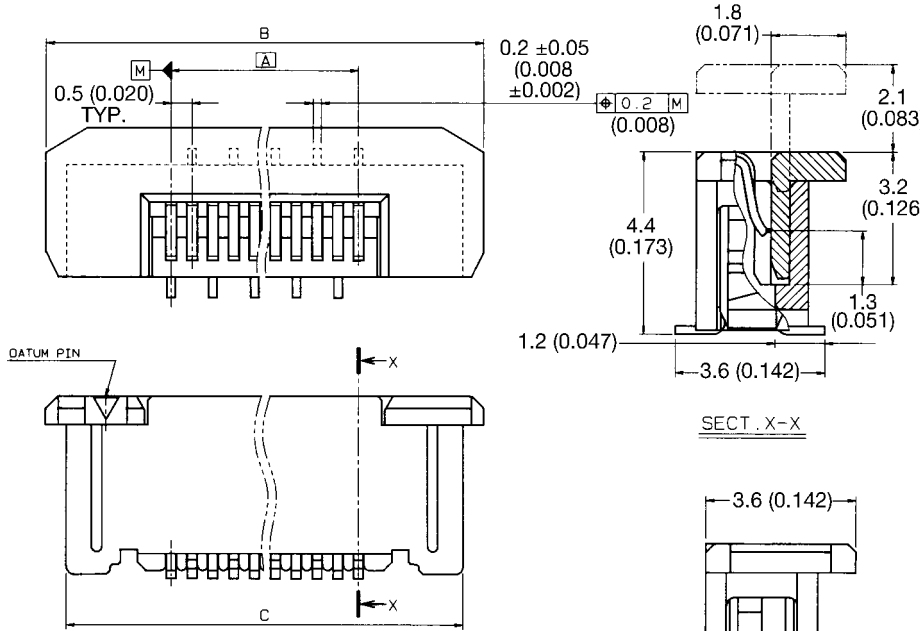
Number of Contacts

Variation Code
000 = Standard slider
010 = Extended slider

1000 Connectors per Tape and Reel.

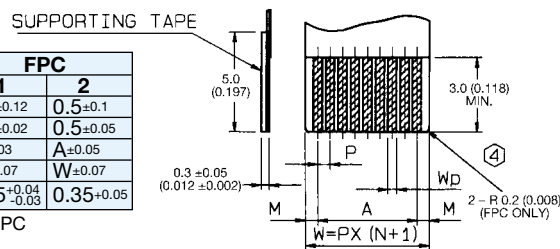
0.50mm Pitch

Series 6274 - ZIF Vertical SMT



	FFC		FPC	
	1	2	1	2
M	0.5±0.1	0.5±0.08	0.5±0.12	0.5±0.1
P	0.5±0.03	0.5±0.05	0.5±0.02	0.5±0.05
A	A±0.03	A±0.05	A±0.03	A±0.05
W	W±0.07	W±0.07	W±0.07	W±0.07
Wp	0.3 ^{+0.05} _{-0.02}	0.3 ^{+0.05} _{-0.02}	0.35 ^{+0.04} _{-0.03}	0.35 ^{+0.05}

Applicable FFC, FPC



Specifications

- Number of Contacts – 31-50
- 1000 Connectors per Tape & Reel
- Voltage – 50V
- Current Rating – 0.4 amp max.
- Dielectric Withstanding Voltage – 200V RMS min.
- Operating Temperature – (-25°C - +85°C)
- Contact Material – phosphor bronze (tin-lead plated)
- Insulator Material – PPS, brown color
- Slider Material – PPS, black color
- FFC/FPC Thickness – 0.3 ± 0.05mm (0.012 ± 0.002")
- Profile Height – 4.40mm

No. of Contacts	Dimension		
	A	B	C
31	15.0 (0.591)	21.0 (0.827)	20.0 (0.787)
32	15.5 (0.610)	21.5 (0.846)	20.5 (0.807)
33	16.0 (0.630)	22.0 (0.866)	21.0 (0.827)
34	16.5 (0.650)	22.5 (0.886)	21.5 (0.846)
35	17.0 (0.669)	23.0 (0.906)	22.0 (0.866)
36	17.5 (0.689)	23.5 (0.925)	22.5 (0.886)
37	18.0 (0.709)	24.0 (0.945)	23.0 (0.906)
38	18.5 (0.728)	24.5 (0.965)	23.5 (0.925)
39	19.0 (0.748)	25.0 (0.984)	24.0 (0.945)
40	19.5 (0.768)	25.5 (1.004)	24.5 (0.965)
41	20.0 (0.787)	26.0 (1.024)	25.0 (0.984)
42	20.5 (0.807)	26.5 (1.043)	25.5 (1.004)
43	21.0 (0.827)	27.0 (1.063)	26.0 (1.024)
44	21.5 (0.846)	27.5 (1.083)	26.5 (1.043)
45	22.0 (0.866)	28.0 (1.102)	27.0 (1.063)
46	22.5 (0.886)	28.5 (1.122)	27.5 (1.083)
47	23.0 (0.906)	29.0 (1.142)	28.0 (1.102)
48	23.5 (0.925)	29.5 (1.161)	28.5 (1.122)
49	24.0 (0.945)	30.0 (1.181)	29.0 (1.142)
50	24.5 (0.965)	30.5 (1.201)	29.5 (1.161)

HOW TO ORDER

04

6274

0XX

000

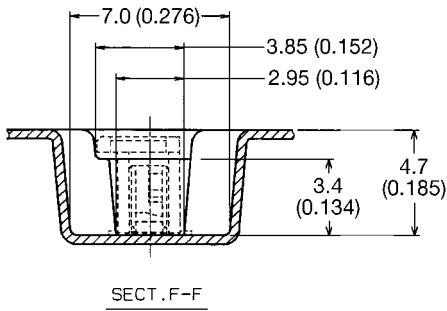
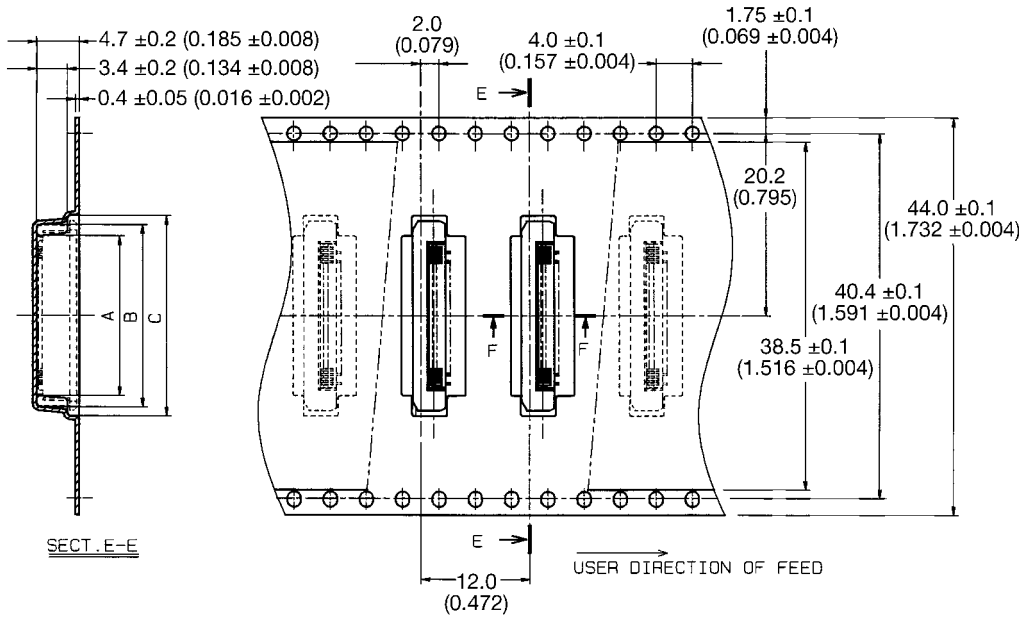
800

Number of Contacts

1000 Connectors per Tape and Reel.

0.50mm Pitch

Series 6274 - Tape and Reel Package



No. of Contacts	Dimension		
	A	B	C
31	17.7 (0.697)	20.2 (0.795)	22.2 (0.874)
32	18.2 (0.717)	20.7 (0.815)	22.7 (0.894)
33	18.7 (0.736)	21.2 (0.835)	23.2 (0.913)
34	19.2 (0.756)	21.7 (0.854)	23.7 (0.933)
35	19.7 (0.776)	22.2 (0.874)	24.2 (0.953)
36	20.2 (0.795)	22.7 (0.894)	24.7 (0.972)
37	20.7 (0.815)	23.2 (0.913)	25.2 (0.992)
38	21.2 (0.835)	23.7 (0.933)	25.7 (1.012)
39	21.7 (0.854)	24.2 (0.953)	26.2 (1.031)
40	22.2 (0.874)	24.7 (0.972)	26.7 (1.051)
41	22.7 (0.894)	25.2 (0.992)	27.2 (1.071)
42	23.2 (0.913)	25.7 (1.012)	27.7 (1.091)
43	23.7 (0.933)	26.2 (1.031)	28.2 (1.110)
44	24.2 (0.953)	26.7 (1.051)	28.7 (1.130)
45	24.7 (0.972)	27.2 (1.071)	29.2 (1.150)
46	25.2 (0.992)	27.7 (1.091)	29.7 (1.169)
47	25.7 (1.012)	28.2 (1.110)	30.2 (1.189)
48	26.2 (1.031)	28.7 (1.130)	30.7 (1.209)
49	26.7 (1.051)	29.2 (1.150)	31.2 (1.228)
50	27.2 (1.071)	29.7 (1.169)	31.7 (1.248)

HOW TO ORDER

04

6274

0XX

000

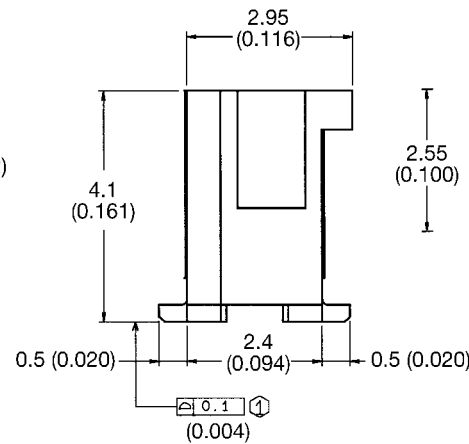
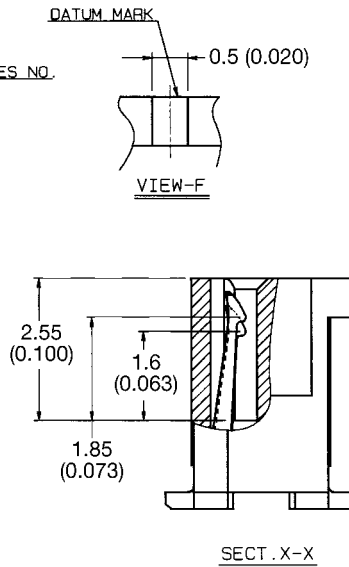
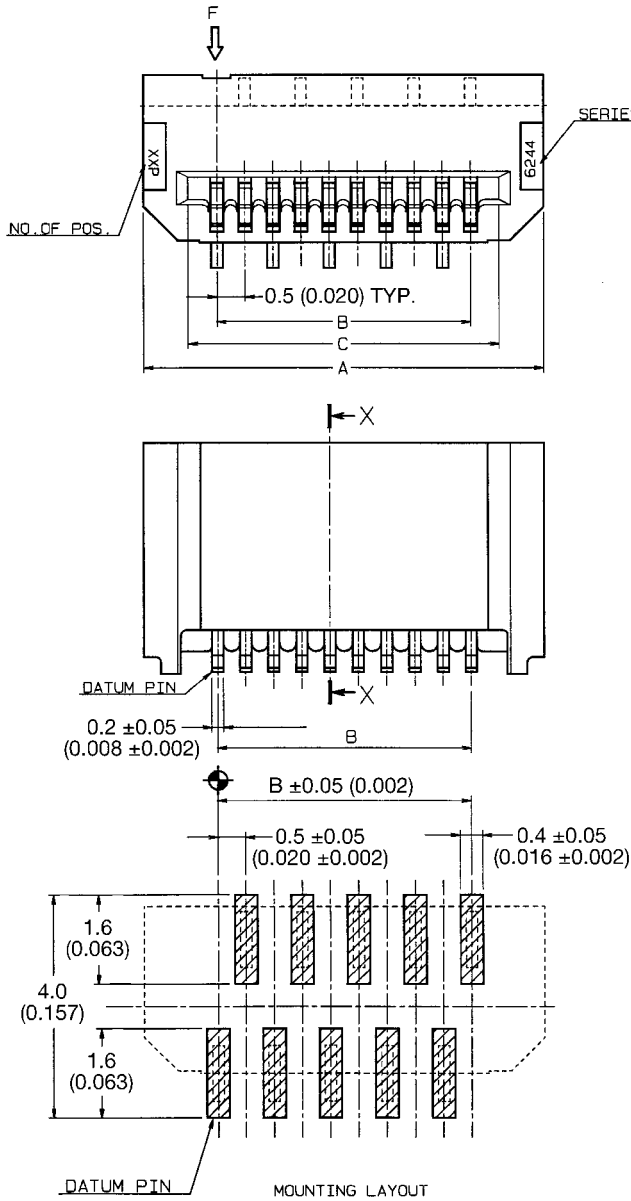
800

Number of Contacts

1000 Connectors per Tape and Reel.

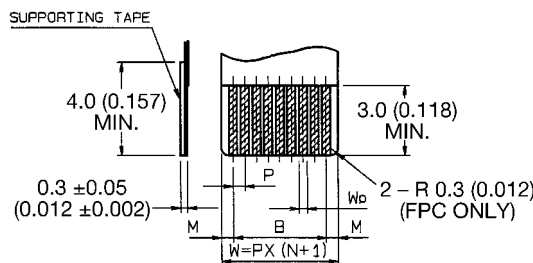
0.50mm Pitch

Series 6244 - LIF Vertical SMT



	FFC		FPC	
	1	2	1	2
M	0.5±0.1	0.5±0.08	0.5±0.12	0.5±0.1
P	0.5±0.03	0.5±0.05	0.5±0.02	0.5±0.05
B	B±0.03	B±0.05	B±0.03	B±0.05
W	W±0.07	W±0.07	W±0.07	W±0.07
Wp	0.3 ^{+0.05} _{-0.02}	0.3 ^{+0.05} _{-0.02}	0.35 ^{+0.04} _{-0.03}	0.35 ^{+0.05}

Applicable FFC, FPC



Specifications

- Number of Contacts – 6-30
- 1500 Connectors per Tape & Reel
- Voltage – 50V
- Current Rating – 0.4 amp max.
- Dielectric Withstanding Voltage – 200V RMS min.
- Operating Temperature – (-40°C - +85°C)
- Contact Material – phosphor bronze (tin-lead plated)
- Insulator Material – nylon 46, natural color (UL 94 V-O)
- FFC/FPC Thickness – 0.3 ± 0.05mm (0.012 ± 0.002")
- Profile Height – 4.10mm

No. of Contacts	Dimension		
	A	B	C
06	5.1 (0.201)	2.5 (0.098)	3.6 (0.142)
07	5.6 (0.220)	3.0 (0.118)	4.1 (0.161)
08	6.1 (0.240)	3.5 (0.138)	4.6 (0.181)
09	6.6 (0.260)	4.0 (0.157)	5.1 (0.201)
10	7.1 (0.280)	4.5 (0.177)	5.6 (0.220)
11	7.6 (0.299)	5.0 (0.197)	6.1 (0.240)
12	8.1 (0.319)	5.5 (0.217)	6.6 (0.260)
13	8.6 (0.339)	6.0 (0.236)	7.1 (0.280)
14	9.1 (0.358)	6.5 (0.256)	7.6 (0.299)
15	9.6 (0.378)	7.0 (0.276)	8.1 (0.319)
16	10.1 (0.398)	7.5 (0.295)	8.6 (0.339)
17	10.6 (0.417)	8.0 (0.315)	9.1 (0.358)
18	11.1 (0.437)	8.5 (0.335)	9.6 (0.378)
19	11.6 (0.457)	9.0 (0.354)	10.1 (0.398)
20	12.1 (0.476)	9.5 (0.374)	10.6 (0.417)
21	12.6 (0.496)	10.0 (0.394)	11.1 (0.437)
22	13.1 (0.516)	10.5 (0.413)	11.6 (0.457)
23	13.6 (0.535)	11.0 (0.433)	12.1 (0.476)
24	14.1 (0.555)	11.5 (0.453)	12.6 (0.496)
25	14.6 (0.575)	12.0 (0.472)	13.1 (0.516)
26	15.1 (0.594)	12.5 (0.492)	13.6 (0.535)
27	15.6 (0.614)	13.0 (0.512)	14.1 (0.555)
28	16.1 (0.634)	13.5 (0.531)	14.6 (0.575)
29	16.6 (0.654)	14.0 (0.551)	15.1 (0.594)
30	17.1 (0.673)	14.5 (0.571)	15.6 (0.614)

HOW TO ORDER

04

6244

0XX

011

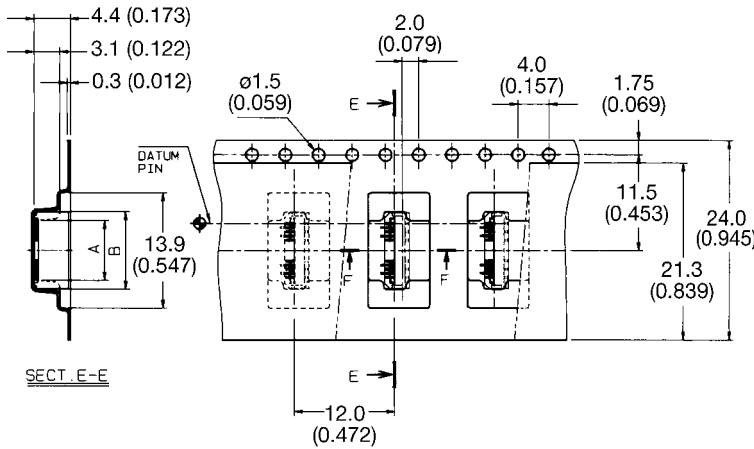
800

Number of Contacts

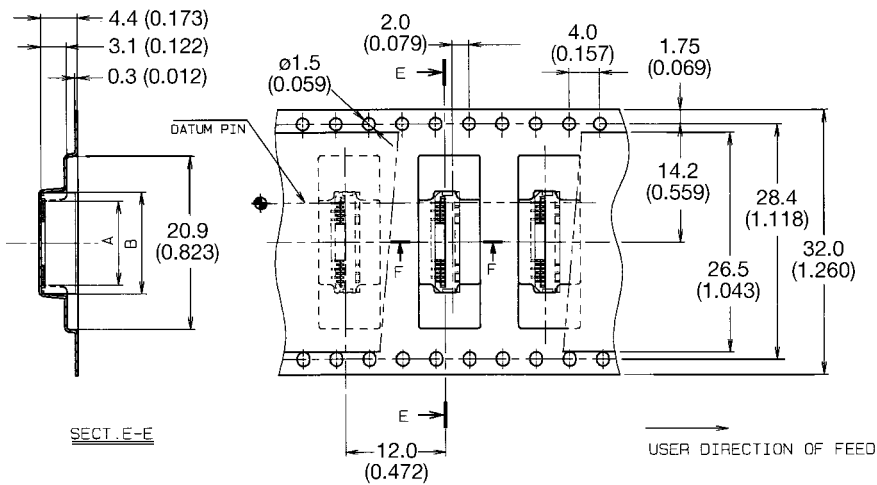
1500 Connectors per Tape and Reel.

0.50mm Pitch

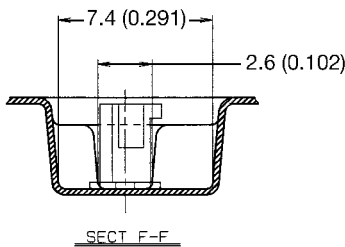
Series 6244 - Tape and Reel Package



No. of Contacts	Dimension	
	A	B
06	3.2 (0.126)	5.3 (0.209)
07	3.7 (0.146)	5.8 (0.228)
08	4.2 (0.165)	6.3 (0.248)
09	4.7 (0.185)	6.8 (0.268)
10	5.2 (0.205)	7.3 (0.287)
11	5.7 (0.224)	7.8 (0.307)
12	6.2 (0.244)	8.3 (0.327)
13	6.7 (0.264)	8.8 (0.346)
14	7.2 (0.283)	9.3 (0.366)
15	7.7 (0.303)	9.8 (0.386)
16	8.2 (0.323)	10.3 (0.406)
17	8.7 (0.343)	10.8 (0.425)
18	9.2 (0.362)	11.3 (0.445)
19	9.7 (0.382)	11.8 (0.465)



No. of Contacts	Dimension	
	A	B
20	10.2 (0.402)	12.3 (0.484)
21	10.7 (0.421)	12.8 (0.504)
22	11.2 (0.441)	13.3 (0.524)
23	11.7 (0.461)	13.8 (0.543)
24	12.2 (0.480)	14.3 (0.563)
25	12.7 (0.500)	14.8 (0.583)
26	13.2 (0.520)	15.3 (0.602)
27	13.7 (0.539)	15.8 (0.622)
28	14.2 (0.559)	16.3 (0.642)
29	14.7 (0.579)	16.8 (0.661)
30	15.2 (0.598)	17.3 (0.681)



HOW TO ORDER

04

6244

0XX

011

800

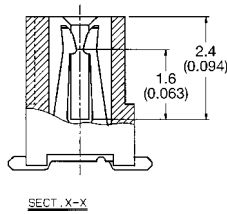
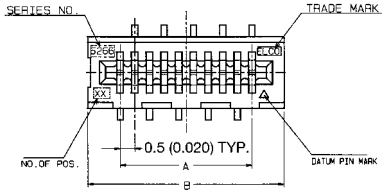
Number of Contacts

1500 Connectors per Tape and Reel.



0.50mm Pitch

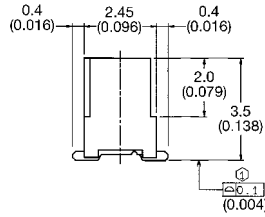
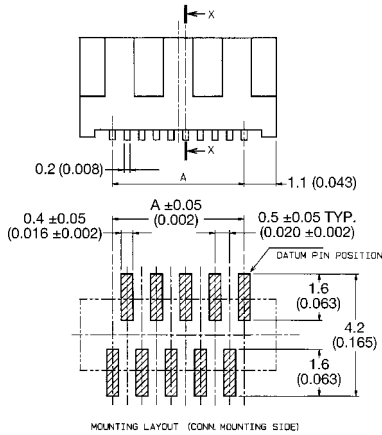
Series 6266 - LIF Vertical SMT (Dual Sided Contact Type) 3.50mm Profile Height



Specifications

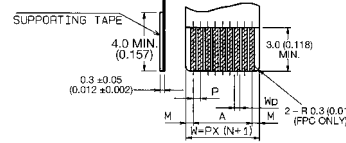
- Number of Contacts – 5-20
- 1000 Connectors per Tape & Reel
- Voltage – 50V
- Current Rating – 0.4 amp max.
- Dielectric Withstanding Voltage – 200V RMS min.
- Operating Temperature – (-20°C - +85°C)
- Contact Material – phosphor bronze (tin-lead plated)
- Insulator Material – nylon 46, natural color (UL 94 V-O)
- FFC/FPC Thickness – 0.3 ±0.05mm (0.012 ±0.002")
- Profile Height – 3.50mm

No. of Contacts	Dimension	
	A	B
05	2.0 (0.079)	4.2 (0.165)
06	2.5 (0.098)	4.7 (0.185)
07	3.0 (0.118)	5.2 (0.205)
08	3.5 (0.138)	5.7 (0.224)
09	4.0 (0.157)	6.2 (0.244)
10	4.5 (0.177)	6.7 (0.264)
11	5.0 (0.197)	7.2 (0.283)
12	5.5 (0.217)	7.7 (0.303)
13	6.0 (0.236)	8.2 (0.323)
14	6.5 (0.256)	8.7 (0.343)
15	7.0 (0.276)	9.2 (0.362)
16	7.5 (0.295)	9.7 (0.382)
17	8.0 (0.315)	10.2 (0.402)
18	8.5 (0.335)	10.7 (0.421)
19	9.0 (0.354)	11.2 (0.441)
20	9.5 (0.374)	11.7 (0.461)



	FFC		FPC	
	1	2	1	2
M	0.5±0.1	0.5±0.08	0.5±0.12	0.5±0.1
P	0.5±0.03	0.5±0.05	0.5±0.02	0.5±0.05
A	A±0.03	A±0.05	A±0.03	A±0.05
W	W±0.07	W±0.07	W±0.07	W±0.07
Wp	0.3±0.05 -0.02	0.3±0.05 -0.02	0.35±0.04 -0.03	0.35±0.05

Applicable FFC, FPC



HOW TO ORDER

04

6266

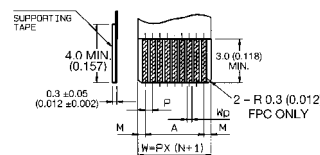
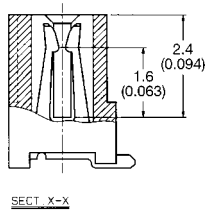
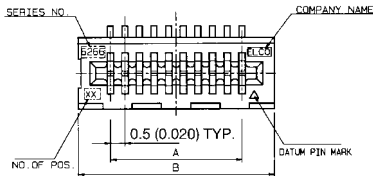
0XX

001

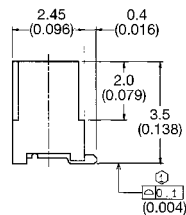
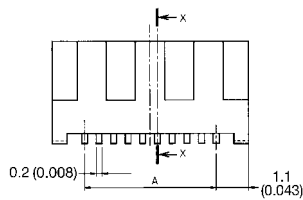
800

Number of Contacts

ONE SIDE LEAD TYPE

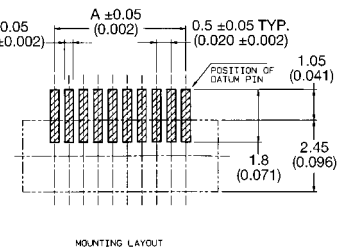


No. of Contacts	Dimension	
	A	B
11	5.0 (0.197)	7.2 (0.283)
13	6.0 (0.236)	8.2 (0.323)



	FFC		FPC	
	1	2	1	2
M	0.5±0.1	0.5±0.08	0.5±0.12	0.5±0.1
P	0.5±0.03	0.5±0.05	0.5±0.02	0.5±0.05
A	A±0.03	A±0.05	A±0.03	A±0.05
W	W±0.07	W±0.07	W±0.07	W±0.07
Wp	0.3±0.05 -0.02	0.3±0.05 -0.02	0.35±0.04 -0.03	0.35±0.05

Applicable FFC, FPC



HOW TO ORDER

04

6266

0XX

011

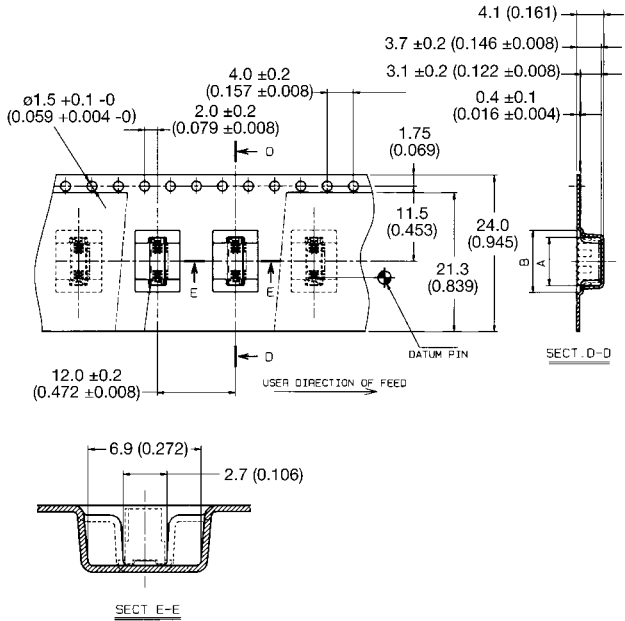
800

Number of Contacts

1000 Connectors per Tape and Reel.

0.50mm Pitch

Series 6266 - Tape and Reel Package



No. of Contacts	Dimension	
	A	B
05	4.4 (0.173)	6.5 (0.256)
06	4.9 (0.193)	7.0 (0.276)
07	5.4 (0.213)	7.5 (0.295)
08	5.9 (0.232)	8.0 (0.315)
09	6.4 (0.252)	8.5 (0.335)
10	6.9 (0.272)	9.0 (0.354)
11	7.4 (0.291)	9.5 (0.374)
12	7.9 (0.311)	10.0 (0.394)
13	8.4 (0.331)	10.5 (0.413)
14	8.9 (0.350)	11.0 (0.433)
15	9.4 (0.370)	11.5 (0.453)
16	9.9 (0.390)	12.0 (0.472)
17	10.4 (0.409)	12.5 (0.492)
18	10.9 (0.429)	13.0 (0.512)
19	11.4 (0.449)	13.5 (0.531)
20	11.9 (0.469)	14.0 (0.551)

HOW TO ORDER

04

6266

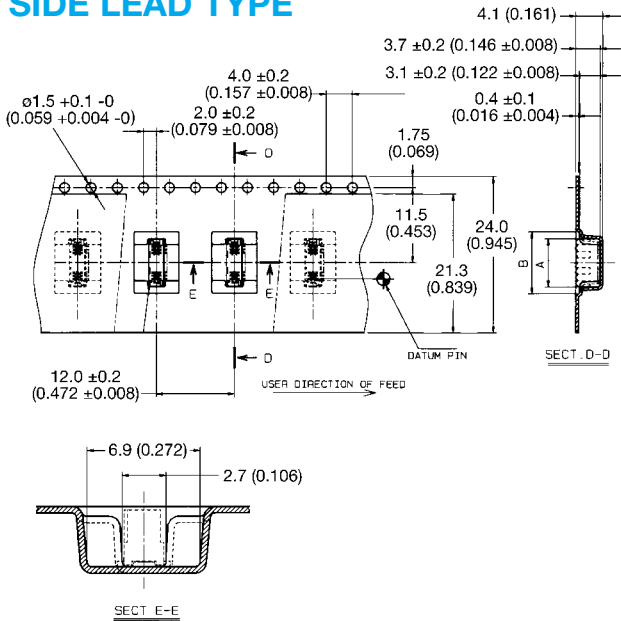
0XX

001

800

Number of Contacts

ONE SIDE LEAD TYPE



No. of Contacts	Dimension	
	A	B
11	7.4 (0.291)	9.5 (0.374)
13	8.4 (0.331)	10.5 (0.413)

HOW TO ORDER

04

6266

0XX

011

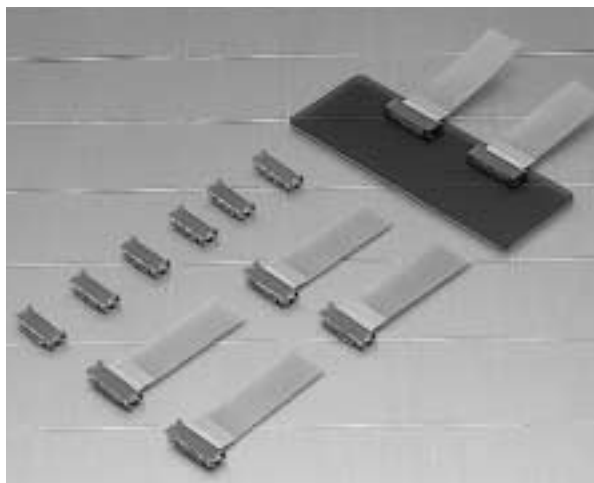
800

Number of Contacts

1000 Connectors per Tape and Reel.

0.80mm Pitch

Product Selector Guide



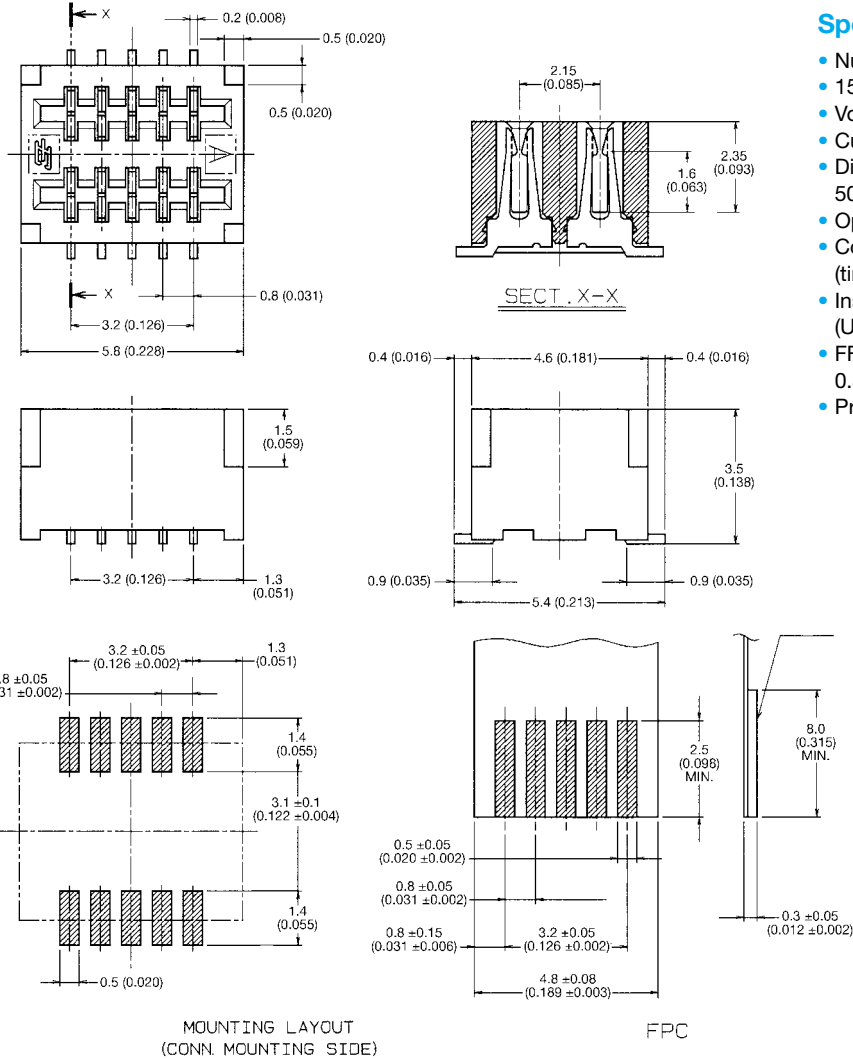
SMT	ST (Vertical)	ZIF	
		NON-ZIF (LIF)	6218
	RA (Right Angle)	ZIF	
		NON-ZIF (LIF)	6206
DIP (Through Hole)	ST (Vertical)	ZIF	
		NON-ZIF (LIF)	
	RA (Right Angle)	ZIF	
		NON-ZIF (LIF)	
	Bottom Entry	NON-ZIF (LIF)	
Direct	-		

millimeters (inches)

Series	6218	6206	
Type	NON-ZIF (LIF) ST SMT	NON-ZIF (LIF) RA SMT	
Contact	Dual	Dual	
Profile Height in mm	3.50 (0.138)	2.00 (0.079)	
Number of Contacts	10	4-20	
Current Rating	0.5A Max.	0.5A Max.	
Voltage Rating	50V Max.	50V Max.	
Dielectric Withstanding Voltage	500Vrms	500Vrms	
Contact Material	Phosphor bronze, Tin-Plated		
Insulator Material	Glass-filled Nylon	Glass-filled PPS	
Operating Temperature	-40°C~+85°C	-40°C~+85°C	
FFC/FPC Thickness	0.3±0.05 (0.012±0.002)	0.3±0.05 (0.012±0.002)	
Page	40	41-42	

0.80mm Pitch

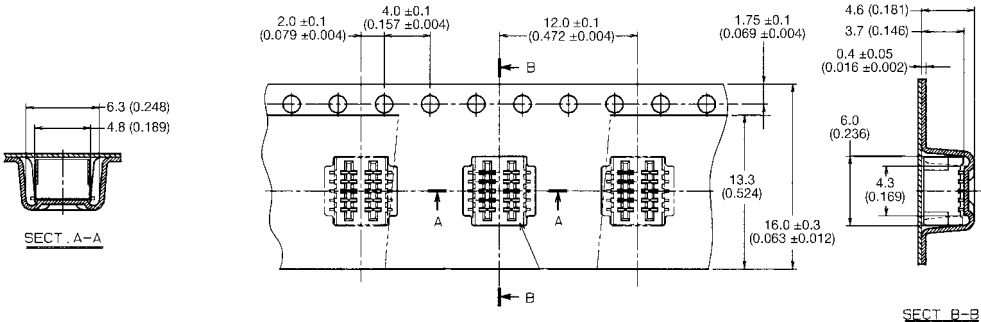
Series 6218 - LIF Vertical SMT Dual Type



Specifications

- Number of Contacts – 10
- 1500 Connectors per Tape & Reel
- Voltage – 50V
- Current Rating – 0.5 amp max.
- Dielectric Withstanding Voltage – 500V RMS min.
- Operating Temperature – (-25°C - +85°C)
- Contact Material – phosphor bronze (tin-lead plated)
- Insulator Material – nylon 46, natural color (UL 94 V-0)
- FFC/FPC Thickness – 0.3 ±0.05 mm (0.012 ±0.002")
- Profile Height – 3.50mm (0.138")

TAPE AND REEL PACKAGE



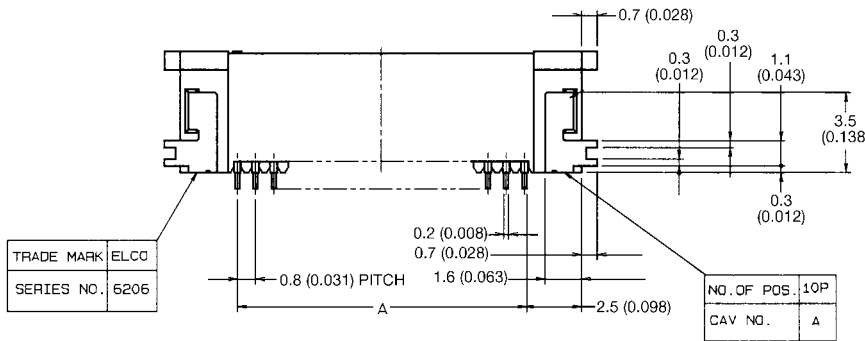
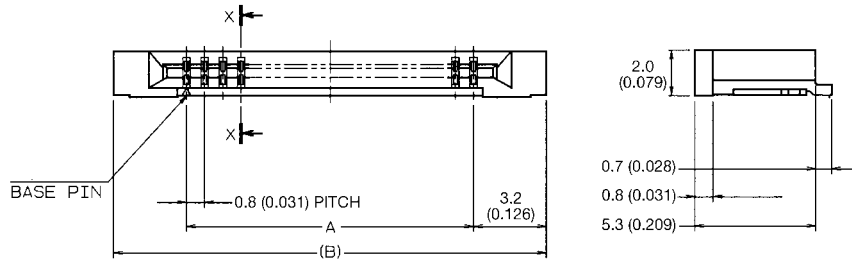
HOW TO ORDER

04 6218 010 000 800
 Number of Contacts

1500 Connectors per Tape and Reel.

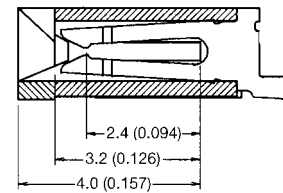
0.80mm Pitch

Series 6206 - LIF Right Angle SMT (Dual Sided Contact Type)

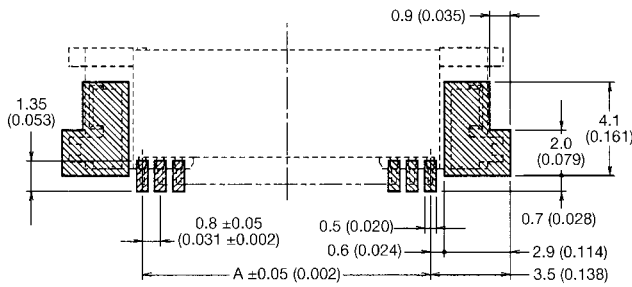


Specifications

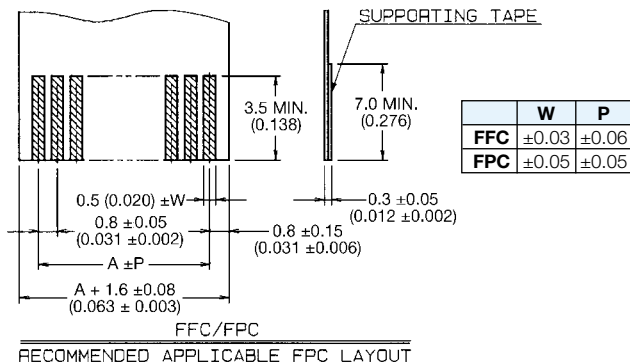
- Number of Contacts – 4-20
- 1000 Connectors per Tape & Reel
- Voltage – 50V
- Current Rating – 0.5 amp max.
- Dielectric Withstanding Voltage – 500V RMS min.
- Operating Temperature – (-25°C - +85°C)
- Contact & Metal Tab Material – phosphor bronze (tin-lead plated)
- Insulator Material – PPS, natural color (UL 94 V-O)
- FFC/FPC Thickness – 0.3 ±0.05mm (0.012 ±0.002")
- Profile Height – 2.00mm (0.079")



SECT X-X



MOUNTING LAYOUT
(CONN. MOUNTING SIDE)



No. of Contacts	Dimension	
	A	B
04	2.4 (0.094)	8.8 (0.346)
05	3.2 (0.126)	9.6 (0.378)
06	4.0 (0.157)	10.4 (0.409)
07	4.8 (0.189)	11.2 (0.441)
08	5.6 (0.220)	12.0 (0.472)
09	6.4 (0.252)	12.8 (0.504)
10	7.2 (0.283)	13.6 (0.535)
11	8.0 (0.315)	14.4 (0.567)
12	8.8 (0.346)	15.2 (0.598)
13	9.6 (0.378)	16.0 (0.630)
14	10.4 (0.409)	16.8 (0.661)
15	11.2 (0.441)	17.6 (0.693)
16	12.0 (0.472)	18.4 (0.724)
17	12.8 (0.504)	19.2 (0.756)
18	13.6 (0.535)	20.0 (0.787)
19	14.4 (0.567)	20.8 (0.819)
20	15.2 (0.598)	21.6 (0.850)

HOW TO ORDER

04

6206

0XX

000

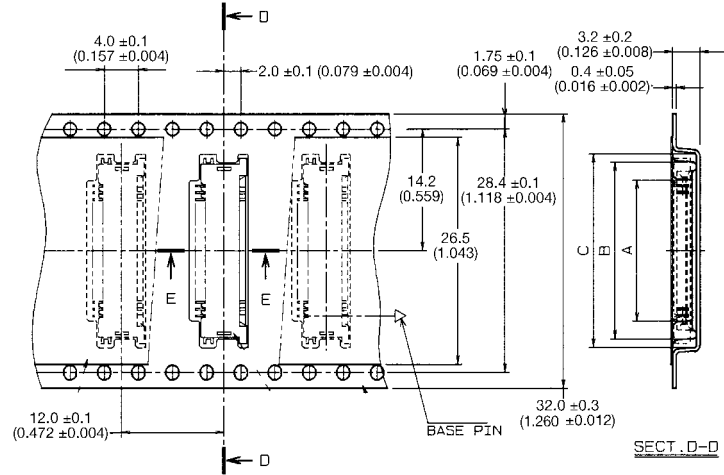
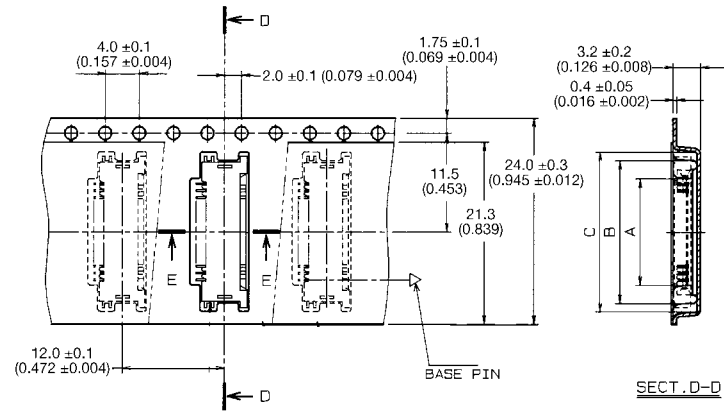
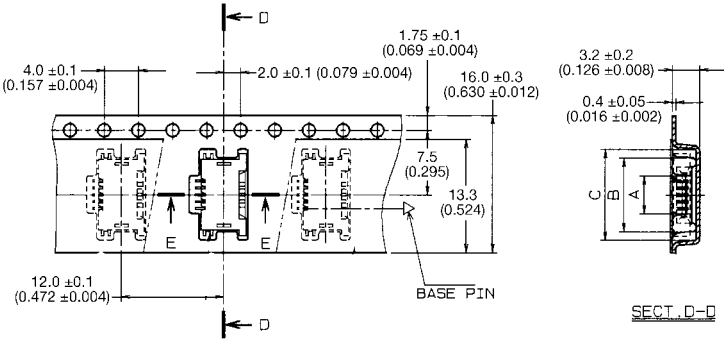
800

Number of Contacts

1000 Connectors per Tape and Reel.

0.80mm Pitch

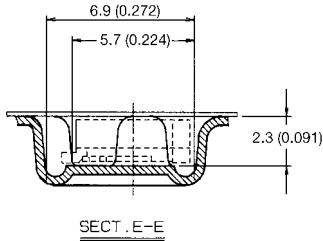
Series 6206 - Tape and Reel Package



Assembly Number	No. of Contacts	A	B	C
04 6206 004 000 800	04	3.6 (0.142)	7.8 (0.307)	9.8 (0.386)
04 6206 005 000 800	05	4.4 (0.173)	8.6 (0.339)	10.6 (0.417)

Assembly Number	No. of Contacts	A	B	C
04 6206 006 000 800	06	5.2 (0.205)	9.4 (0.370)	11.4 (0.449)
↑ 007 ↑	07	6.0 (0.236)	10.2 (0.402)	12.2 (0.480)
008	08	6.8 (0.268)	11.0 (0.433)	13.0 (0.512)
009	09	7.6 (0.299)	11.8 (0.465)	13.8 (0.543)
010	10	8.4 (0.331)	12.6 (0.496)	14.6 (0.575)
011	11	9.2 (0.362)	13.4 (0.528)	15.4 (0.606)
012	12	10.0 (0.394)	14.2 (0.559)	16.2 (0.638)
013	13	10.8 (0.425)	15.0 (0.591)	17.0 (0.669)
↓ 014 ↓	14	11.6 (0.457)	15.8 (0.622)	17.8 (0.701)
04 6206 015 000 800	15	12.4 (0.488)	16.6 (0.654)	18.6 (0.732)

Assembly Number	No. of Contacts	A	B	C
04 6206 016 000 800	16	13.2 (0.520)	17.4 (0.685)	19.4 (0.764)
↑ 017 ↑	17	14.0 (0.551)	18.2 (0.717)	20.2 (0.795)
018	18	14.8 (0.583)	19.0 (0.748)	21.0 (0.827)
↓ 019 ↓	19	15.6 (0.614)	19.8 (0.780)	21.8 (0.858)
04 6206 020 000 800	20	16.4 (0.646)	20.6 (0.811)	22.6 (0.890)



HOW TO ORDER

04

6206

0XX

000

800

Number of Contacts

1000 Connectors per Tape and Reel.

1.00mm Pitch

Product Selector Guide



We also can supply C/Ag (Carbon Silver) type connectors.

SMT	ST (Vertical)	ZIF	6208 6229 6248
		NON-ZIF (LIF)	6226 6232
	RA (Right Angle)	ZIF	6200 6224
		NON-ZIF (LIF)	6227 6232
DIP (Through Hole)	ST (Vertical)	ZIF	6229 6208
		NON-ZIF (LIF)	6232
	RA (Right Angle)	ZIF	6200
		NON-ZIF (LIF)	6232 6228

millimeters (inches)

Series	6232					6200		6224
Type	NON-ZIF (LIF) RA DIP	NON-ZIF (LIF) ST DIP	NON-ZIF (LIF) RA SMT	NON-ZIF (LIF) RA SMT	NON-ZIF (LIF) ST SMT	ZIF RA DIP	ZIF RA SMT	ZIF RA SMT
Contact	Bottom	Single	Top	Bottom	Single	Bottom	Bottom	Top
Profile Height in mm	3.00 (0.118)	5.50 (0.217)	3.00 (0.118)	3.00 (0.118)	5.10 (0.201)	2.90 (0.114)	2.90 (0.114)	2.90 (0.114)
Number of Contacts	3-30	3-30	3-30	3-30	3-30	5-30	5-30	5-30
Current Rating	0.5A Max.	0.5A Max.	0.5A Max.	0.5A Max.	0.5A Max.	1.0A Max.	1.0A Max.	1.0A Max.
Voltage Rating	50V Max.	50V Max.	50V Max.	50V Max.	50V Max.	50V Max.	50V Max.	50V Max.
Dielectric Withstanding Voltage	500Vrms	500Vrms	500Vrms	500Vrms	500Vrms	500Vrms	500Vrms	500Vrms
Contact Material	Phosphor bronze, Tin-Plated							
Insulator Material	(Glass-filled Nylon) (Glass-filled PPS)	Glass-filled Nylon	Glass-filled PPS	Glass-filled PPS	Glass-filled PPS	Glass-filled PPS	Glass-filled PPS	Glass-filled PPS
Operating Temperature	-40°C~+85°C		-40°C~+85°C			-40°C~+85°C	-40°C~+85°C	-40°C~+85°C
FFC/FPC Thickness	0.3±0.05 (0.012±0.002)	0.3±0.05 (0.012±0.002)	0.3±0.05 (0.012±0.002)	0.3±0.05 (0.012±0.002)	0.3±0.05 (0.012±0.002)	0.3±0.05 (0.012±0.002)	0.3±0.05 (0.012±0.002)	0.3±0.05 (0.012±0.002)
Page	45-52					53-56		57-58

RA = Right Angle ST = Straight DIP = Through Hole

1.00mm Pitch



Product Selector Guide

millimeters (inches)

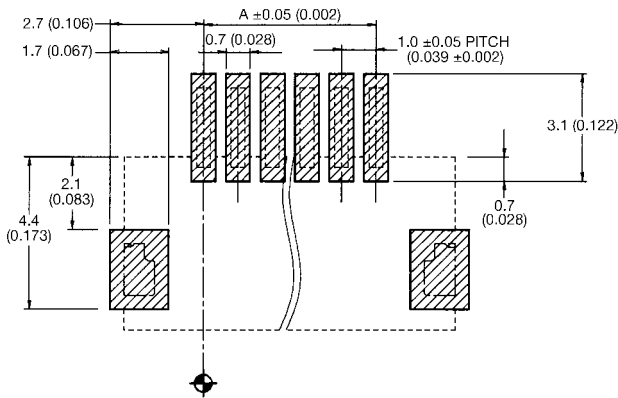
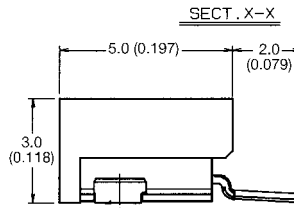
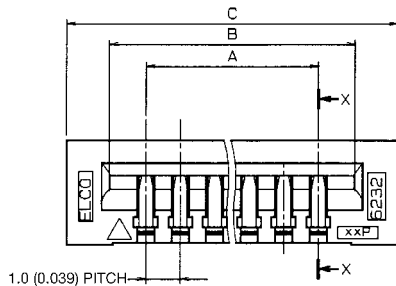
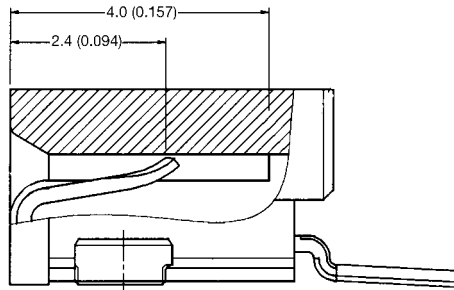
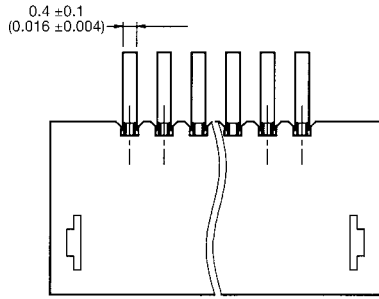
Series	6208		6229		6248	6226	6227	6228
Type	ZIF ST DIP	ZIF ST SMT	ZIF ST DIP	ZIF ST SMT	ZIF ST SMT Slide-Lock	NON-ZIF (LIF) ST SMT	NON-ZIF (LIF) RA SMT	NON-ZIF (LIF) RA DIP
Contact	Single	Single	Single	Single	Single	Dual	Dual	Top
Profile Height in mm	5-19P; 5.0 (0.197) 20-25P; 5.2 (0.205) 26-30P; 5.5 (0.217)		5.70 (0.224)	5.70 (0.224)	5.50 (0.217)	3.50 (0.138)	2.00 (0.079)	3.00 (0.118)
Number of Contacts	5-30	5-30	40	40	24, 30	4-20	4-20	3-30
Current Rating	1.0A Max.	1.0A Max.	1.0A Max.	1.0A Max.	0.5A Max.	1.0A Max.	1.0A Max.	0.5A Max.
Voltage Rating	50V Max.	50V Max.	50V Max.	50V Max.	50V Max.	50V Max.	50V Max.	50V Max.
Dielectric Withstanding Voltage	500Vrms	500Vrms	500Vrms	500Vrms	500Vrms	500Vrms	500Vrms	500Vrms
Contact Material	Phosphor bronze, Tin-Plated							
Insulator Material	Glass-filled Nylon	Glass-filled PPS	Glass-filled PPS	Glass-filled PPS	Heat Resistance Plastic	Glass-filled Nylon	Glass-filled Nylon	Glass-filled Nylon
Operating Temperature	-40°C~+85°C	-40°C~+85°C	-40°C~+85°C		-40°C~+85°C	-40°C~+85°C	-40°C~+85°C	-40°C~+85°C
FFC/FPC Thickness	0.3±0.05 (0.012±0.002)	0.3±0.05 (0.012±0.002)	0.3±0.05 (0.012±0.002)	0.3±0.05 (0.012±0.002)	0.3±0.05 (0.012±0.002)	0.3±0.05 (0.012±0.002)	0.3±0.05 (0.012±0.002)	0.3±0.05 (0.012±0.002)
Page	59-61		62-63		64	65-66	67-68	69

SMT	ST (Vertical)	ZIF	6208 6229 6248
		NON-ZIF (LIF)	6226 6232
	RA (Right Angle)	ZIF	6200 6224
		NON-ZIF (LIF)	6227 6232
DIP (Through Hole)	ST (Vertical)	ZIF	6229 6208
		NON-ZIF (LIF)	6232
	RA (Right Angle)	ZIF	6200
		NON-ZIF (LIF)	6232 6228

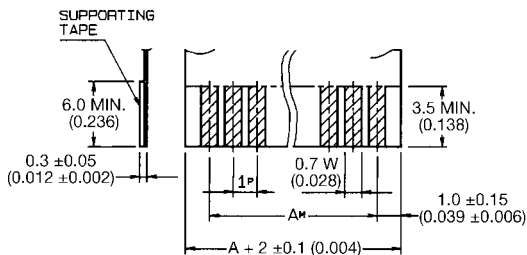
RA = Right Angle ST = Straight DIP = Through Hole

1.00mm Pitch

Series 6232 - LIF Right Angle SMT (Bottom Contact Type)



MOUNTING LAYOUT (CONN. MOUNTING SIDE)



FFC/FPC
APPLICABLE FFC/FPC

Tolerance			
Kind	P	W	M
FFC	±0.05	±0.03	±0.1
FPC	±0.02	+0.1 -0.05	±0.05

No. of Contacts	Assembly Number				
	A	B	C		
03	04 6232 103 102 800	2.0 (0.079)	4.1 (0.161)	6.6 (0.260)	
04	↑ 104 ↑	3.0 (0.118)	5.1 (0.201)	7.6 (0.299)	
05	105	4.0 (0.157)	6.1 (0.240)	8.6 (0.339)	
06	106	5.0 (0.197)	7.1 (0.280)	9.6 (0.378)	
07	107	6.0 (0.236)	8.1 (0.319)	10.6 (0.417)	
08	108	7.0 (0.276)	9.1 (0.358)	11.6 (0.457)	
09	109	8.0 (0.315)	10.1 (0.398)	12.6 (0.496)	
10	110	9.0 (0.354)	11.1 (0.437)	13.6 (0.535)	
11	111	10.0 (0.394)	12.1 (0.476)	14.6 (0.575)	
12	112	11.0 (0.433)	13.1 (0.516)	15.6 (0.614)	
13	113	12.0 (0.472)	14.1 (0.555)	16.6 (0.654)	
14	114	13.0 (0.512)	15.1 (0.594)	17.6 (0.693)	
15	115	14.0 (0.551)	16.1 (0.634)	18.6 (0.732)	
16	116	15.0 (0.591)	17.1 (0.673)	19.6 (0.772)	
17	117	16.0 (0.630)	18.1 (0.713)	20.6 (0.811)	
18	118	17.0 (0.669)	19.1 (0.752)	21.6 (0.850)	
19	119	18.0 (0.709)	20.1 (0.791)	22.6 (0.890)	
20	120	19.0 (0.748)	21.1 (0.831)	23.6 (0.929)	
21	121	20.0 (0.787)	22.1 (0.870)	24.6 (0.969)	
22	122	21.0 (0.827)	23.1 (0.909)	25.6 (1.008)	
23	123	22.0 (0.866)	24.1 (0.949)	26.6 (1.047)	
24	124	23.0 (0.906)	25.1 (0.988)	27.6 (1.087)	
25	125	24.0 (0.945)	26.1 (1.028)	28.6 (1.126)	
26	126	25.0 (0.984)	27.1 (1.067)	29.6 (1.165)	
27	127	26.0 (1.024)	28.1 (1.106)	30.6 (1.205)	
28	128	27.0 (1.063)	29.1 (1.146)	31.6 (1.244)	
29	↓ 129 ↓	28.0 (1.102)	30.1 (1.185)	32.6 (1.283)	
30	04 6232 130 102 800	29.0 (1.142)	31.1 (1.224)	33.6 (1.323)	

HOW TO ORDER

04

6232

1XX

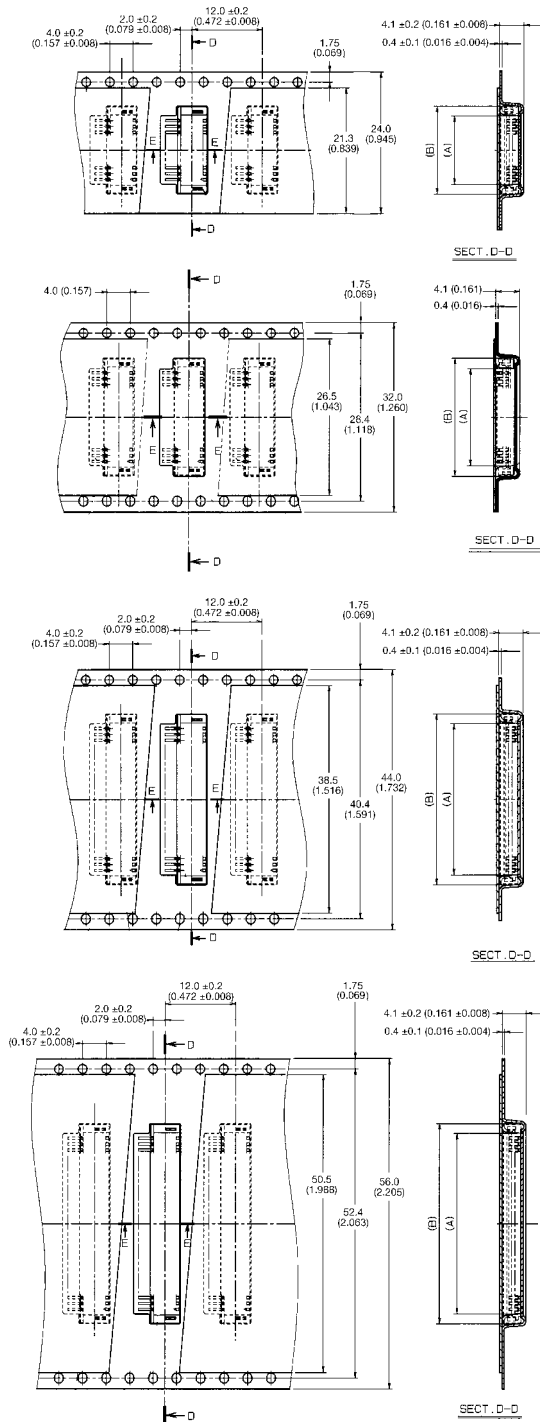
102

800

Number of Contacts

1.00mm Pitch

Series 6232 - Tape and Reel Package

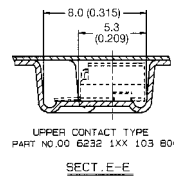


Assembly Number	No. of Contacts	A	B
04 6232 103 10X 800	03	3.6 (0.142)	6.9 (0.272)
↑ 104 ↑	04	4.6 (0.181)	7.9 (0.311)
105	05	5.6 (0.220)	8.9 (0.350)
106	06	6.6 (0.260)	9.9 (0.390)
107	07	7.6 (0.299)	10.9 (0.429)
108	08	8.6 (0.339)	11.9 (0.469)
109	09	9.6 (0.378)	12.9 (0.508)
↓ 110 ↓	10	10.6 (0.417)	13.9 (0.547)
04 6232 111 10X 800	11	11.6 (0.457)	14.9 (0.587)

Assembly Number	No. of Contacts	A	B
04 6232 112 10X 800	12	12.6 (0.496)	15.9 (0.626)
↑ 113 ↑	13	13.6 (0.535)	16.9 (0.665)
114	14	14.6 (0.575)	17.9 (0.705)
115	15	15.6 (0.614)	18.9 (0.744)
116	16	16.6 (0.654)	19.9 (0.783)
↓ 117 ↓	17	17.6 (0.693)	20.9 (0.823)
04 6232 118 10X 800	18	18.6 (0.732)	21.9 (0.862)

Assembly Number	No. of Contacts	A	B
04 6232 119 10X 800	19	19.6 (0.772)	22.9 (0.902)
↑ 120 ↑	20	20.6 (0.811)	23.9 (0.941)
121	21	21.6 (0.850)	24.9 (0.980)
122	22	22.6 (0.890)	25.9 (1.020)
123	23	23.6 (0.929)	26.9 (1.059)
↓ 124 ↓	24	24.6 (0.969)	27.9 (1.098)
04 6232 125 10X 800	25	25.6 (1.008)	28.9 (1.138)

Assembly Number	No. of Contacts	A	B
04 6232 103 10X 800	03	3.6 (0.142)	6.9 (0.272)
↑ 104 ↑	04	4.6 (0.181)	7.9 (0.311)
105	05	5.6 (0.220)	8.9 (0.350)
106	06	6.6 (0.260)	9.9 (0.390)
107	07	7.6 (0.299)	10.9 (0.429)
108	08	8.6 (0.339)	11.9 (0.469)
↓ 109 ↓	09	9.6 (0.378)	12.9 (0.508)
04 6232 110 10X 800	10	10.6 (0.417)	13.9 (0.547)



HOW TO ORDER

04

6232

1XX

102

800

Number of Contacts

1000 Connectors per Tape and Reel.

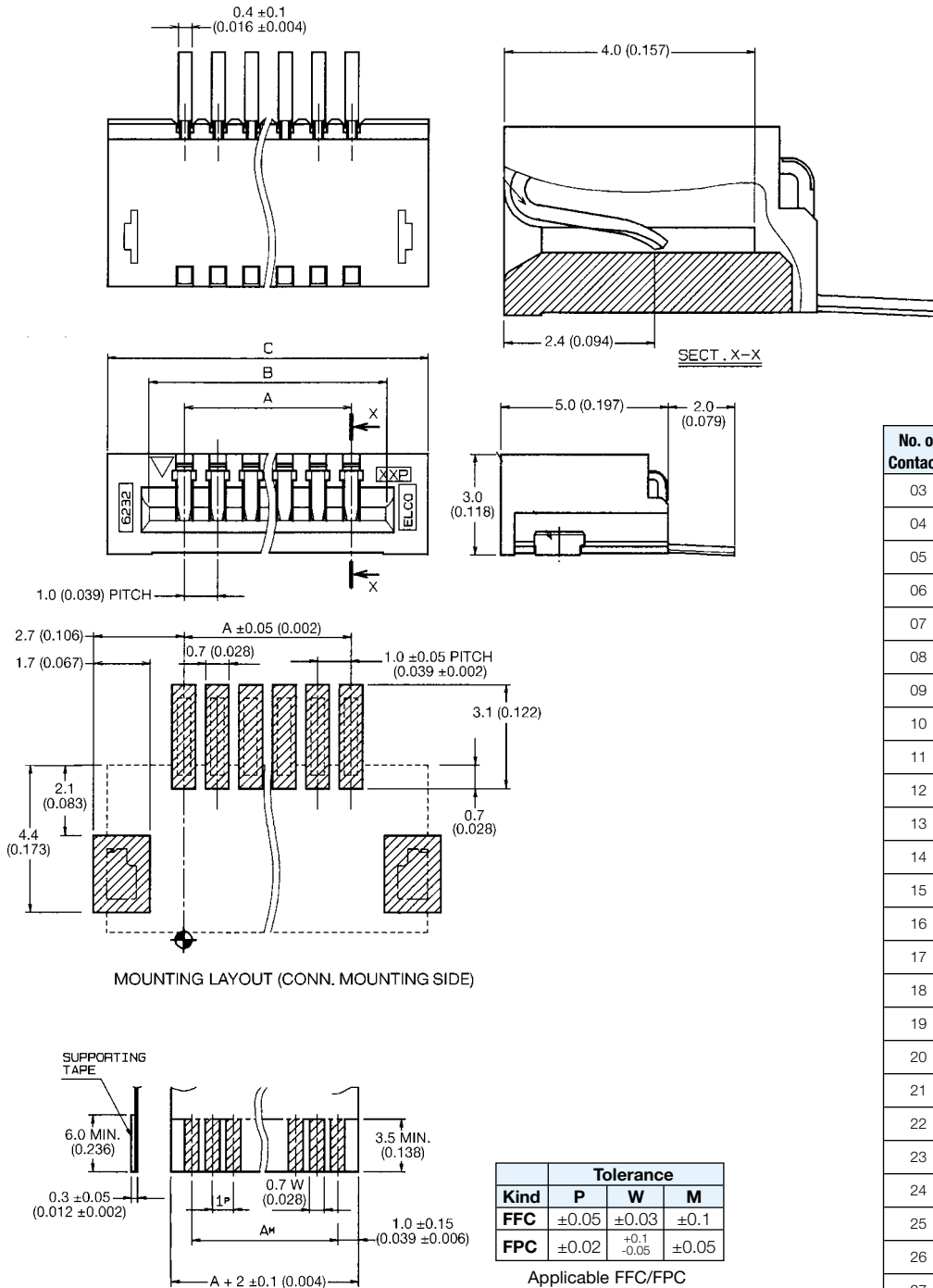
1.00mm Pitch



Series 6232 - LIF Right Angle SMT (Top Contact Type)

Specifications

- Number of Contacts – 3-30
- Tray Packaged or SMT Tape & Reel
- Voltage – 50V
- Current Rating – 0.5 amp max.
- Dielectric Withstanding Voltage – 500V RMS min.
- Operating Temperature – (-20°C - +70°C)
- Contact Material – phosphor bronze (tin-lead plated)
- Insulator Material – glass filled PPS or nylon
- FFC/FPC Thickness – 0.3 ±0.05mm (0.012 ±0.002")
- Profile Height – 3.0mm - 5.1mm (see sketch)



No. of Contacts	Assembly Number			
	A	B	C	
03	04 6232 103 103 800	2.0 (0.079)	4.1 (0.161)	6.6 (0.260)
04	104	3.0 (0.118)	5.1 (0.201)	7.6 (0.299)
05	105	4.0 (0.157)	6.1 (0.240)	8.6 (0.339)
06	106	5.0 (0.197)	7.1 (0.280)	9.6 (0.378)
07	107	6.0 (0.236)	8.1 (0.319)	10.6 (0.417)
08	108	7.0 (0.276)	9.1 (0.358)	11.6 (0.457)
09	109	8.0 (0.315)	10.1 (0.398)	12.6 (0.496)
10	110	9.0 (0.354)	11.1 (0.437)	13.6 (0.535)
11	111	10.0 (0.394)	12.1 (0.476)	14.6 (0.575)
12	112	11.0 (0.433)	13.1 (0.516)	15.6 (0.614)
13	113	12.0 (0.472)	14.1 (0.555)	16.6 (0.654)
14	114	13.0 (0.512)	15.1 (0.594)	17.6 (0.693)
15	115	14.0 (0.551)	16.1 (0.634)	18.6 (0.732)
16	116	15.0 (0.591)	17.1 (0.673)	19.6 (0.772)
17	117	16.0 (0.630)	18.1 (0.713)	20.6 (0.811)
18	118	17.0 (0.669)	19.1 (0.752)	21.6 (0.850)
19	119	18.0 (0.709)	20.1 (0.791)	22.6 (0.890)
20	120	19.0 (0.748)	21.1 (0.831)	23.6 (0.929)
21	121	20.0 (0.787)	22.1 (0.870)	24.6 (0.969)
22	122	21.0 (0.827)	23.1 (0.909)	25.6 (1.008)
23	123	22.0 (0.866)	24.1 (0.949)	26.6 (1.047)
24	124	23.0 (0.906)	25.1 (0.988)	27.6 (1.087)
25	125	24.0 (0.945)	26.1 (1.028)	28.6 (1.126)
26	126	25.0 (0.984)	27.1 (1.067)	29.6 (1.165)
27	127	26.0 (1.024)	28.1 (1.106)	30.6 (1.205)
28	128	27.0 (1.063)	29.1 (1.146)	31.6 (1.244)
29	129	28.0 (1.102)	30.1 (1.185)	32.6 (1.283)
30	04 6232 130 103 800	29.0 (1.142)	31.1 (1.224)	33.6 (1.323)

HOW TO ORDER

04

6232

1XX

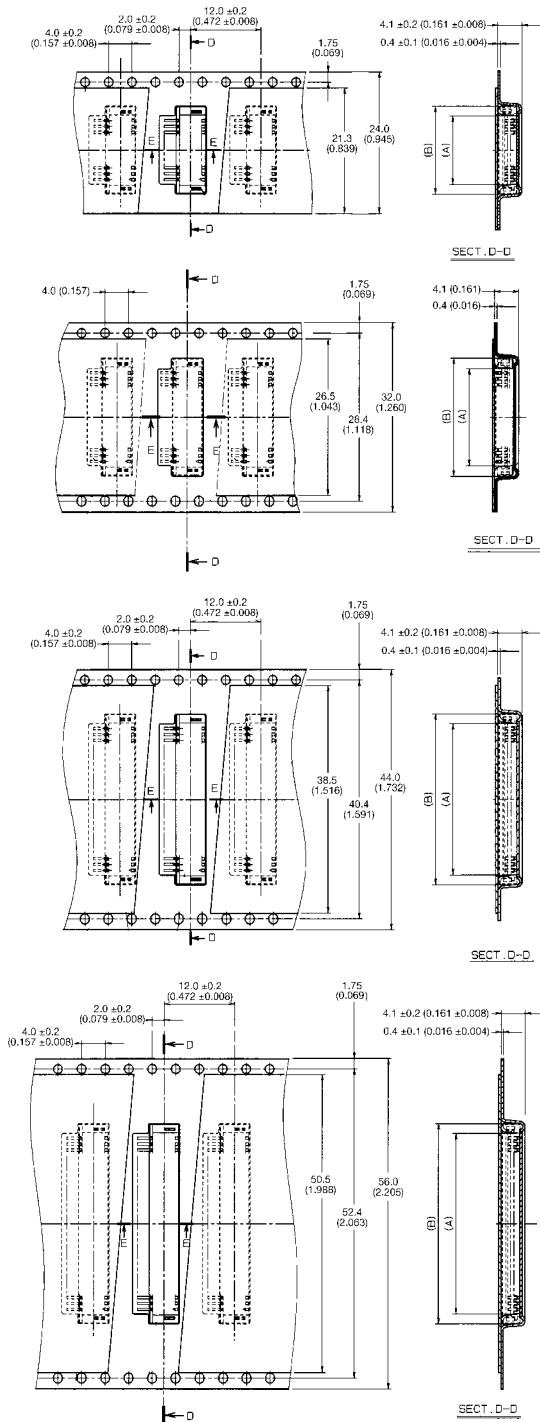
103

800

Number of Contacts

1.00mm Pitch

Series 6232 - Tape and Reel Package



Assembly Number	No. of Contacts	A	B
04 6232 103 10X 800	03	3.6 (0.142)	6.9 (0.272)
↑ 104 ↑	04	4.6 (0.181)	7.9 (0.311)
105	05	5.6 (0.220)	8.9 (0.350)
106	06	6.6 (0.260)	9.9 (0.390)
107	07	7.6 (0.299)	10.9 (0.429)
108	08	8.6 (0.339)	11.9 (0.469)
109	09	9.6 (0.378)	12.9 (0.508)
↓ 110 ↓	10	10.6 (0.417)	13.9 (0.547)
04 6232 111 10X 800	11	11.6 (0.457)	14.9 (0.587)

Assembly Number	No. of Contacts	A	B
04 6232 112 10X 800	12	12.6 (0.496)	15.9 (0.626)
↑ 113 ↑	13	13.6 (0.535)	16.9 (0.665)
114	14	14.6 (0.575)	17.9 (0.705)
115	15	15.6 (0.614)	18.9 (0.744)
116	16	16.6 (0.654)	19.9 (0.783)
↓ 117 ↓	17	17.6 (0.693)	20.9 (0.823)
04 6232 118 10X 800	18	18.6 (0.732)	21.9 (0.862)

Assembly Number	No. of Contacts	A	B
04 6232 119 10X 800	19	19.6 (0.772)	22.9 (0.902)
↑ 120 ↑	20	20.6 (0.811)	23.9 (0.941)
121	21	21.6 (0.850)	24.9 (0.980)
122	22	22.6 (0.890)	25.9 (1.020)
123	23	23.6 (0.929)	26.9 (1.059)
↓ 124 ↓	24	24.6 (0.969)	27.9 (1.098)
04 6232 125 10X 800	25	25.6 (1.008)	28.9 (1.138)

Assembly Number	No. of Contacts	A	B
04 6232 103 10X 800	03	3.6 (0.142)	6.9 (0.272)
↑ 104 ↑	04	4.6 (0.181)	7.9 (0.311)
105	05	5.6 (0.220)	8.9 (0.350)
106	06	6.6 (0.260)	9.9 (0.390)
107	07	7.6 (0.299)	10.9 (0.429)
108	08	8.6 (0.339)	11.9 (0.469)
↓ 109 ↓	09	9.6 (0.378)	12.9 (0.508)
04 6232 110 10X 800	10	10.6 (0.417)	13.9 (0.547)

HOW TO ORDER

04

6232

1XX

103

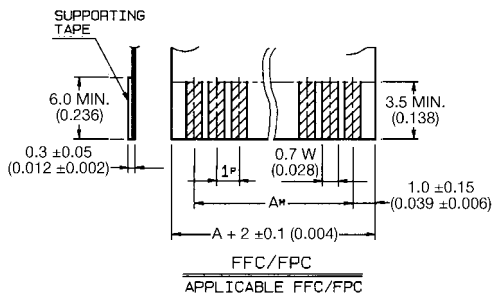
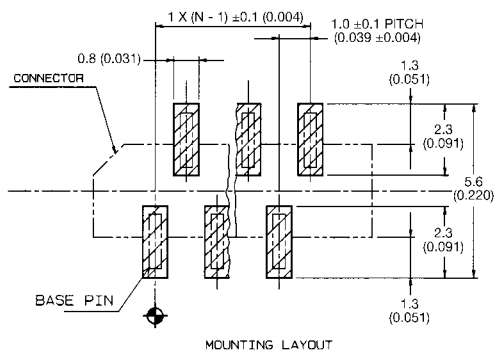
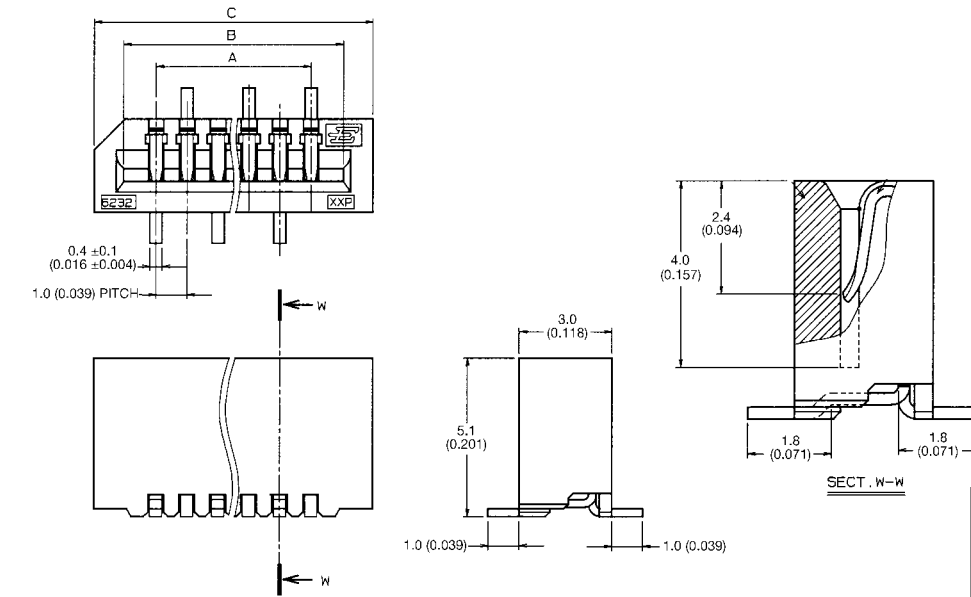
800

Number of Contacts

900 Connectors per Tape and Reel.

1.00mm Pitch

Series 6232 - LIF Vertical SMT



Tolerance			
Kind	P	W	M
FFC	±0.05	±0.03	±0.1
FPC	±0.02	+0.1 -0.05	±0.05

No. of Contacts	Assembly Number			
	A	B	C	
03	00 6232 103 006 800 2.0 (0.079)	4.1 (0.161)	6.0 (0.236)	
04	↑ 104 ↑ 3.0 (0.118)	5.1 (0.201)	7.0 (0.276)	
05	105 4.0 (0.157)	6.1 (0.240)	8.0 (0.315)	
06	106 5.0 (0.197)	7.1 (0.280)	9.0 (0.354)	
07	107 6.0 (0.236)	8.1 (0.319)	10.0 (0.394)	
08	108 7.0 (0.276)	9.1 (0.358)	11.0 (0.433)	
09	109 8.0 (0.315)	10.1 (0.398)	12.0 (0.472)	
10	110 9.0 (0.354)	11.1 (0.437)	13.0 (0.512)	
11	111 10.0 (0.394)	12.1 (0.476)	14.0 (0.551)	
12	112 11.0 (0.433)	13.1 (0.516)	15.0 (0.591)	
13	113 12.0 (0.472)	14.1 (0.555)	16.0 (0.630)	
14	114 13.0 (0.512)	15.1 (0.594)	17.0 (0.669)	
15	115 14.0 (0.551)	16.1 (0.634)	18.0 (0.709)	
16	116 15.0 (0.591)	17.1 (0.673)	19.0 (0.748)	
17	117 16.0 (0.630)	18.1 (0.713)	20.0 (0.787)	
18	118 17.0 (0.669)	19.1 (0.752)	21.0 (0.827)	
19	119 18.0 (0.709)	20.1 (0.791)	22.0 (0.866)	
20	120 19.0 (0.748)	21.1 (0.831)	23.0 (0.906)	
21	121 20.0 (0.787)	22.1 (0.870)	24.0 (0.945)	
22	122 21.0 (0.827)	23.1 (0.909)	25.0 (0.984)	
23	123 22.0 (0.866)	24.1 (0.949)	26.0 (1.024)	
24	124 23.0 (0.906)	25.1 (0.988)	27.0 (1.063)	
25	125 24.0 (0.945)	26.1 (1.028)	28.0 (1.102)	
26	126 25.0 (0.984)	27.1 (1.067)	29.0 (1.142)	
27	127 26.0 (1.024)	28.1 (1.106)	30.0 (1.181)	
28	128 27.0 (1.063)	29.1 (1.146)	31.0 (1.220)	
29	↓ 129 ↓ 28.0 (1.102)	30.1 (1.185)	32.0 (1.260)	
30	00 6232 130 006 800 29.0 (1.142)	31.1 (1.224)	33.0 (1.299)	

HOW TO ORDER

04

6232

1XX

015

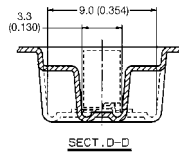
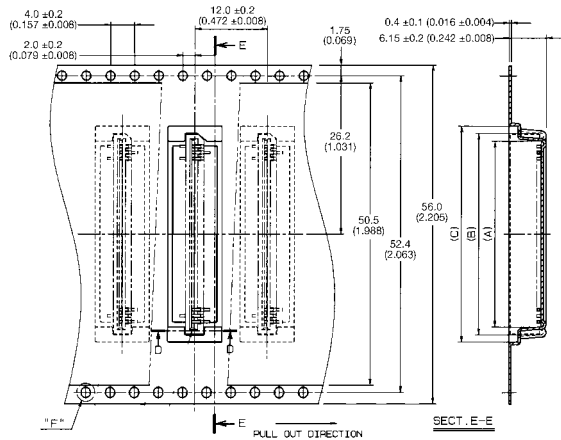
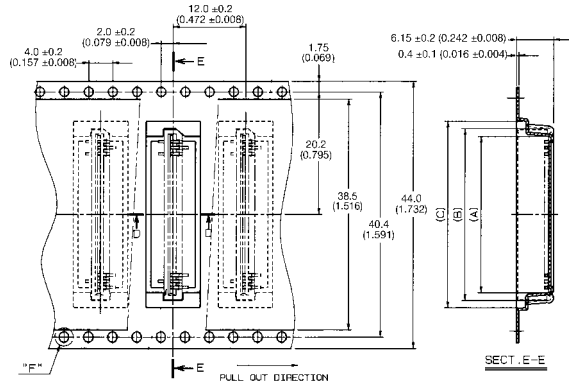
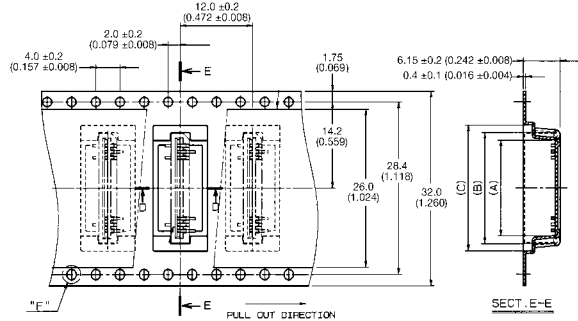
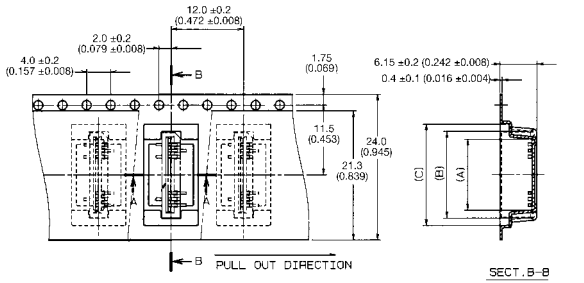
800

Number of Contacts

For tape and reel package refer to page 50.

1.00mm Pitch

Series 6232 - Tape and Reel Package



Assembly Number	No. of Contacts	A	B	C
04 6232 103 015 800	03	3.7 (0.146)	6.3 (0.248)	8.7 (0.343)
↑ 104	↑ 04	4.7 (0.185)	7.3 (0.287)	9.7 (0.382)
105	05	5.7 (0.224)	8.3 (0.327)	10.7 (0.421)
106	06	6.7 (0.264)	9.3 (0.366)	11.7 (0.461)
107	07	7.7 (0.303)	10.3 (0.406)	12.7 (0.500)
108	08	8.7 (0.343)	11.3 (0.445)	13.7 (0.539)
109	09	9.7 (0.382)	12.3 (0.484)	14.7 (0.579)
↓ 110	↓ 10	10.7 (0.421)	13.3 (0.524)	15.7 (0.618)
04 6232 111 015 800	11	11.7 (0.461)	14.3 (0.563)	16.7 (0.658)

Assembly Number	No. of Contacts	A	B	C
04 6232 112 015 800	12	12.7 (0.500)	15.3 (0.602)	17.7 (0.697)
↑ 113	↑ 13	13.7 (0.539)	16.3 (0.642)	18.7 (0.736)
114	14	14.7 (0.579)	17.3 (0.681)	19.7 (0.776)
115	15	15.7 (0.618)	18.3 (0.720)	20.7 (0.815)
116	16	16.7 (0.658)	19.3 (0.760)	21.7 (0.854)
↓ 117	↓ 17	17.7 (0.697)	20.3 (0.799)	22.7 (0.894)
04 6232 118 015 800	18	18.7 (0.736)	21.3 (0.839)	23.7 (0.933)

Assembly Number	No. of Contacts	A	B	C
04 6232 119 015 800	19	19.7 (0.776)	22.3 (0.878)	24.7 (0.972)
↑ 120	↑ 20	20.7 (0.815)	23.3 (0.917)	25.7 (1.012)
121	21	21.7 (0.854)	24.3 (0.957)	26.7 (1.051)
122	22	22.7 (0.894)	25.3 (0.996)	27.7 (1.091)
123	23	23.7 (0.933)	26.3 (1.035)	28.7 (1.130)
↓ 124	↓ 24	24.7 (0.972)	27.3 (1.075)	29.7 (1.169)
04 6232 125 015 800	25	25.7 (1.012)	28.3 (1.114)	30.7 (1.209)

Assembly Number	No. of Contacts	A	B	C
04 6232 126 015 800	26	26.7 (1.051)	29.3 (1.154)	31.7 (1.248)
↑ 127	↑ 27	27.7 (1.091)	30.3 (1.193)	32.7 (1.287)
128	28	28.7 (1.130)	31.3 (1.232)	33.7 (1.327)
↓ 129	↓ 29	29.7 (1.169)	32.3 (1.272)	34.7 (1.366)
04 6232 130 015 800	30	30.7 (1.209)	33.3 (1.311)	35.7 (1.406)

HOW TO ORDER

04

6232

1XX

015

800

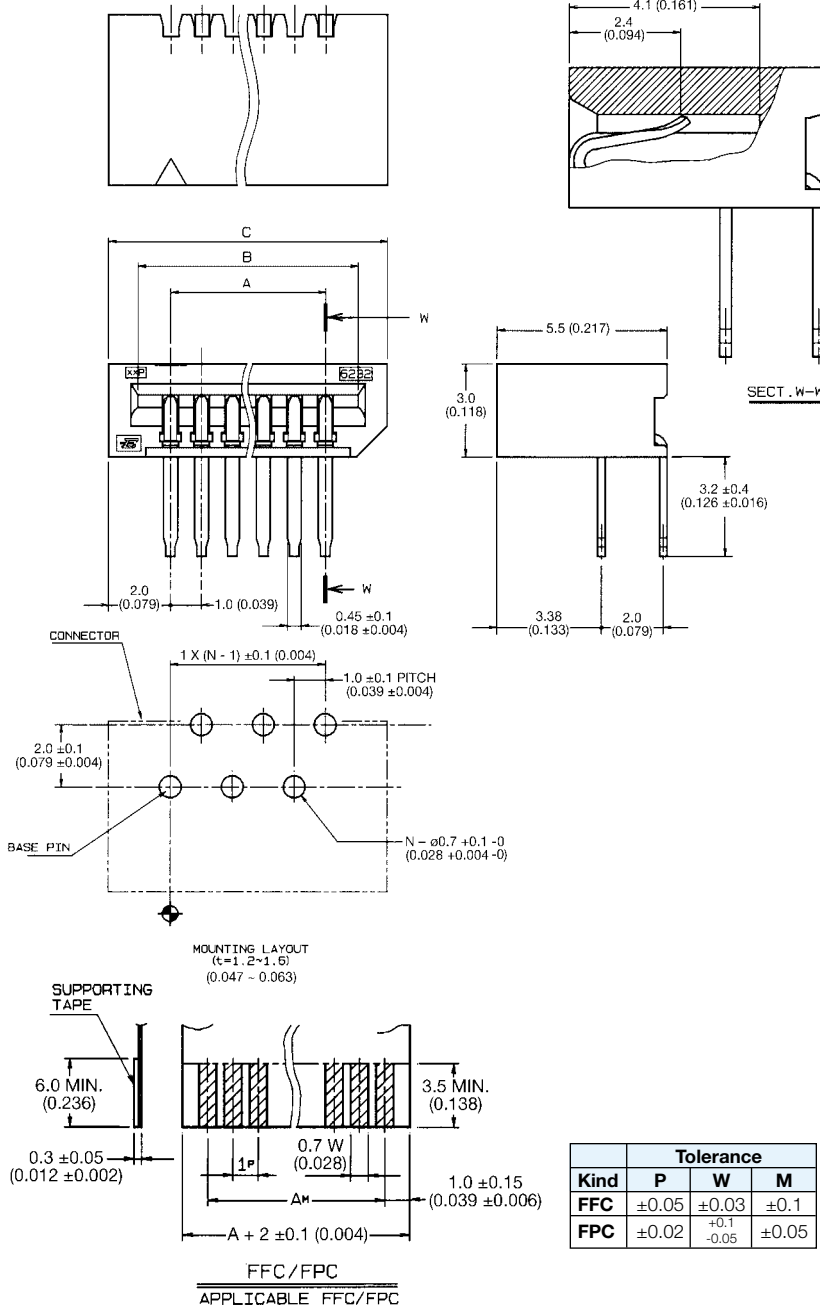
Number of Contacts

900 Connectors per Tape and Reel.



1.00mm Pitch

Series 6232 - LIF Right Angle Through Hole (Bottom Contact Type)



No. of Contacts	Assembly Number			Qty. Per Box	
	A	B	C		
03	00 6232 003 104 800	2.0 (0.079)	4.1 (0.161)	6.0 (0.236)	6000
04	↑ 004 ↑	3.0 (0.118)	5.1 (0.201)	7.0 (0.276)	5100
05	005	4.0 (0.157)	6.1 (0.240)	8.0 (0.315)	4500
06	006	5.0 (0.197)	7.1 (0.280)	9.0 (0.354)	4000
07	007	6.0 (0.236)	8.1 (0.319)	10.0 (0.394)	3600
08	008	7.0 (0.276)	9.1 (0.358)	11.0 (0.433)	3200
09	009	8.0 (0.315)	10.1 (0.398)	12.0 (0.472)	3000
10	010	9.0 (0.354)	11.1 (0.437)	13.0 (0.512)	2700
11	011	10.0 (0.394)	12.1 (0.476)	14.0 (0.551)	2500
12	012	11.0 (0.433)	13.1 (0.516)	15.0 (0.591)	2400
13	013	12.0 (0.472)	14.1 (0.555)	16.0 (0.630)	2200
14	014	13.0 (0.512)	15.1 (0.594)	17.0 (0.669)	2100
15	015	14.0 (0.551)	16.1 (0.634)	18.0 (0.709)	2000
16	016	15.0 (0.591)	17.1 (0.673)	19.0 (0.748)	1900
17	017	16.0 (0.630)	18.1 (0.713)	20.0 (0.787)	1800
18	018	17.0 (0.669)	19.1 (0.752)	21.0 (0.827)	1700
19	019	18.0 (0.709)	20.1 (0.791)	22.0 (0.866)	1600
20	020	19.0 (0.748)	21.1 (0.831)	23.0 (0.906)	1500
21	021	20.0 (0.787)	22.1 (0.870)	24.0 (0.945)	1500
22	022	21.0 (0.827)	23.1 (0.909)	25.0 (0.984)	1400
23	023	22.0 (0.866)	24.1 (0.949)	26.0 (1.024)	1300
24	024	23.0 (0.906)	25.1 (0.988)	27.0 (1.063)	1300
25	025	24.0 (0.945)	26.1 (1.028)	28.0 (1.102)	1200
26	026	25.0 (0.984)	27.1 (1.067)	29.0 (1.142)	1200
27	027	26.0 (1.024)	28.1 (1.106)	30.0 (1.181)	1200
28	028	27.0 (1.063)	29.1 (1.146)	31.0 (1.220)	1100
29	↓ 029 ↓	28.0 (1.102)	30.1 (1.185)	32.0 (1.260)	1100
30	00 6232 030 104 800	29.0 (1.142)	31.1 (1.224)	33.0 (1.299)	1000

HOW TO ORDER

00

6232

0XX

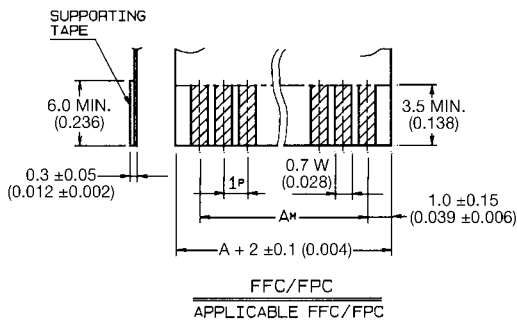
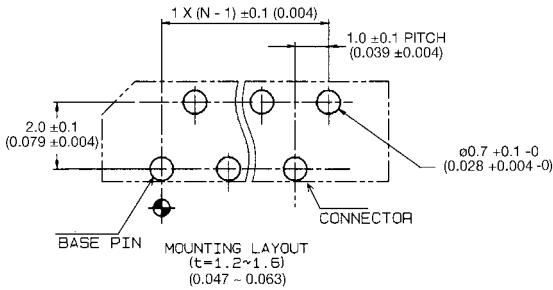
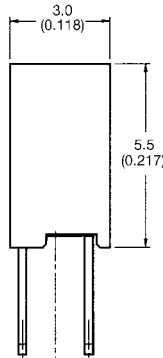
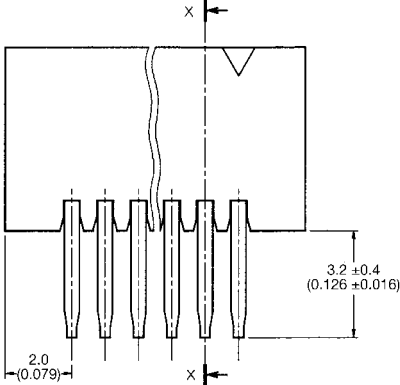
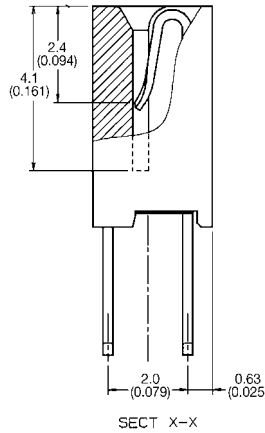
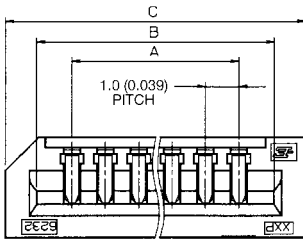
104

800

Number of Contacts

1.00mm Pitch

Series 6232 - LIF Vertical Through Hole



Kind	Tolerance		
	P	W	M
FFC	±0.05	±0.03	±0.1
FPC	±0.02	+0.1 -0.05	±0.05

No. of Contacts	Assembly Number				Qty. Per Box
	A	B	C		
03	00 6232 003 XXX 800	2.0 (0.079)	4.1 (0.161)	6.0 (0.236)	9000
04	↑ 004 ↑	3.0 (0.118)	5.1 (0.201)	7.0 (0.276)	7650
05	005	4.0 (0.157)	6.1 (0.240)	8.0 (0.315)	6750
06	006	5.0 (0.197)	7.1 (0.280)	9.0 (0.354)	6000
07	007	6.0 (0.236)	8.1 (0.319)	10.0 (0.394)	5400
08	008	7.0 (0.276)	9.1 (0.358)	11.0 (0.433)	4950
09	009	8.0 (0.315)	10.1 (0.398)	12.0 (0.472)	4500
10	010	9.0 (0.354)	11.1 (0.437)	13.0 (0.512)	4050
11	011	10.0 (0.394)	12.1 (0.476)	14.0 (0.551)	3750
12	012	11.0 (0.433)	13.1 (0.516)	15.0 (0.591)	3600
13	013	12.0 (0.472)	14.1 (0.555)	16.0 (0.630)	3300
14	014	13.0 (0.512)	15.1 (0.594)	17.0 (0.669)	3150
15	015	14.0 (0.551)	16.1 (0.634)	18.0 (0.709)	3000
16	016	15.0 (0.591)	17.1 (0.673)	19.0 (0.748)	2850
17	017	16.0 (0.630)	18.1 (0.713)	20.0 (0.787)	2700
18	018	17.0 (0.669)	19.1 (0.752)	21.0 (0.827)	2550
19	019	18.0 (0.709)	20.1 (0.791)	22.0 (0.866)	2400
20	020	19.0 (0.748)	21.1 (0.831)	23.0 (0.906)	2250
21	021	20.0 (0.787)	22.1 (0.870)	24.0 (0.945)	2250
22	022	21.0 (0.827)	23.1 (0.909)	25.0 (0.984)	2100
23	023	22.0 (0.866)	24.1 (0.949)	26.0 (1.024)	1950
24	024	23.0 (0.906)	25.1 (0.988)	27.0 (1.063)	1950
25	025	24.0 (0.945)	26.1 (1.028)	28.0 (1.102)	1800
26	026	25.0 (0.984)	27.1 (1.067)	29.0 (1.142)	1800
27	027	26.0 (1.024)	28.1 (1.106)	30.0 (1.181)	1800
28	028	27.0 (1.063)	29.1 (1.146)	31.0 (1.220)	1650
29	↓ 029 ↓	28.0 (1.102)	30.1 (1.185)	32.0 (1.260)	1650
30	00 6232 030 XXX 800	29.0 (1.142)	31.1 (1.224)	33.0 (1.299)	1650

HOW TO ORDER

00

6232

0XX

XXX

800

Number of Contacts

Variation Code

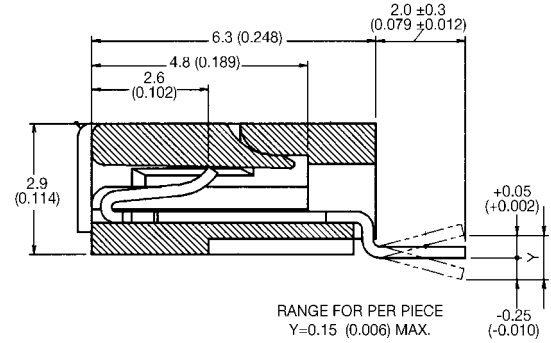
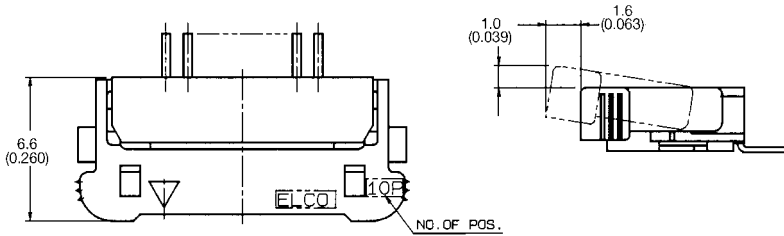
006 = With Kinked Leg
007 = Without Kinked Leg

1.00mm Pitch

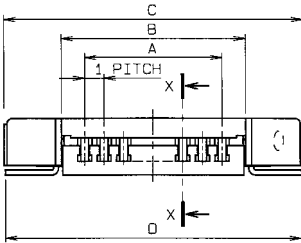
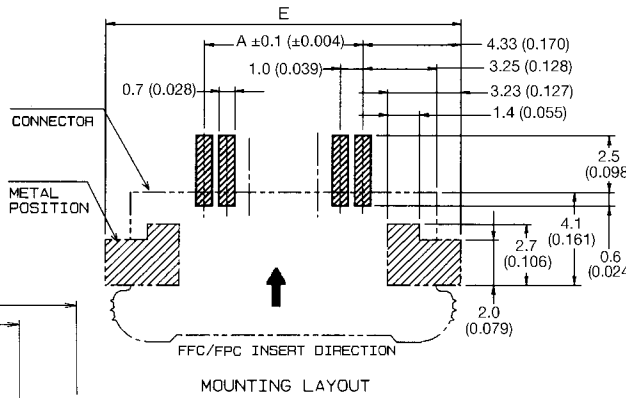
Series 6200 - ZIF Right Angle SMT (Bottom Contact Type)



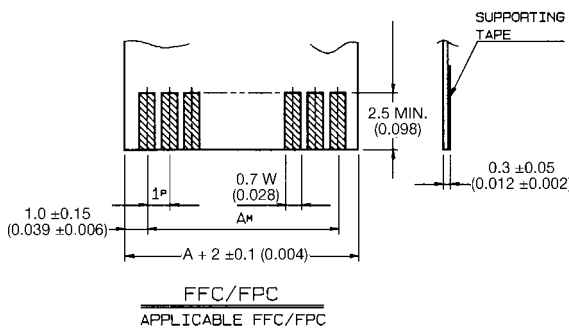
WITH SOLDER TAB, NO BOSS



RANGE FOR PER PIECE
Y=0.15 (0.006) MAX.



Kind	Tolerance		
	P	W	M
FFC	±0.05	±0.03	±0.1
FPC	±0.02	+0.07 -0.05	±0.05



DETAIL X-X

Assembly Number	No. of Contacts	A	B	C	E	F	Qty. Per Box
00 6200 057 032 800	05	4.0 (0.157)	6.4 (0.252)	12.25 (0.482)	12.65 (0.498)	4.0 (0.157)	3190
↑ 067 ↑	06	5.0 (0.197)	7.4 (0.291)	13.25 (0.522)	13.65 (0.537)	5.0 (0.197)	2970
077	07	6.0 (0.236)	8.4 (0.331)	14.25 (0.561)	14.65 (0.577)	6.0 (0.236)	2750
087	08	7.0 (0.276)	9.4 (0.370)	15.25 (0.600)	15.65 (0.616)	7.0 (0.276)	2530
097	09	8.0 (0.315)	10.4 (0.409)	16.25 (0.640)	16.65 (0.656)	8.0 (0.315)	2420
107	10	9.0 (0.354)	11.4 (0.449)	17.25 (0.679)	17.65 (0.695)	9.0 (0.354)	2310
117	11	10.0 (0.394)	12.4 (0.488)	18.25 (0.719)	18.65 (0.734)	10.0 (0.394)	2090
127	12	11.0 (0.433)	13.4 (0.528)	19.25 (0.758)	19.65 (0.774)	11.0 (0.433)	1980
137	13	12.0 (0.472)	14.4 (0.567)	20.25 (0.797)	20.65 (0.813)	12.0 (0.472)	1870
147	14	13.0 (0.512)	15.4 (0.606)	21.25 (0.837)	21.65 (0.852)	13.0 (0.512)	1760
157	15	14.0 (0.551)	16.4 (0.646)	22.25 (0.876)	22.65 (0.892)	14.0 (0.551)	1760
167	16	15.0 (0.591)	17.4 (0.685)	23.25 (0.915)	23.65 (0.931)	15.0 (0.591)	1650
177	17	16.0 (0.630)	18.4 (0.724)	24.25 (0.955)	24.65 (0.970)	16.0 (0.630)	1540
187	18	17.0 (0.669)	19.4 (0.764)	25.25 (0.994)	25.65 (1.010)	17.0 (0.669)	1540
↓ 197 ↓	19	18.0 (0.709)	20.4 (0.803)	26.25 (1.033)	26.65 (1.049)	18.0 (0.709)	1430
00 6200 207 032 800	20	19.0 (0.748)	21.4 (0.843)	27.25 (1.073)	27.65 (1.089)	19.0 (0.748)	1430
↑ 217 ↑	21	20.0 (0.787)	22.4 (0.882)	28.25 (1.112)	28.65 (1.128)	20.0 (0.787)	1320
227	22	21.0 (0.827)	23.4 (0.921)	29.25 (1.152)	29.65 (1.167)	21.0 (0.827)	1320
237	23	22.0 (0.866)	24.4 (0.961)	30.25 (1.191)	30.65 (1.207)	22.0 (0.866)	1210
247	24	23.0 (0.906)	25.4 (1.000)	31.25 (1.230)	31.65 (1.246)	23.0 (0.906)	1210
257	25	24.0 (0.945)	26.4 (1.039)	32.25 (1.270)	32.65 (1.285)	24.0 (0.945)	1210
267	26	25.0 (0.984)	27.4 (1.079)	33.25 (1.309)	33.65 (1.325)	25.0 (0.984)	1100
277	27	26.0 (1.024)	28.4 (1.118)	34.25 (1.348)	34.65 (1.364)	26.0 (1.024)	1100
287	28	27.0 (1.063)	29.4 (1.157)	35.25 (1.388)	35.65 (1.404)	27.0 (1.063)	1100
↓ 297 ↓	29	28.0 (1.102)	30.4 (1.197)	36.25 (1.427)	36.65 (1.443)	28.0 (1.102)	1100
00 6200 307 032 800	30	29.0 (1.142)	31.4 (1.236)	37.25 (1.467)	37.65 (1.482)	29.0 (1.142)	990

HOW TO ORDER

00

6200

XX7

032

800

Number of Contacts

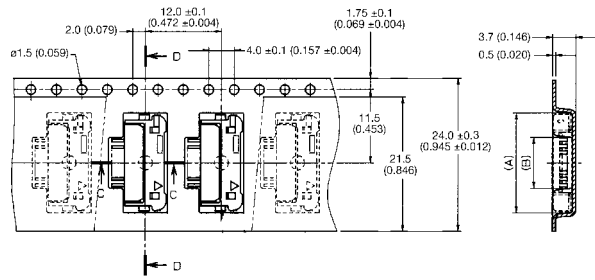
Variation Code

032 = With Solder Tab

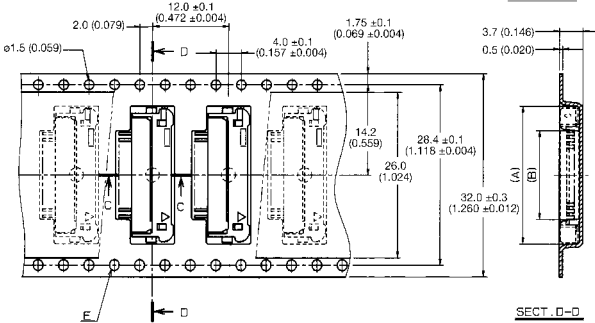
Please see page 54 for correct ordering code for parts on Tape and Reel of 032 Variation Code.

1.00mm Pitch

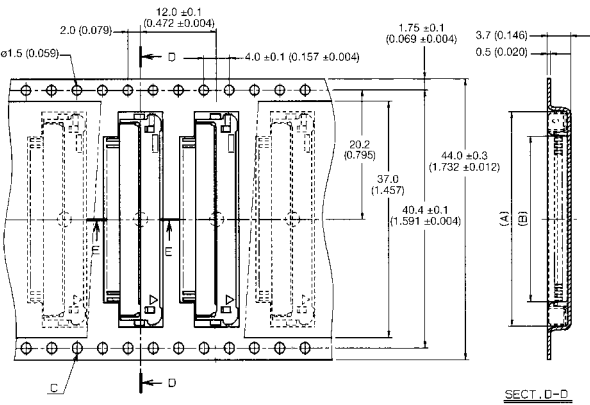
Series 6200 - Tape and Reel Package



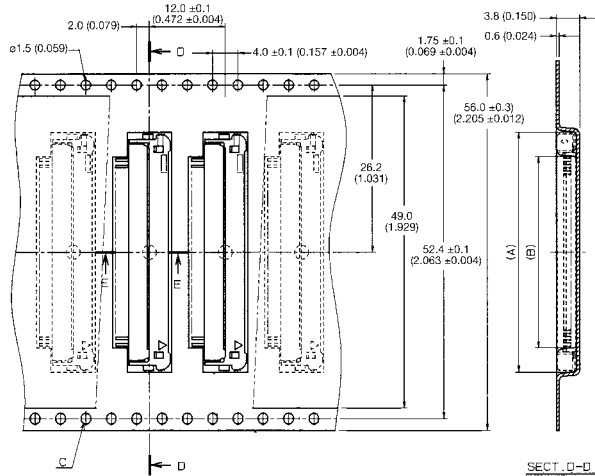
SECT. D-D



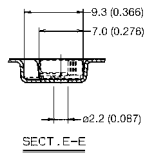
SECT. D-D



SECT. D-D



SECT. D-D



SECT. E-E

Assembly Number	No. of Contacts	A	B
00 6200 505 130 000	05	12.7 (0.500)	5.0 (0.197)
↑ 506 ↑	06	13.7 (0.539)	6.0 (0.236)
507	07	14.7 (0.579)	7.0 (0.276)
508	08	15.7 (0.618)	8.0 (0.315)
509	09	16.7 (0.658)	9.0 (0.354)
↓ 510 ↓	10	17.7 (0.697)	10.0 (0.394)
04 6200 511 130 000	11	18.7 (0.736)	11.0 (0.433)

Assembly Number	No. of Contacts	A	B
00 6200 512 230 000	12	19.7 (0.776)	12.0 (0.472)
↑ 513 ↑	13	20.7 (0.815)	13.0 (0.512)
514	14	21.7 (0.854)	14.0 (0.551)
↓ 515 ↓	15	22.7 (0.894)	15.0 (0.591)
00 6200 516 230 000	16	23.7 (0.933)	16.0 (0.630)

Assembly Number	No. of Contacts	A	B
00 6200 517 330 000	17	24.7 (0.972)	17.0 (0.669)
↑ 518 ↑	18	25.7 (1.012)	18.0 (0.709)
519	19	26.7 (1.051)	19.0 (0.748)
520	20	27.7 (1.091)	20.0 (0.787)
521	21	28.7 (1.130)	21.0 (0.827)
522	22	29.7 (1.169)	22.0 (0.866)
523	23	30.7 (1.209)	23.0 (0.906)
524	24	31.7 (1.248)	24.0 (0.945)
525	25	32.7 (1.287)	25.0 (0.984)
↓ 526 ↓	26	33.7 (1.327)	26.0 (1.024)
00 6200 527 330 000	27	34.7 (1.366)	27.0 (1.063)

Assembly Number	No. of Contacts	A	B
00 6200 528 430 000	28	35.7 (1.406)	28.0 (1.102)
00 6200 529 430 000	29	36.7 (1.445)	29.0 (1.142)
00 6200 530 430 000	30	37.7 (1.484)	30.0 (1.181)

HOW TO ORDER

00

6200

5XX

X30

000

Number of Contacts

Variation Code

- 1 = Emboss 24.0mm
- 2 = Emboss 32.0mm
- 3 = Emboss 44.0mm
- 4 = Emboss 56.0mm

NOTE - This is ordering code for 00 6200 XX7 032 800 on page 53.

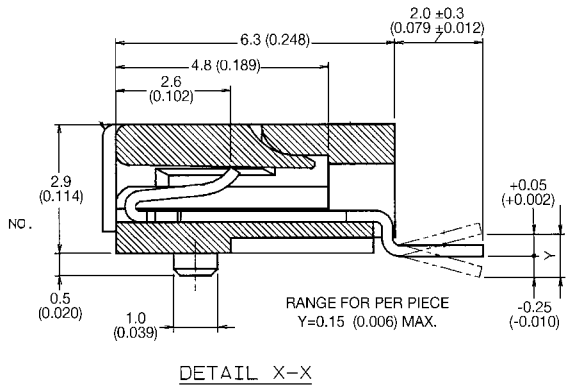
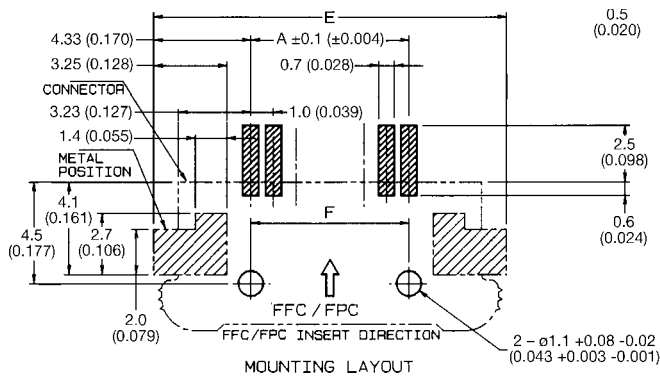
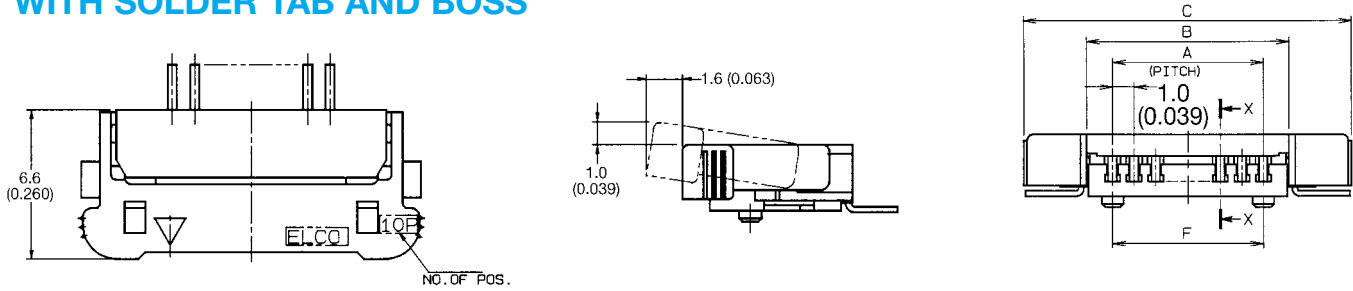
1000 Connectors per Tape and Reel.

1.00mm Pitch

Series 6200 - ZIF Right Angle SMT (Bottom Contact Type)



WITH SOLDER TAB AND BOSS



Assembly Number	No. of Contacts	A	B	C	E	F	Qty. Per Box
00 6200 057 052 800	05	4.0 (0.157)	6.4 (0.252)	12.25 (0.482)	12.65 (0.498)	4.0 (0.157)	3190
↑ 067 ↑	06	5.0 (0.197)	7.4 (0.291)	13.25 (0.522)	13.65 (0.537)	5.0 (0.197)	2970
077	07	6.0 (0.236)	8.4 (0.331)	14.25 (0.561)	14.65 (0.577)	6.0 (0.236)	2750
087	08	7.0 (0.276)	9.4 (0.370)	15.25 (0.600)	15.65 (0.616)	7.0 (0.276)	2530
097	09	8.0 (0.315)	10.4 (0.409)	16.25 (0.639)	16.65 (0.655)	8.0 (0.315)	2420
107	10	9.0 (0.354)	11.4 (0.449)	17.25 (0.678)	17.65 (0.694)	9.0 (0.354)	2310
117	11	10.0 (0.394)	12.4 (0.488)	18.25 (0.717)	18.65 (0.733)	10.0 (0.394)	2090
127	12	11.0 (0.433)	13.4 (0.528)	19.25 (0.756)	19.65 (0.772)	11.0 (0.433)	1980
137	13	12.0 (0.472)	14.4 (0.567)	20.25 (0.795)	20.65 (0.811)	12.0 (0.472)	1870
147	14	13.0 (0.512)	15.4 (0.606)	21.25 (0.834)	21.65 (0.850)	13.0 (0.512)	1760
157	15	14.0 (0.551)	16.4 (0.646)	22.25 (0.873)	22.65 (0.889)	14.0 (0.551)	1760
167	16	15.0 (0.591)	17.4 (0.685)	23.25 (0.912)	23.65 (0.928)	15.0 (0.591)	1650
177	17	16.0 (0.630)	18.4 (0.724)	24.25 (0.951)	24.65 (0.967)	16.0 (0.630)	1540
187	18	17.0 (0.669)	19.4 (0.764)	25.25 (0.990)	25.65 (1.006)	17.0 (0.669)	1540
↓ 197 ↓	19	18.0 (0.709)	20.4 (0.803)	26.25 (1.029)	26.65 (1.045)	18.0 (0.709)	1430
00 6200 207 052 800	20	19.0 (0.748)	21.4 (0.843)	27.25 (1.068)	27.65 (1.084)	19.0 (0.748)	1430
↑ 217 ↑	21	20.0 (0.787)	22.4 (0.882)	28.25 (1.107)	28.65 (1.123)	20.0 (0.787)	1320
227	22	21.0 (0.827)	23.4 (0.921)	29.25 (1.146)	29.65 (1.162)	21.0 (0.827)	1320
237	23	22.0 (0.866)	24.4 (0.961)	30.25 (1.185)	30.65 (1.201)	22.0 (0.866)	1210
247	24	23.0 (0.906)	25.4 (1.000)	31.25 (1.224)	31.65 (1.240)	23.0 (0.906)	1210
257	25	24.0 (0.945)	26.4 (1.039)	32.25 (1.263)	32.65 (1.279)	24.0 (0.945)	1210
267	26	25.0 (0.984)	27.4 (1.079)	33.25 (1.302)	33.65 (1.318)	25.0 (0.984)	1100
277	27	26.0 (1.024)	28.4 (1.118)	34.25 (1.341)	34.65 (1.357)	26.0 (1.024)	1100
287	28	27.0 (1.063)	29.4 (1.157)	35.25 (1.380)	35.65 (1.406)	27.0 (1.063)	1100
↓ 297 ↓	29	28.0 (1.102)	30.4 (1.197)	36.25 (1.419)	36.65 (1.435)	28.0 (1.102)	1100
00 6200 307 052 800	30	29.0 (1.142)	31.4 (1.236)	37.25 (1.458)	37.65 (1.474)	29.0 (1.142)	990

HOW TO ORDER

00

6200

XX7

052

800

Number of Contacts

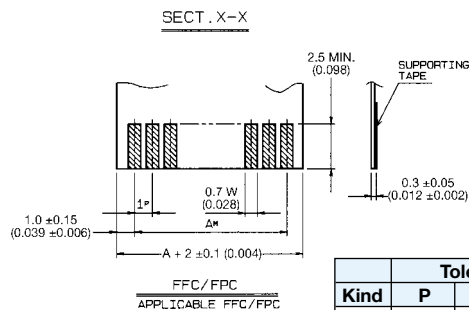
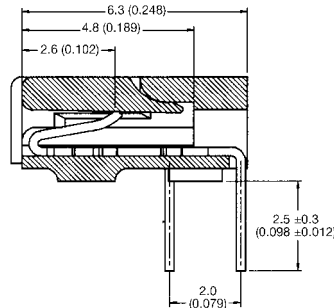
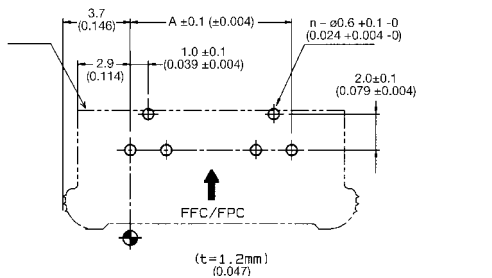
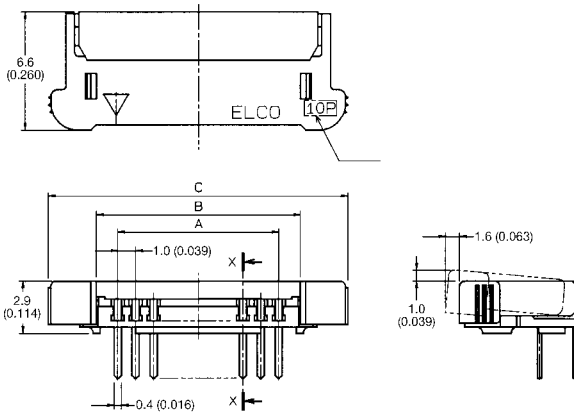
Variation Code
052 = With Solder Tab/Boss

1.00mm Pitch

Series 6200 - ZIF Right Angle Through Hole (Bottom Contact Type)



DIP THROUGH HOLE



Kind	Tolerance		
	P	W	M
FFC	±0.05	±0.03	±0.1
FPC	±0.02	+0.07 -0.05	±0.05

Specifications

- Number of Contacts – 5-30
- Tray Packaged / Box, Tape & Reel
- Voltage – 50V
- Current Rating – 1.0 amp max.
- Dielectric Withstanding Voltage – 500V RMS min.
- Operating Temperature – (-20°C - +85°C)
- Contact Material – phosphor bronze (tin-lead plated)
- Insulator & Slider Material – PPS, brown color (UL 94 V-0)
- FFC/FPC Thickness – 0.3 ± 0.05mm (0.012 ± 0.002")
- Profile Height – 2.90mm (0.114")

No. of Contacts	Dimension				Qty. Per Box
	A	B	C	D	
05	4.0 (0.157)	6.4 (0.252)	11.45 (0.451)	4.0 (0.157)	3100
06	5.0 (0.197)	7.4 (0.291)	12.45 (0.490)	5.0 (0.197)	2800
07	6.0 (0.236)	8.4 (0.331)	13.45 (0.530)	6.0 (0.236)	2600
08	7.0 (0.276)	9.4 (0.370)	14.45 (0.569)	7.0 (0.276)	2500
09	8.0 (0.315)	10.4 (0.409)	15.45 (0.608)	8.0 (0.315)	2300
10	9.0 (0.354)	11.4 (0.449)	16.45 (0.648)	9.0 (0.354)	2200
11	10.0 (0.394)	12.4 (0.488)	17.45 (0.687)	10.0 (0.394)	2000
12	11.0 (0.433)	13.4 (0.528)	18.45 (0.726)	11.0 (0.433)	1900
13	12.0 (0.472)	14.4 (0.567)	19.45 (0.766)	12.0 (0.472)	1800
14	13.0 (0.512)	15.4 (0.606)	20.45 (0.805)	13.0 (0.512)	1700
15	14.0 (0.551)	16.4 (0.646)	21.45 (0.844)	14.0 (0.551)	1600
16	15.0 (0.591)	17.4 (0.685)	22.45 (0.884)	15.0 (0.591)	1600
17	16.0 (0.630)	18.4 (0.724)	23.45 (0.923)	16.0 (0.630)	1500
18	17.0 (0.669)	19.4 (0.764)	24.45 (0.963)	17.0 (0.669)	1400
19	18.0 (0.709)	20.4 (0.803)	25.45 (1.002)	18.0 (0.709)	1400
20	19.0 (0.748)	21.4 (0.843)	26.45 (1.041)	19.0 (0.748)	1300
21	20.0 (0.787)	22.4 (0.882)	27.45 (1.081)	20.0 (0.787)	1300
22	21.0 (0.827)	23.4 (0.921)	28.45 (1.120)	21.0 (0.827)	1200
23	22.0 (0.866)	24.4 (0.961)	29.45 (1.159)	22.0 (0.866)	1200
24	23.0 (0.906)	25.4 (1.000)	30.45 (1.199)	23.0 (0.906)	1100
25	24.0 (0.945)	26.4 (1.039)	31.45 (1.238)	24.0 (0.945)	1100
26	25.0 (0.984)	27.4 (1.079)	32.45 (1.278)	25.0 (0.984)	1100
27	26.0 (1.024)	28.4 (1.118)	33.45 (1.317)	26.0 (1.024)	1000
28	27.0 (1.063)	29.4 (1.157)	34.45 (1.356)	27.0 (1.063)	1000
29	28.0 (1.102)	30.4 (1.197)	35.45 (1.396)	28.0 (1.102)	1000
30	29.0 (1.142)	31.4 (1.236)	36.45 (1.435)	29.0 (1.142)	900

HOW TO ORDER

00

6200

XX7

012

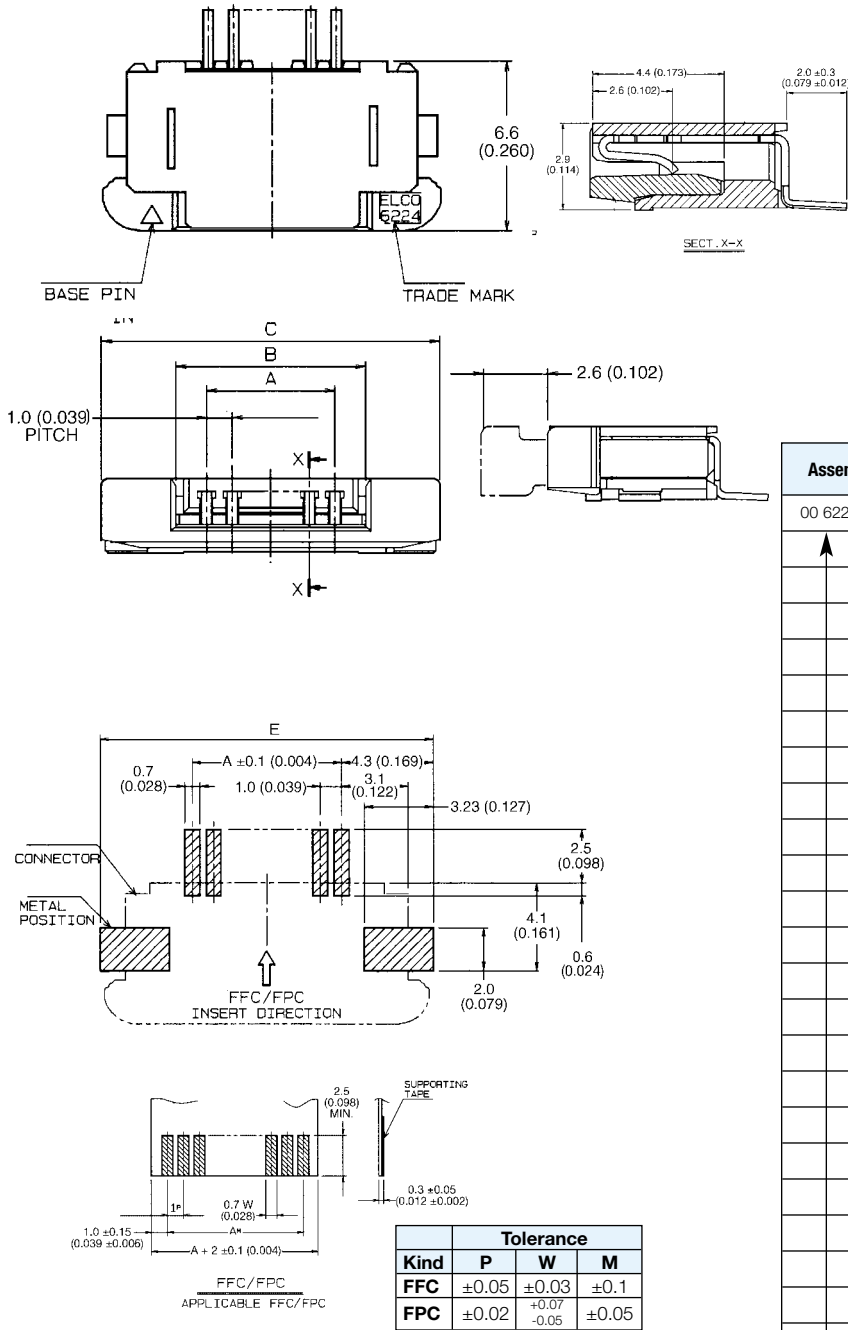
800

Number of Contacts



1.00mm Pitch

Series 6224 - ZIF Right Angle SMT (Top Contact Type)



Specifications

- Number of Contacts – 5-30
- Tray Packaged/Box, Tape & Reel
- Voltage – 50V
- Current Rating – 1.0 amp max.
- Dielectric Withstanding Voltage – 500V RMS min.
- Operating Temperature – (-20°C - +85°C)
- Contact & Metal Tab Material – phosphor bronze (tin-lead plated)
- Insulator Material – PPS, brown color (UL 94 V-O)
- Slider Material – PPS, black color (UL 94 V-O)
- FFC/FPC Thickness – 0.3 ±0.05mm (0.012 ±0.002")
- Profile Height – 2.90mm (0.114")

Assembly Number	No. of Contacts	A	B	C	D	E	Qty. Per Box
00 6224 005 001 800	05	4.0 (0.157)	6.2 (0.244)	12.2 (0.480)	11.9 (0.469)	12.6 (0.496)	3393
↑ 006 ↑	06	5.0 (0.197)	7.2 (0.283)	13.2 (0.520)	12.9 (0.508)	13.6 (0.535)	3159
007	07	6.0 (0.236)	8.2 (0.323)	14.2 (0.559)	13.9 (0.547)	14.6 (0.575)	2925
008	08	7.0 (0.276)	9.2 (0.362)	15.2 (0.598)	14.9 (0.587)	15.6 (0.614)	2691
009	09	8.0 (0.315)	10.2 (0.402)	16.2 (0.638)	15.9 (0.626)	16.6 (0.654)	2574
010	10	9.0 (0.354)	11.2 (0.441)	17.2 (0.677)	16.9 (0.665)	17.6 (0.693)	2457
011	11	10.0 (0.394)	12.2 (0.480)	18.2 (0.717)	17.9 (0.705)	18.6 (0.732)	2223
012	12	11.0 (0.433)	13.2 (0.520)	19.2 (0.756)	18.9 (0.744)	19.6 (0.772)	2106
013	13	12.0 (0.472)	14.2 (0.559)	20.2 (0.795)	19.9 (0.783)	20.6 (0.811)	1989
014	14	13.0 (0.512)	15.2 (0.598)	21.2 (0.835)	20.9 (0.823)	21.6 (0.850)	1989
015	15	14.0 (0.551)	16.2 (0.638)	22.2 (0.874)	21.9 (0.862)	22.6 (0.890)	1872
016	16	15.0 (0.591)	17.2 (0.677)	23.2 (0.913)	22.9 (0.902)	23.6 (0.929)	1755
017	17	16.0 (0.630)	18.2 (0.717)	24.2 (0.953)	23.9 (0.941)	24.6 (0.969)	1755
018	18	17.0 (0.669)	19.2 (0.756)	25.2 (0.992)	24.9 (0.980)	25.6 (1.008)	1638
019	19	18.0 (0.709)	20.2 (0.795)	26.2 (1.031)	25.9 (1.020)	26.6 (1.047)	1521
020	20	19.0 (0.748)	21.2 (0.835)	27.2 (1.071)	26.9 (1.059)	27.6 (1.087)	1521
021	21	20.0 (0.787)	22.2 (0.874)	28.2 (1.110)	27.9 (1.098)	28.6 (1.126)	1404
022	22	21.0 (0.827)	23.2 (0.913)	29.2 (1.150)	28.9 (1.138)	29.6 (1.165)	1404
023	23	22.0 (0.866)	24.2 (0.953)	30.2 (1.189)	29.9 (1.177)	30.6 (1.205)	1404
024	24	23.0 (0.906)	25.2 (0.992)	31.2 (1.228)	30.9 (1.217)	31.6 (1.244)	1287
025	25	24.0 (0.945)	26.2 (1.031)	32.2 (1.268)	31.9 (1.256)	32.6 (1.283)	1287
026	26	25.0 (0.984)	27.2 (1.071)	33.2 (1.307)	32.9 (1.295)	33.6 (1.323)	1170
027	27	26.0 (1.024)	28.2 (1.110)	34.2 (1.346)	33.9 (1.335)	34.6 (1.362)	1170
028	28	27.0 (1.063)	29.2 (1.150)	35.2 (1.386)	34.9 (1.374)	35.6 (1.402)	1170
↓ 029 ↓	29	28.0 (1.102)	30.2 (1.189)	36.2 (1.425)	35.9 (1.413)	36.6 (1.441)	1170
00 6224 030 001 800	30	29.0 (1.142)	31.2 (1.228)	37.2 (1.465)	36.9 (1.453)	37.6 (1.480)	1053

HOW TO ORDER

00

6224

0XX

001

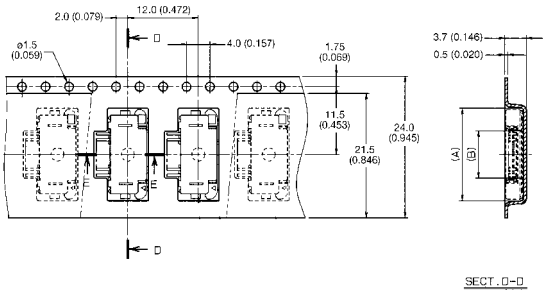
800

Number of Contacts

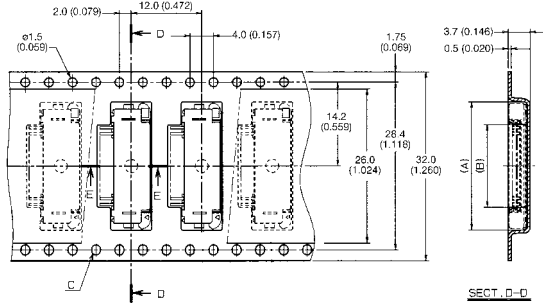
See page 58 for ordering in Tape and Reel.

1.00mm Pitch

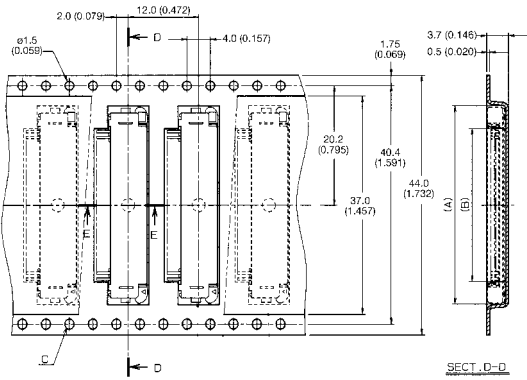
Series 6224 - Tape and Reel Package



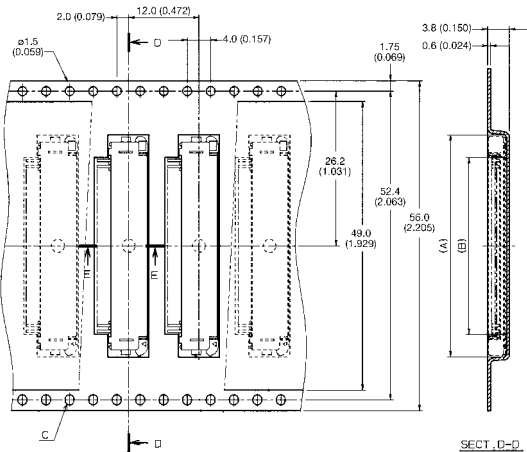
SECT. D-D



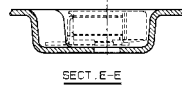
SECT. D-D



SECT. D-D



SECT. D-D



SECT. E-E

Assembly Number	No. of Contacts	A	B
08 6224 005 001 800	05	12.7 (0.500)	5.0 (0.197)
↑ 006 ↑	06	13.7 (0.539)	6.0 (0.236)
007	07	14.7 (0.579)	7.0 (0.276)
008	08	15.7 (0.618)	8.0 (0.315)
009	09	16.7 (0.658)	9.0 (0.354)
↓ 010 ↓	10	17.7 (0.697)	10.0 (0.394)
08 6224 011 001 800	11	18.7 (0.736)	11.0 (0.433)

Assembly Number	No. of Contacts	A	B
08 6224 012 001 800	12	19.7 (0.776)	12.0 (0.472)
↑ 013 ↑	13	20.7 (0.815)	13.0 (0.512)
014	14	21.7 (0.854)	14.0 (0.551)
↓ 015 ↓	15	22.7 (0.894)	15.0 (0.591)
08 6224 016 001 800	16	23.7 (0.933)	16.0 (0.630)

Assembly Number	No. of Contacts	A	B
08 6224 017 001 800	17	24.7 (0.972)	17.0 (0.669)
↑ 018 ↑	18	25.7 (1.012)	18.0 (0.709)
019	19	26.7 (1.051)	19.0 (0.748)
020	20	27.7 (1.091)	20.0 (0.787)
021	21	28.7 (1.130)	21.0 (0.827)
022	22	29.7 (1.169)	22.0 (0.866)
023	23	30.7 (1.209)	23.0 (0.906)
024	24	31.7 (1.248)	24.0 (0.945)
025	25	32.7 (1.287)	25.0 (0.984)
↓ 026 ↓	26	33.7 (1.327)	26.0 (1.024)
08 6224 027 001 800	27	34.7 (1.366)	27.0 (1.063)

Assembly Number	No. of Contacts	A	B
08 6224 028 001 800	28	35.7 (1.406)	28.0 (1.102)
08 6224 029 001 800	29	36.7 (1.445)	29.0 (1.142)
08 6224 030 001 800	30	37.7 (1.484)	30.0 (1.181)

HOW TO ORDER

08

6224

0XX

001

800

Number of Contacts

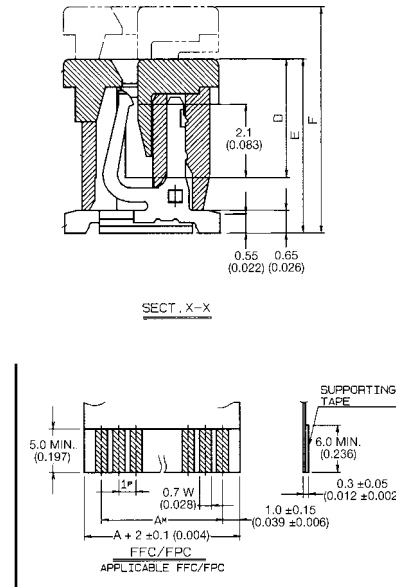
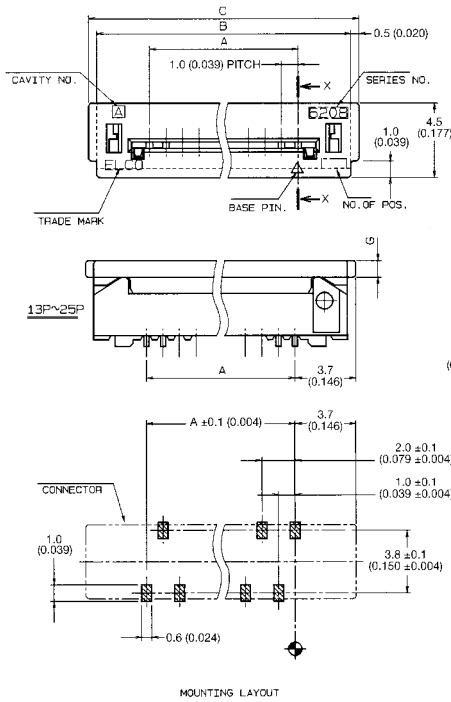
1000 Connectors per Tape and Reel.

1.00mm Pitch

Series 6208 - ZIF Vertical SMT

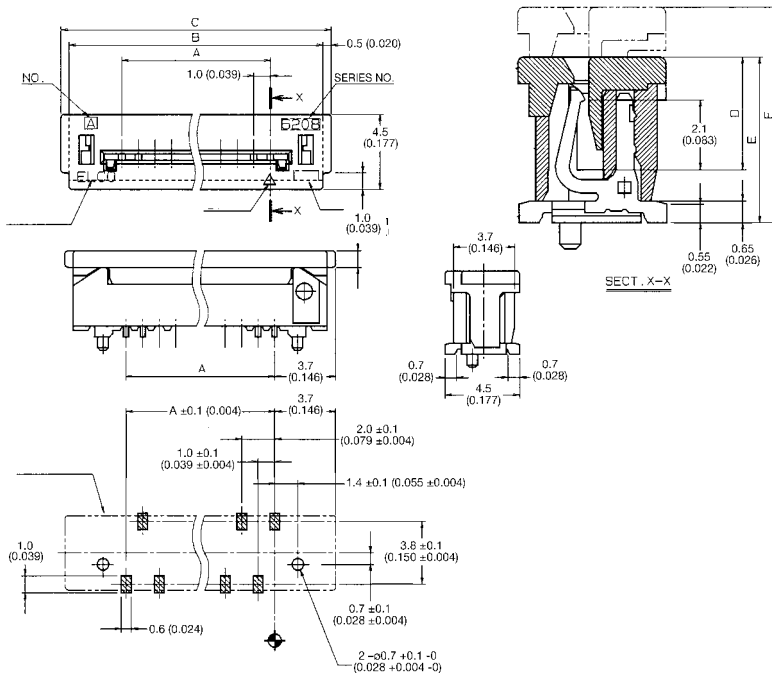


WITHOUT BOSS



Kind	Tolerance		
	P	W	M
FFC	±0.05	±0.03	±0.1
FPC	±0.02	+0.07 -0.05	±0.05

WITH BOSS



No. of Contacts	Assembly Number	A	B	C	D	E	F	G	Qty. Per Box
05	00 6208 XXX 005 000	4.0 (0.157)	10.4 (0.409)	11.4 (0.449)	3.4 (0.134)	5.0 (0.197)	6.5 (0.256)	0.8 (0.031)	3100
06	006	5.0 (0.197)	11.4 (0.449)	12.4 (0.488)	↑	↑	↑	↑	2900
07	007	6.0 (0.236)	12.4 (0.488)	13.4 (0.528)	↑	↑	↑	↑	2700
08	008	7.0 (0.276)	13.4 (0.528)	14.4 (0.567)	↑	↑	↑	↑	2500
09	009	8.0 (0.315)	14.4 (0.567)	15.4 (0.606)	↑	↑	↑	↑	2300
10	010	9.0 (0.354)	15.4 (0.606)	16.4 (0.646)	↑	↑	↑	↑	2200
11	011	10.0 (0.394)	16.4 (0.646)	17.4 (0.685)	↑	↑	↑	↑	2000
12	012	11.0 (0.433)	17.4 (0.685)	18.4 (0.724)	↑	↑	↑	↑	1900
13	013	12.0 (0.472)	18.4 (0.724)	19.4 (0.764)	↑	↑	↑	↑	1800
14	014	13.0 (0.512)	19.4 (0.764)	20.4 (0.803)	↑	↑	↑	↑	1700
15	015	14.0 (0.551)	20.4 (0.803)	21.4 (0.843)	↑	↑	↑	↑	1600
16	016	15.0 (0.591)	21.4 (0.843)	22.4 (0.882)	↑	↑	↑	↑	1600
17	017	16.0 (0.630)	22.4 (0.882)	23.4 (0.921)	↑	↑	↑	↑	1500
18	018	17.0 (0.669)	23.4 (0.921)	24.4 (0.961)	↑	↑	↑	↑	1400
19	019	18.0 (0.709)	24.4 (0.961)	25.4 (1.000)	↓	↓	↓	↓	1400
20	020	19.0 (0.748)	25.4 (1.000)	26.4 (1.039)	3.4 (0.134)	5.0 (0.197)	6.5 (0.256)	0.8 (0.031)	1300
21	021	20.0 (0.787)	26.4 (1.039)	27.4 (1.079)	3.6 (0.142)	5.2 (0.205)	6.7 (0.264)	1.0 (0.039)	1300
22	022	21.0 (0.827)	27.4 (1.079)	28.4 (1.118)	↑	↑	↑	↑	1200
23	023	22.0 (0.866)	28.4 (1.118)	29.4 (1.157)	↑	↑	↑	↑	1200
24	024	23.0 (0.906)	29.4 (1.157)	30.4 (1.197)	↓	↓	↓	↓	1100
25	025	24.0 (0.945)	30.4 (1.197)	31.4 (1.236)	3.6 (0.142)	5.2 (0.205)	6.7 (0.264)	1.0 (0.039)	1100
26	00 6208 500 026 600	25.0 (0.984)	31.4 (1.236)	32.4 (1.276)	3.9 (0.154)	5.5 (0.217)	7.0 (0.276)	1.3 (0.051)	1100
28	00 6208 500 028 600	27.0 (1.063)	33.4 (1.315)	34.4 (1.354)	3.9 (0.154)	5.5 (0.217)	7.0 (0.276)	1.3 (0.051)	1000
30	00 6208 500 030 600	29.0 (1.142)	35.4 (1.394)	36.4 (1.433)	3.9 (0.154)	5.5 (0.217)	7.0 (0.276)	1.3 (0.051)	900

HOW TO ORDER

00

6208

XXX

OXX

000

Variation Code

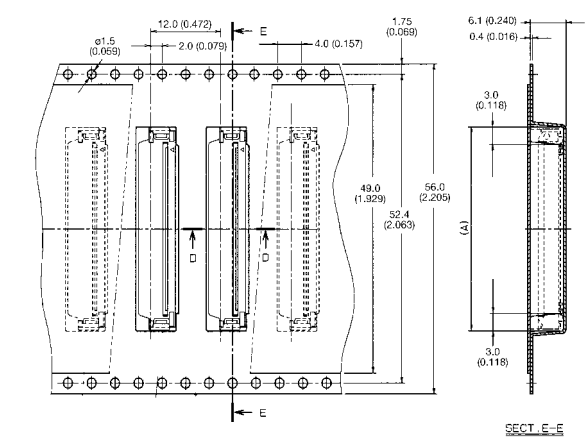
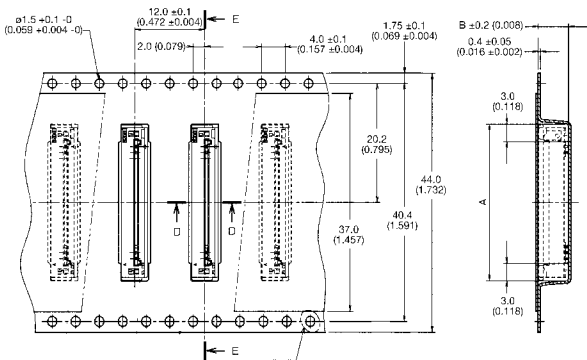
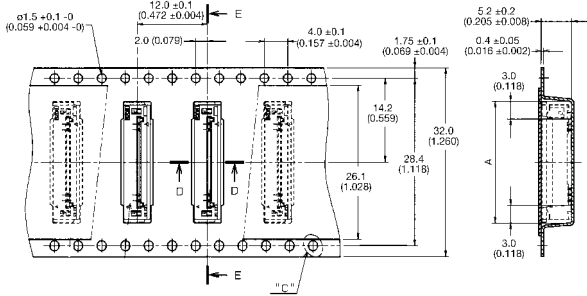
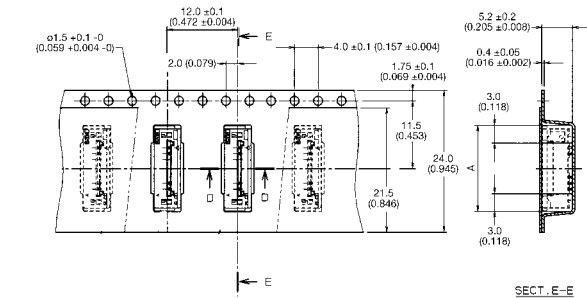
500 = SMT Without Boss
520 = SMT With Boss

Number of Contacts

NOTE - Elco standard for the 500 Variation Code is Tape and Reel, see page 60 to order.
- 26, 28 and 30 pin are only available without boss.
- and with wide slider, see page 60 to order in Tape and Reel.

1.00mm Pitch

Series 6208 - Tape and Reel Package



Assembly Number	No. of Contacts	A
00 6208 505 110 000	05	11.6 (0.457)
↑ 506 ↑	06	12.6 (0.496)
507	07	13.6 (0.535)
508	08	14.6 (0.575)
↓ 509 ↓	09	15.6 (0.614)
00 6208 510 110 000	10	16.6 (0.654)

Assembly Number	No. of Contacts	A
00 6208 511 210 000	11	17.6 (0.693)
↑ 512 ↑	12	18.6 (0.732)
513	13	19.6 (0.772)
514	14	20.6 (0.811)
↓ 515 ↓	15	21.6 (0.850)
00 6208 516 210 000	16	22.6 (0.890)

Assembly Number	No. of Contacts	A
00 6208 517 310 000	17	23.6 (0.929)
↑ 518 ↑	18	24.6 (0.969)
519	19	25.6 (1.008)
520	20	26.6 (1.047)
521	21	27.6 (1.087)
522	22	28.6 (1.126)
523	23	29.6 (1.165)
524	24	30.6 (1.205)
↓ 525 ↓	25	31.6 (1.244)
00 6208 526 310 000	26	32.6 (1.283)

Assembly Number	No. of Contacts	A
00 6208 528 410 006	28	34.7 (1.366)
00 6208 530 410 006	30	36.7 (1.445)

HOW TO ORDER

00

6208

5XX

X10

000

Number of Contacts

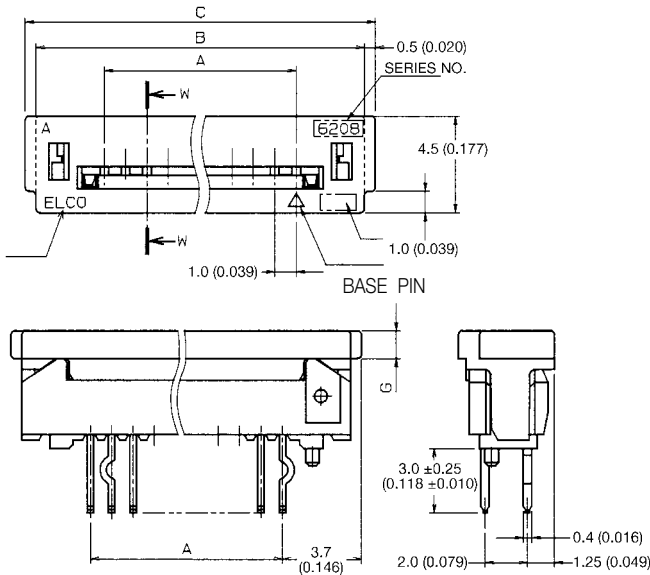
Variation Code

- 1 = Emboss 24.0mm
- 2 = Emboss 32.0mm
- 3 = Emboss 44.0mm
- 4 = Emboss 56.0mm

1000 Connectors per Tape and Reel.

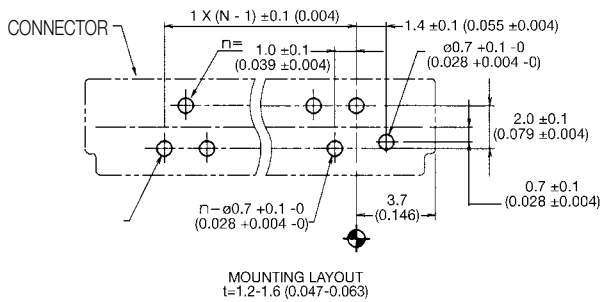
1.00mm Pitch

Series 6208 - ZIF Vertical Through Hole

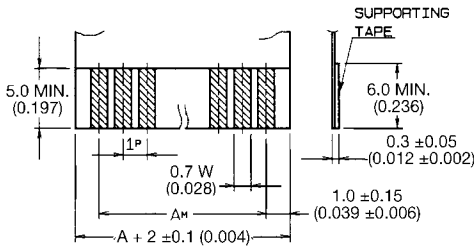


Specifications

- Number of Contacts – 5-30
- Tray Packaged /Box, Tape & Reel
- Voltage – 50V
- Current Rating – 1.0 amp max.
- Dielectric Withstanding Voltage – 500V RMS min.
- Operating Temperature – (-30°C - +85°C)
- Contact Material – phosphor bronze (tin-lead plated)
- Insulator Material – glass-filled nylon, PPS
- Slider Material – PPS (UL 94 V-O)
- FFC/FPC Thickness – 0.3 ± 0.05mm (0.012 ± 0.002")
- PCB Thickness – 1.2-1.6mm (0.047-0.063")
- Profile Height – See "E" dimension



Tolerance			
Kind	P	W	M
FFC	±0.05	±0.03	±0.1
FPC	±0.02	+0.07 -0.05	±0.05



No. of Contacts	Assembly Number	A	B	C	D	E	F	G	Qty. Per Box
05	00 6208 XX0 105 001	4.0 (0.157)	10.4 (0.409)	11.4 (0.449)	3.4 (0.134)	5.0 (0.197)	6.5 (0.256)	0.8 (0.031)	3100
06	106	5.0 (0.197)	11.4 (0.449)	12.4 (0.488)	↑	↑	↑	↑	2900
07	107	6.0 (0.236)	12.4 (0.488)	13.4 (0.528)	↑	↑	↑	↑	2700
08	108	7.0 (0.276)	13.4 (0.528)	14.4 (0.567)	↑	↑	↑	↑	2500
09	109	8.0 (0.315)	14.4 (0.567)	15.4 (0.606)	↑	↑	↑	↑	2300
10	110	9.0 (0.354)	15.4 (0.606)	16.4 (0.646)	↑	↑	↑	↑	2200
11	111	10.0 (0.394)	16.4 (0.646)	17.4 (0.685)	↑	↑	↑	↑	2000
12	112	11.0 (0.433)	17.4 (0.685)	18.4 (0.724)	↑	↑	↑	↑	1900
13	113	12.0 (0.472)	18.4 (0.724)	19.4 (0.764)	↑	↑	↑	↑	1800
14	114	13.0 (0.512)	19.4 (0.764)	20.4 (0.803)	↑	↑	↑	↑	1700
15	115	14.0 (0.551)	20.4 (0.803)	21.4 (0.843)	↑	↑	↑	↑	1600
16	116	15.0 (0.591)	21.4 (0.843)	22.4 (0.882)	↑	↑	↑	↑	1600
17	117	16.0 (0.630)	22.4 (0.882)	23.4 (0.921)	↑	↑	↑	↑	1500
18	118	17.0 (0.669)	23.4 (0.921)	24.4 (0.961)	↑	↑	↑	↑	1400
19	119	18.0 (0.709)	24.4 (0.961)	25.4 (1.000)	↓	↓	↓	↓	1400
20	120	19.0 (0.748)	25.4 (1.000)	26.4 (1.039)	3.4 (0.134)	5.0 (0.197)	6.5 (0.256)	0.8 (0.031)	1300
21	121	20.0 (0.787)	26.4 (1.039)	27.4 (1.079)	3.6 (0.142)	5.2 (0.205)	6.7 (0.264)	1.0 (0.039)	1300
22	122	21.0 (0.827)	27.4 (1.079)	28.4 (1.118)	↑	↑	↑	↑	1200
23	123	22.0 (0.866)	28.4 (1.118)	29.4 (1.157)	↑	↑	↑	↑	1200
24	124	23.0 (0.906)	29.4 (1.157)	30.4 (1.197)	↓	↓	↓	↓	1100
25	00 6208 XX0 125 001	24.0 (0.945)	30.4 (1.197)	31.4 (1.236)	3.6 (0.142)	5.2 (0.205)	6.7 (0.264)	1.0 (0.039)	1100
26	00 6208 XX0 126 001	25.0 (0.984)	31.4 (1.236)	32.4 (1.276)	3.9 (0.154)	5.5 (0.217)	7.0 (0.276)	1.3 (0.051)	1100
27	127	26.0 (1.024)	32.4 (1.276)	33.4 (1.315)	↑	↑	↑	↑	1000
28	128	27.0 (1.063)	33.4 (1.315)	34.4 (1.354)	↑	↑	↑	↑	1000
29	129	28.0 (1.102)	34.4 (1.354)	35.4 (1.394)	↓	↓	↓	↓	1000
30	00 6208 XX0 130 001	29.0 (1.142)	35.4 (1.433)	36.4 (1.473)	3.9 (0.154)	5.5 (0.217)	7.0 (0.276)	1.3 (0.051)	900

HOW TO ORDER

00

6208

XX0

1XX

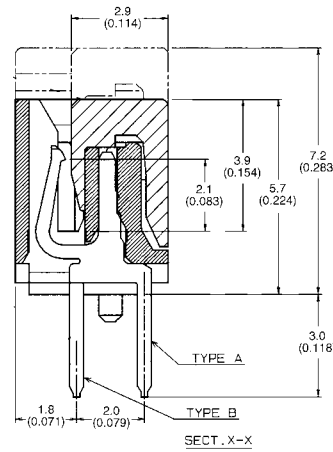
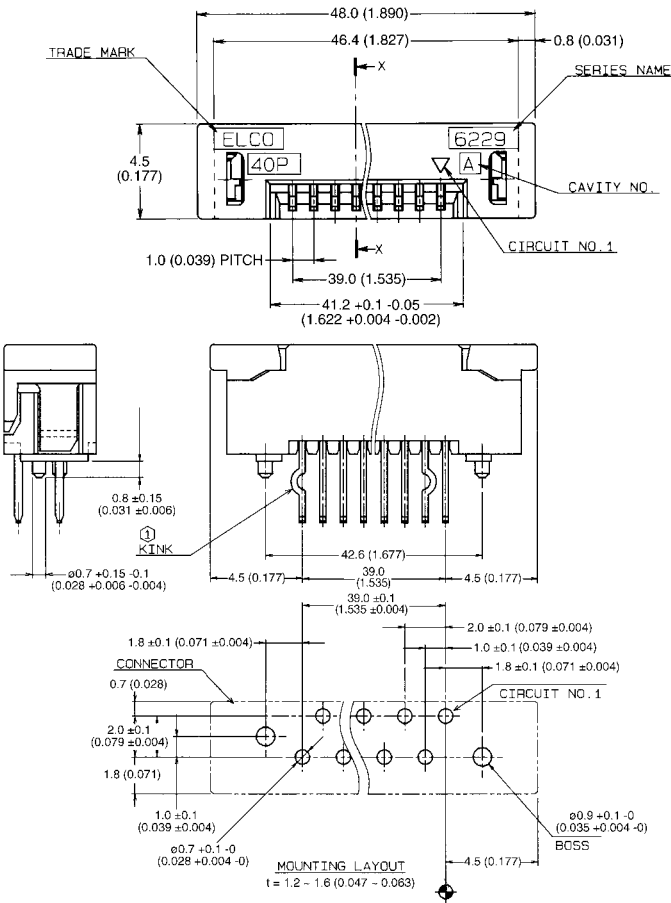
001

0 = With Kinked Leg 0 = Without Boss
1 = Without Kinked Leg 1 = With Boss

Number of Contacts

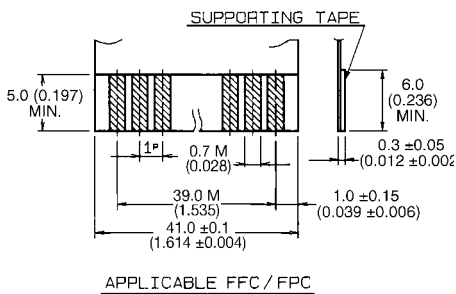
1.00mm Pitch

Series 6229 - ZIF Vertical Through Hole



Specifications

- Number of Contacts – 40 only available
- Tray Packaged
- Voltage – 50V
- Current Rating – 1.0 amp max.
- Dielectric Withstanding Voltage – 500V RMS min.
- Operating Temperature – (-40°C - +85°C)
- Contact Material – phosphor bronze (tin-lead plated)
- Insulator Material – PPS, black color (UL 94 V-O)
- Slider Material – PPS, natural color (UL 94 V-O)
- FFC/FPC Thickness – 0.3 ± 0.05 mm (0.012 ± 0.002")
- Profile Height – 5.70mm



Kind	Tolerance		
	P	W	M
FFC	±0.05	±0.03	±0.1
FPC	±0.02	+0.07 -0.05	±0.05

HOW TO ORDER

00

6229

640

003

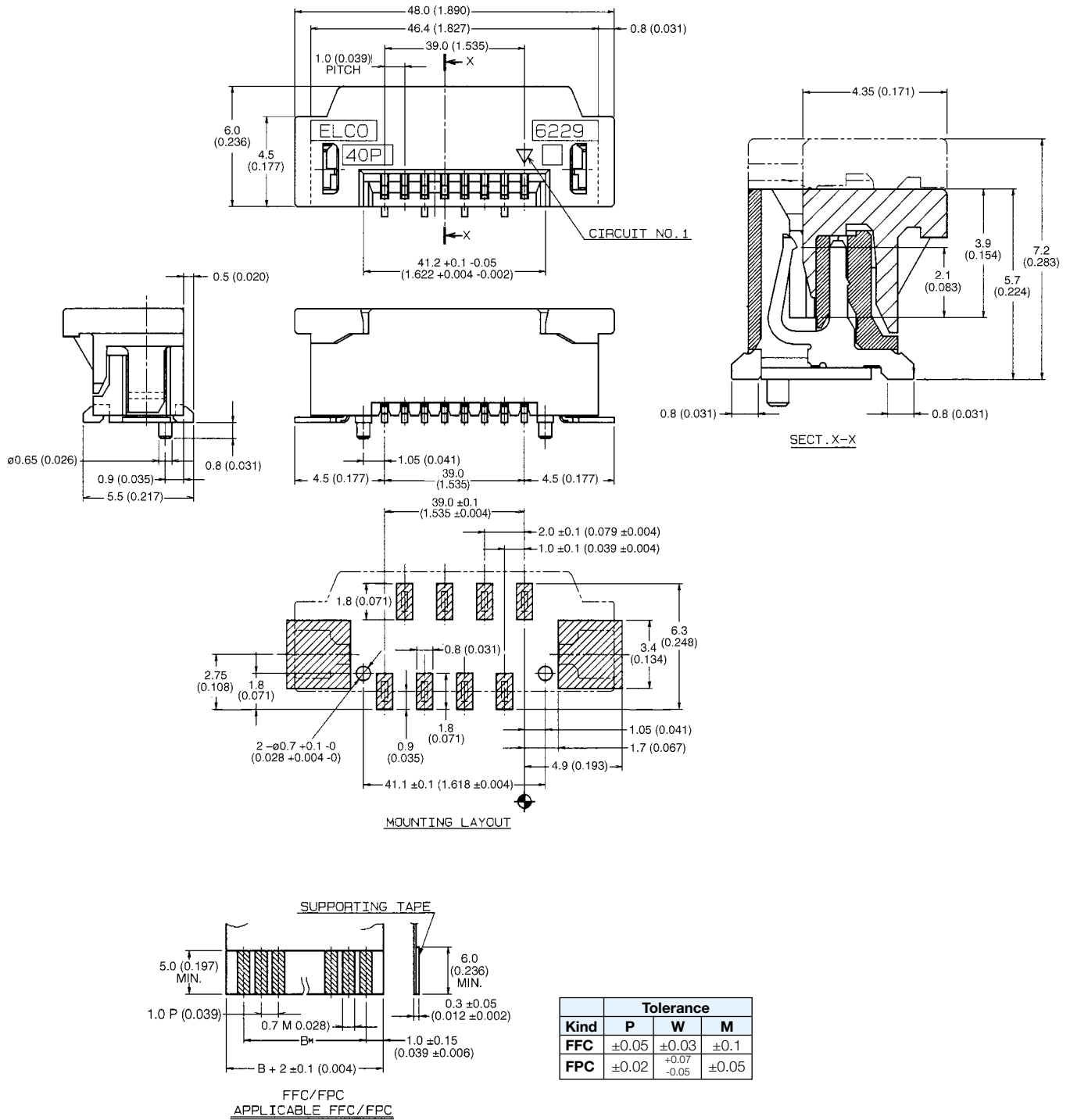
800

Number of Contacts

700 Pieces per Box.

1.00mm Pitch

Series 6229 - ZIF Vertical SMT



HOW TO ORDER

00

6229

040

00X

800

Number of Contacts

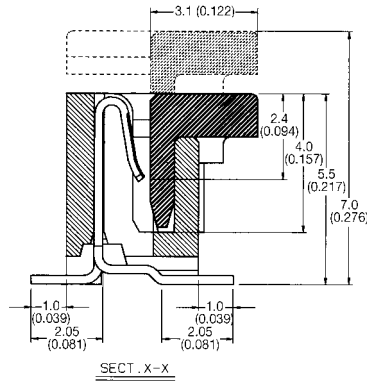
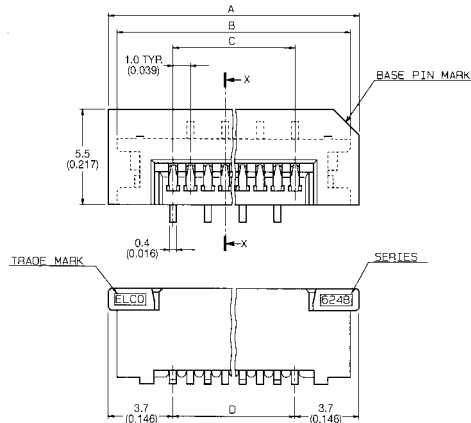
Variation Code

1 = Without Boss
2 = With Boss

700 Pieces per Box.

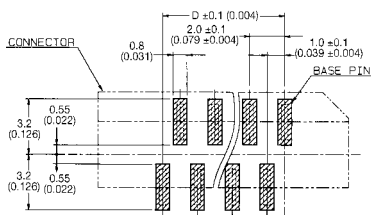
1.00mm Pitch

Series 6248 - ZIF Vertical SMT



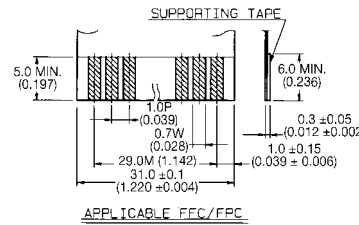
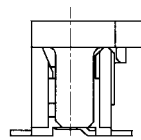
Specifications

- Number of Contacts – 24 and 30 only available
- Tape & Reel
- Voltage – 50V
- Current Rating – 0.5 amp max.
- Dielectric Withstanding Voltage – 500V RMS min.
- Operating Temperature – (-40°C - +85°C)
- Contact Material – phosphor bronze (tin-lead plated)
- Insulator Material – glass-filled PPS (UL 94 V-O)
- FFC/FPC Thickness – 0.3 ±0.05mm (0.012 ±0.002")
- Profile Height – 3.0mm - 5.5mm



MOUNTING LAYOUT

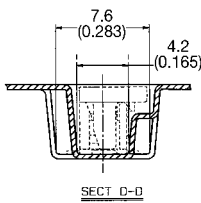
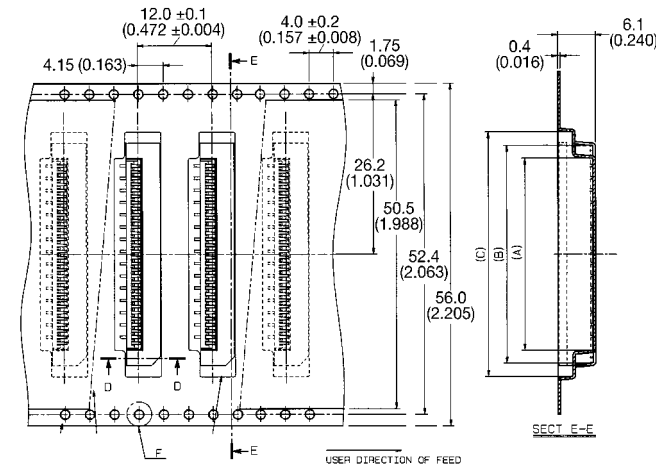
t=1.2 - 1.6
(0.047 - 0.063)



Kind	Tolerance		
	P	W	M
FFC	±0.05	±0.03	±0.1
FPC	±0.02	+0.07 -0.05	±0.05

No. of Contacts	Dimension			
	A	B	C	D
24	30.4 (1.197)	29.4 (1.157)	23.0 (0.906)	23.0 (0.906)
30	36.4 (1.433)	35.4 (1.394)	29.0 (1.142)	29.0 (1.142)

TAPE AND REEL PACKAGE



No. of Contacts	Dimension		
	A	B	C
24	25.4 (1.000)	29.6 (1.165)	34.0 (1.339)
30	31.4 (1.236)	35.6 (1.402)	40.0 (1.575)

HOW TO ORDER

04

6248

0XX

001

800

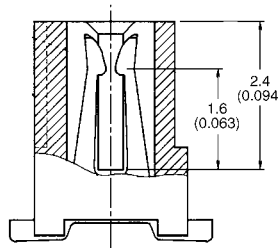
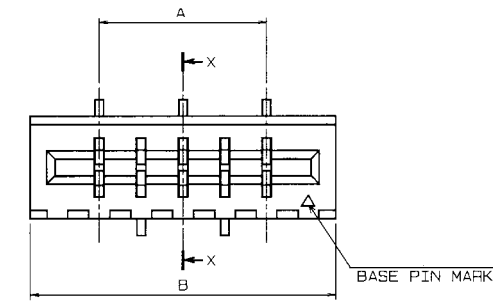
Number of Contacts

900 Connectors per Tape and Reel.

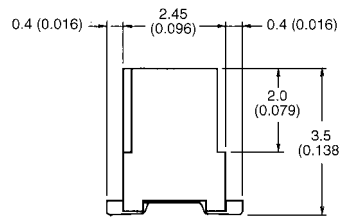
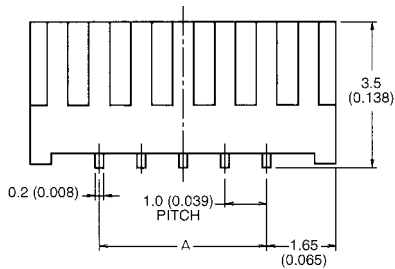


1.00mm Pitch

Series 6226 - LIF Vertical SMT (Dual Sided Contact Type)

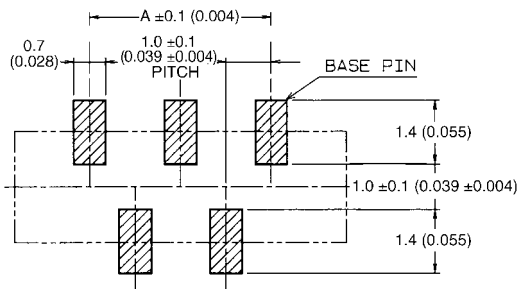


SECT. X-X

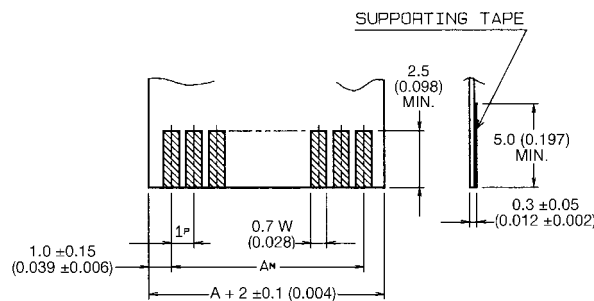


Specifications

- Number of Contacts – 4-20
- Tray Packaged
- Some sizes available Tape & Reeled – Contact Sales Office
- Voltage – 50V
- Current Rating – 1.0 amp max.
- Dielectric Withstanding Voltage – 500V RMS min.
- Operating Temperature – (-20°C - +85°C)
- Contact Material – phosphor bronze (tin-lead plated)
- Insulator Material – glass-filled nylon
- FFC/FPC Thickness – 0.3 ±0.05mm (0.012 ±0.002")
- Profile Height – 3.50mm (0.138")



MOUNTING LAYOUT (CONN. MOUNTING SIDE)



FFC/FPC
APPLICABLE FFC/FPC

Kind	Tolerance		
	P	W	M
FFC	±0.05	±0.03	±0.1
FPC	±0.02	+0.07 -0.05	±0.05

Assembly Number	No. of Contacts	A	B	Qty. Per Box
00 6226 004 001 800	04	3.0 (0.118)	6.3 (0.248)	6840
↑	↑	4.0 (0.157)	7.3 (0.287)	5760
006	06	5.0 (0.197)	8.3 (0.327)	5160
007	07	6.0 (0.236)	9.3 (0.366)	4680
008	08	7.0 (0.276)	10.3 (0.406)	4200
009	09	8.0 (0.315)	11.3 (0.445)	3840
010	10	9.0 (0.354)	12.3 (0.484)	3360
011	11	10.0 (0.394)	13.3 (0.524)	3240
012	12	11.0 (0.433)	14.3 (0.563)	3000
013	13	12.0 (0.472)	15.3 (0.602)	2760
014	14	13.0 (0.512)	16.3 (0.642)	2640
015	15	14.0 (0.551)	17.3 (0.681)	2400
016	16	15.0 (0.591)	18.3 (0.720)	2280
017	17	16.0 (0.630)	19.3 (0.760)	2000
018	18	17.0 (0.669)	20.3 (0.799)	2040
↓	↓	18.0 (0.709)	21.3 (0.839)	1920
00 6226 020 001 800	20	19.0 (0.748)	22.3 (0.878)	1920

HOW TO ORDER

00

6226

0XX

001

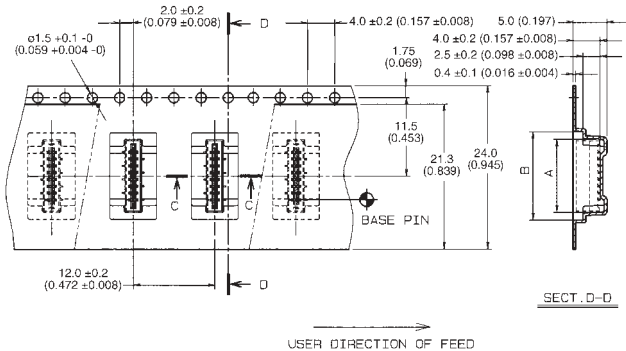
800

Number of Contacts

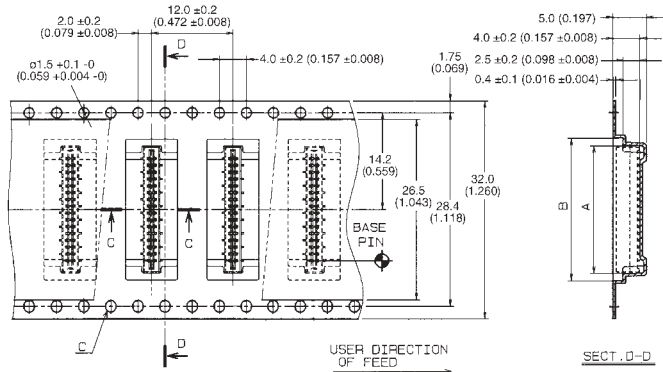
See page 66 for ordering in Tape and Reel.

1.00mm Pitch

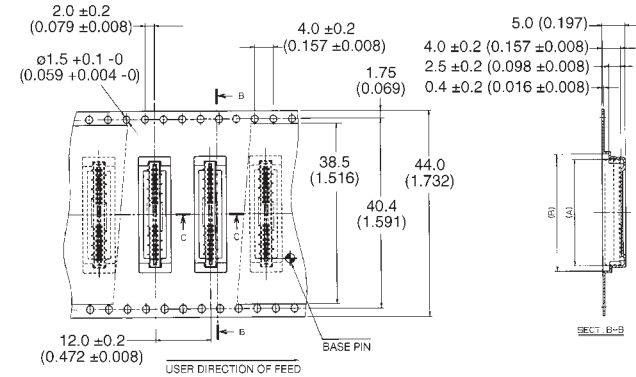
Series 6226 - Tape and Reel Package



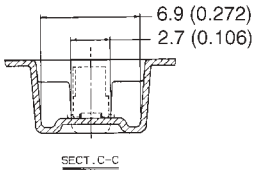
Assembly Number	No. of Contacts	A	B
04 6226 008 201 800	08	10.7 (0.421)	12.7 (0.500)



Assembly Number	No. of Contacts	A	B
04 6226 010 301 800	10	12.7 (0.500)	14.7 (0.579)
04 6226 016 301 800	16	18.7 (0.736)	20.7 (0.815)



Assembly Number	No. of Contacts	A	B
04 6226 020 401 800	20	22.7 (0.894)	24.7 (0.972)



HOW TO ORDER

04

6226

0XX

X01

800

Number of Contacts

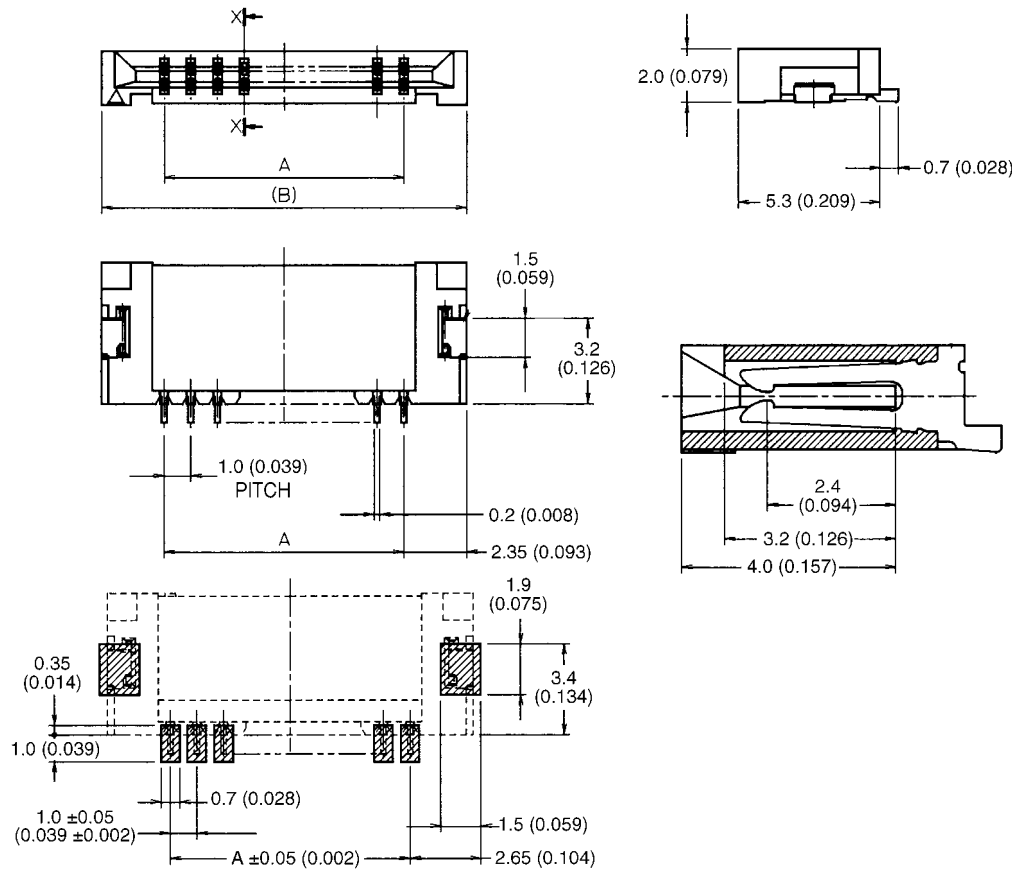
Variation Code

- 2 = Emboss 24.0mm
- 3 = Emboss 32.0mm
- 4 = Emboss 44.0mm

1000 Connectors per Tape and Reel.

1.00mm Pitch

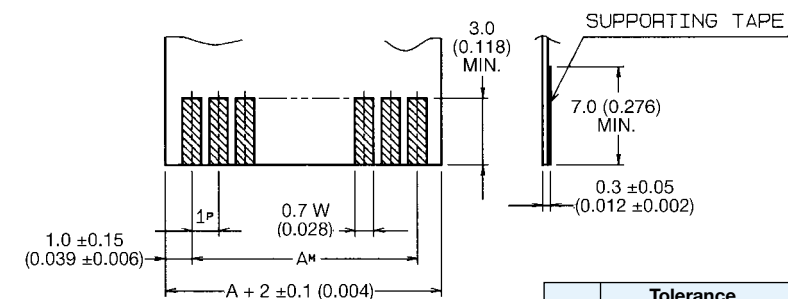
Series 6227 - LIF Right Angle SMT (Dual Sided Contact Type)



MOUNTING LAYOUT (CONN. MOUNTING SIDE)

Specifications

- Number of Contacts – 4-20
- 1000 Connectors per Tape & Reel
- Voltage – 50V
- Current Rating – 1.0 amp max.
- Dielectric Withstanding Voltage – 500V RMS min.
- Operating Temperature – (-40°C - +85°C)
- Contact & Metal Tab Material – phosphor bronze (tin-lead plated)
- Insulator Material – nylon 46, natural color (UL 94 V-0)
- FFC/FPC Thickness – 0.3 ±0.05mm (0.012 ±0.002")
- Profile Height – 2.00mm (0.079")



FFC/FPC
APPLICABLE FFC/FPC

Tolerance			
Kind	P	W	M
FFC	±0.05	±0.03	±0.1
FPC	±0.02	+0.07 -0.05	±0.05

No. of Contacts	Dimension	
	A	B
04	3.0 (0.118)	7.7 (0.303)
05	4.0 (0.157)	8.7 (0.343)
06	5.0 (0.197)	9.7 (0.382)
07	6.0 (0.236)	10.7 (0.421)
08	7.0 (0.276)	11.7 (0.461)
09	8.0 (0.315)	12.7 (0.500)
10	9.0 (0.354)	13.7 (0.539)
11	10.0 (0.394)	14.7 (0.579)
12	11.0 (0.433)	15.7 (0.618)
13	12.0 (0.472)	16.7 (0.658)
14	13.0 (0.512)	17.7 (0.697)
15	14.0 (0.551)	18.7 (0.736)
16	15.0 (0.591)	19.7 (0.776)
17	16.0 (0.630)	20.7 (0.815)
18	17.0 (0.669)	21.7 (0.854)
19	18.0 (0.709)	22.7 (0.894)
20	19.0 (0.748)	23.7 (0.933)

HOW TO ORDER

04

6227

0XX

100

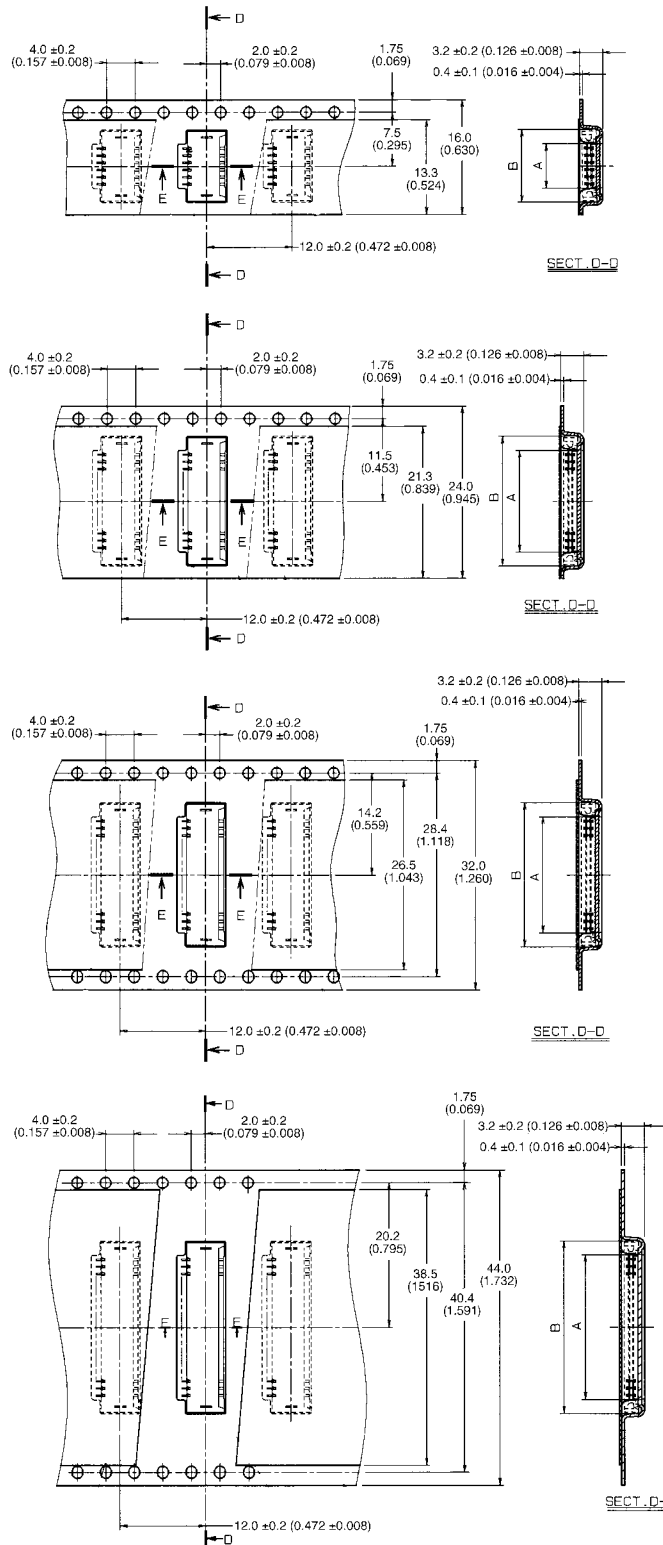
800

Number of Contacts

1000 Connectors per Tape and Reel.

1.00mm Pitch

Series 6227 - Tape and Reel Package

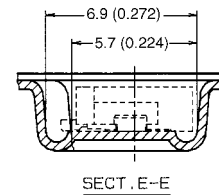


Assembly Number	No. of Contacts	A	B
04 6227 004 100 800	04	4.2 (0.165)	8.1 (0.319)
04 6227 005 100 800	05	5.2 (0.205)	9.1 (0.358)
04 6227 006 100 000	06	6.2 (0.244)	10.1 (0.398)

Assembly Number	No. of Contacts	A	B
04 6227 007 100 800	07	7.2 (0.283)	11.1 (0.437)
↑ 008 ↑	08	8.2 (0.323)	12.1 (0.476)
009	09	9.2 (0.402)	13.1 (0.555)
010	10	10.2 (0.441)	14.1 (0.594)
011	11	11.2 (0.480)	15.1 (0.634)
012	12	12.2 (0.520)	16.1 (0.673)
↓ 013 ↓	13	13.2 (0.559)	17.1 (0.713)
04 6227 014 100 800	14	14.2 (0.559)	18.1 (0.713)

Assembly Number	No. of Contacts	A	B
15	15.2 (0.598)	04 6227 19.1 (0.752)	D15 100 800
↑ 16 ↓	16.2 (0.638)	04 6227 20.1 (0.791)	

Assembly Number	No. of Contacts	A	B
19	19.2 (0.756)	04 6227 23.1 (0.909)	D19 100 800



HOW TO ORDER

04

6227

0XX

100

800

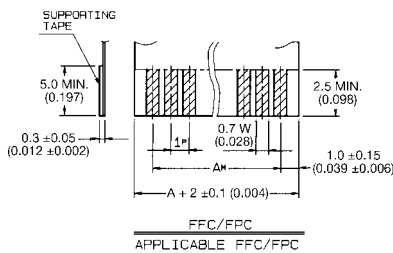
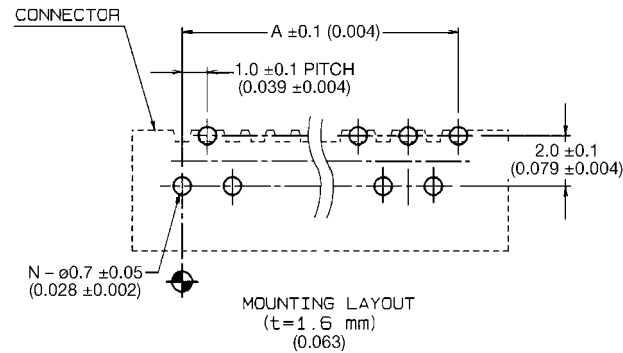
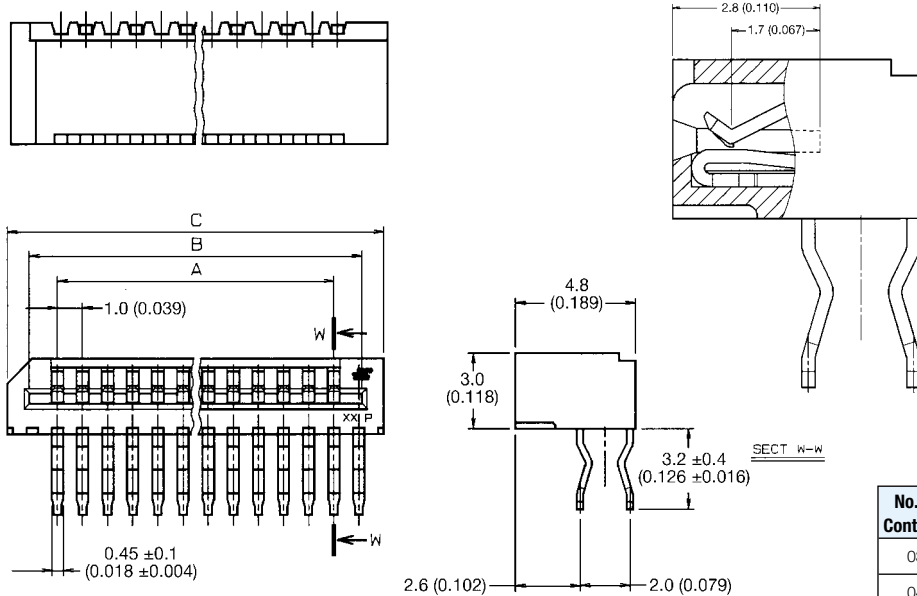
Number of Contacts

ELCO

1000 Connectors per Tape and Reel.

1.00mm Pitch

Series 6228 - LIF Right Angle Through Hole (Top Contact Type)



Kind	Tolerance		
	P	W	M
FFC	±0.05	±0.03	±0.1
FPC	±0.02	+0.1 -0.05	±0.05

Specifications

- Number of Contacts – 3-30
- Tray Packaged
- Voltage – 50V
- Current Rating – 0.5 amp max.
- Dielectric Withstanding Voltage – 500V RMS min.
- Operating Temperature – (-20°C - +85°C)
- Contact Material – phosphor bronze (tin-lead plated)
- Insulator Material – 66 nylon, natural color (UL 94 V-O)
- FFC/FPC Thickness – 0.3 ± 0.05 mm (0.012 ± 0.002")
- PCB Thickness – 1.60mm (0.063")
- Profile Height – 3.0mm (0.118") right angle, 4.8mm (0.189") straight

No. of Contacts	Assembly Number			Qty.	
	A	B	C		
03	00 6228 003 201 800	2.0 (0.079)	4.1 (0.161)	6.0 (0.236)	6960
04	004	3.0 (0.118)	5.1 (0.201)	7.0 (0.276)	6000
05	005	4.0 (0.157)	6.1 (0.240)	8.0 (0.315)	5280
06	006	5.0 (0.197)	7.1 (0.280)	9.0 (0.354)	4680
07	007	6.0 (0.236)	8.1 (0.319)	10.0 (0.394)	4200
08	008	7.0 (0.276)	9.1 (0.358)	11.0 (0.433)	3840
09	009	8.0 (0.315)	10.1 (0.398)	12.0 (0.472)	3600
10	010	9.0 (0.354)	11.1 (0.437)	13.0 (0.512)	3240
11	011	10.0 (0.394)	12.1 (0.476)	14.0 (0.551)	3000
12	012	11.0 (0.433)	13.1 (0.516)	15.0 (0.591)	2880
13	013	12.0 (0.472)	14.1 (0.555)	16.0 (0.630)	2640
14	014	13.0 (0.512)	15.1 (0.594)	17.0 (0.669)	2520
15	015	14.0 (0.551)	16.1 (0.634)	18.0 (0.709)	2400
16	016	15.0 (0.591)	17.1 (0.673)	19.0 (0.748)	2280
17	017	16.0 (0.630)	18.1 (0.713)	20.0 (0.787)	2040
18	018	17.0 (0.669)	19.1 (0.752)	21.0 (0.827)	2040
19	019	18.0 (0.709)	20.1 (0.791)	22.0 (0.866)	1920
20	020	19.0 (0.748)	21.1 (0.831)	23.0 (0.906)	1800
21	021	20.0 (0.787)	22.1 (0.870)	24.0 (0.945)	1800
22	022	21.0 (0.827)	23.1 (0.909)	25.0 (0.984)	1680
23	023	22.0 (0.866)	24.1 (0.949)	26.0 (1.024)	1560
24	024	23.0 (0.906)	25.1 (0.988)	27.0 (1.063)	1560
25	025	24.0 (0.945)	26.1 (1.028)	28.0 (1.102)	1440
26	026	25.0 (0.984)	27.1 (1.067)	29.0 (1.142)	1440
27	027	26.0 (1.024)	28.1 (1.106)	30.0 (1.181)	1440
28	028	27.0 (1.063)	29.1 (1.146)	31.0 (1.220)	1320
29	029	28.0 (1.102)	30.1 (1.185)	32.0 (1.260)	1320
30	00 6228 030 201 800	29.0 (1.142)	31.1 (1.224)	33.0 (1.299)	1200

HOW TO ORDER

00

6228

0XX

201

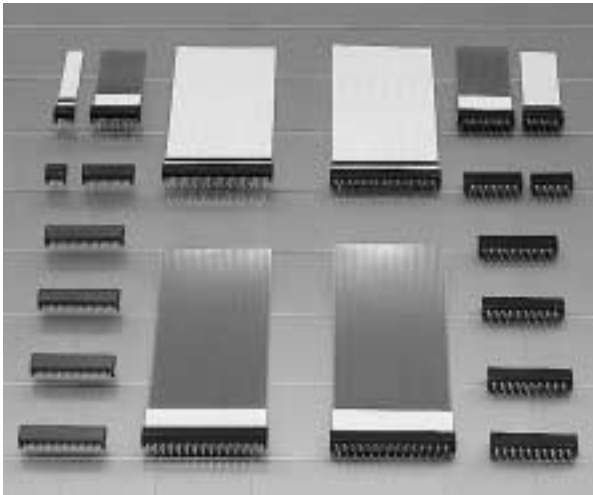
800

Number of Contacts

ELCO

1.25mm Pitch

Product Selector Guide



We also can supply C/Carbon Silver-type connectors.

SMT	ST (Vertical)	ZIF NON-ZIF (LIF)	6207
	RA (Right Angle)	ZIF NON-ZIF (LIF)	6207
DIP (Through Hole)	ST (Vertical)	ZIF NON-ZIF (LIF)	6205 8370 6216
	RA (Right Angle)	ZIF	
		NON-ZIF (LIF)	8370 6216
	Bottom Entry	NON-ZIF (LIF)	6203
	Direct	-	5062

millimeters (inches)

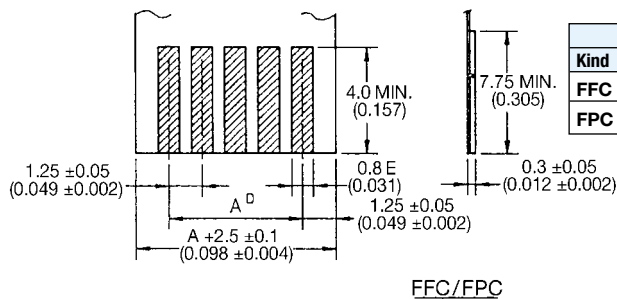
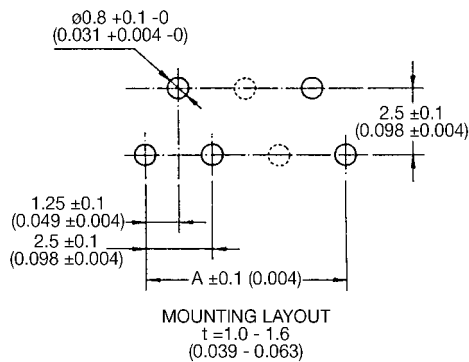
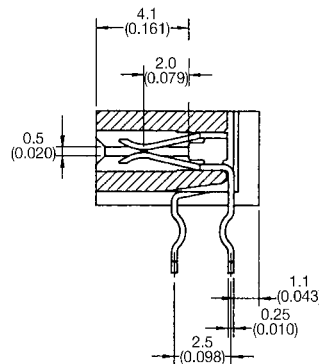
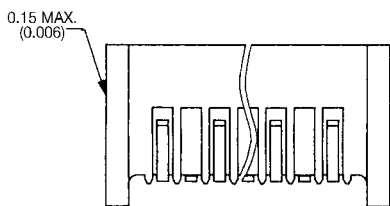
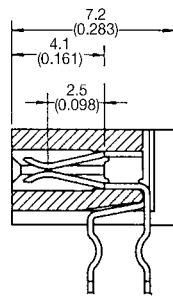
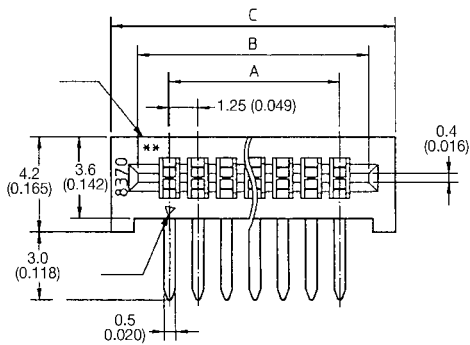
Series	8370		6216			6205	6207		6203	5062
Type	NON-ZIF (LIF) RA DIP	NON-ZIF (LIF) ST DIP	NON-ZIF (LIF) RA DIP	NON-ZIF (LIF) RA DIP	NON-ZIF (LIF) ST DIP	ZIF ST DIP	NON-ZIF (LIF) RA SMT	NON-ZIF (LIF) ST SMT	NON-ZIF (LIF) RA DIP Bottom Entry	NON-ZIF (LIF) RA ST Direct
Contact	Dual	Dual	Top	Bottom	Single	Single	Dual	Dual	Single	
Profile Height in mm	4.20 (0.165)	7.20 (0.283)	4.20 (0.165)	4.20 (0.165)	7.00 (0.276)	8.80 (0.346)	3.50 (0.138)	7.00 (0.276)	5.50 (0.217)	5.00 (0.197)
Number of Contacts	4-30	4-30	4-40	4-30	4-40	8-40	5-20	5-20	5-15	5-30
Current Rating	1.0A Max.	1.0A Max.	1.0A Max.	1.0A Max.	1.0A Max.	1.0A Max.	1.0A Max.	1.0A Max.	1.0A Max.	1.0A Max.
Voltage Rating	125V Max.	125V Max.	125V Max.	125V Max.	125V Max.	125V Max.	125V Max.	125V Max.	125V Max.	125V Max.
Dielectric Withstanding Voltage	500Vrms	500Vrms	500Vrms	500Vrms	500Vrms	500Vrms	500Vrms	500Vrms	500Vrms	500Vrms
Contact Material	Phosphor bronze Tin-Plated	Phosphor bronze Tin-Plated	Phosphor bronze Tin-Plated	Phosphor bronze Tin-Plated	Phosphor bronze Tin-Plated	Phosphor bronze Tin-Plated	Phosphor bronze Tin-Plated	Phosphor bronze Tin-Plated	Phosphor bronze Tin-Plated	Phosphor bronze Tin-Plated
Insulator Material	Glass-filled PBT	Glass-filled PBT	Glass-filled PBT	Glass-filled PBT	Glass-filled PBT	Glass-filled PBT	Glass-filled PPS	Glass-filled PPS	Glass-filled Nylon	Glass-filled PBT
Operating Temperature	-40°C~+85°C		-40°C~+85°C			-40°C~+85°C	-40°C~+85°C		-40°C~+85	-40°C~+85°C
FFC/FPC Thickness	0.3±0.05 (0.012±0.002)	0.3±0.05 (0.012±0.002)	0.3±0.05 (0.012±0.002)	0.3±0.05 (0.012±0.002)	0.3±0.05 (0.012±0.002)	0.3±0.05 (0.012±0.002)	0.3±0.05 (0.012±0.002)	0.3±0.05 (0.012±0.002)	0.3±0.05 (0.012±0.002)	
Page	71-72		73-77			78	79-80		81	82

RA = Right Angle ST = Straight DIP = Through Hole

1.25mm Pitch

Series 8370

LIF Right Angle Through Hole (Dual Sided Contact Type)



Kind	Tolerance	
	D	E
FFC	±0.1	±0.03
FPC	±0.05	±0.1

Specifications

- Number of Contacts – 4-30
- Tray Packaged/Box
- Voltage – 125V
- Current Rating – 1.0 amp max.
- Dielectric Withstanding Voltage – 500V RMS min.
- Operating Temperature – (-40°C - +85°C)
- Contact Material – phosphor bronze (tin-lead plated)
- Insulator Material – glass-filled PBT, (UL 94 V-O) black color
- FFC/FPC Thickness – 0.3 ± 0.05mm (0.012 ± 0.002")
- PCB Thickness – 1.0-1.6mm (0.039-0.063")
- Profile Height – Straight - 7.2mm (0.283")
Right Angle - 4.2mm (0.165")

No. of Contacts	Dimension			Qty. per Box
	A	B	C	
04	3.75 (0.148)	6.41 (0.252)	8.75 (0.344)	4100
05	5.0 (0.197)	7.66 (0.302)	10.0 (0.394)	3500
06	6.25 (0.246)	8.91 (0.351)	11.25 (0.443)	3200
07	7.5 (0.295)	10.16 (0.400)	12.5 (0.492)	2800
08	8.75 (0.344)	11.41 (0.449)	13.75 (0.541)	2600
09	10.0 (0.394)	12.66 (0.498)	15.0 (0.591)	2400
10	11.25 (0.443)	13.91 (0.548)	16.25 (0.640)	2200
11	12.5 (0.492)	15.16 (0.597)	17.5 (0.689)	2000
12	13.75 (0.541)	16.41 (0.646)	18.75 (0.738)	1900
13	15.0 (0.591)	17.66 (0.695)	20.0 (0.787)	1800
14	16.25 (0.640)	18.91 (0.744)	21.25 (0.837)	1700
15	17.5 (0.689)	20.16 (0.794)	22.5 (0.886)	1600
16	18.75 (0.738)	21.41 (0.843)	23.75 (0.935)	1500
17	20.0 (0.787)	22.66 (0.892)	25.0 (0.984)	1400
18	21.25 (0.837)	23.91 (0.941)	26.25 (1.033)	1300
19	22.5 (0.886)	25.16 (0.991)	27.5 (1.083)	1200
20	23.75 (0.935)	26.41 (1.040)	28.75 (1.132)	1200
21	25.0 (0.984)	27.66 (1.089)	30.0 (1.181)	1100
22	26.25 (1.033)	28.91 (1.138)	31.25 (1.230)	1100
23	27.5 (1.083)	30.16 (1.187)	32.5 (1.280)	1000
24	28.75 (1.132)	31.41 (1.237)	33.75 (1.329)	1000
25	30.0 (1.181)	32.66 (1.286)	35.0 (1.378)	1000
26	31.25 (1.230)	33.91 (1.335)	36.25 (1.427)	900
27	32.5 (1.280)	35.16 (1.384)	37.5 (1.476)	900
28	33.75 (1.329)	36.41 (1.433)	38.75 (1.526)	900
29	35.0 (1.378)	37.66 (1.483)	40.0 (1.575)	800
30	36.25 (1.427)	38.91 (1.532)	41.25 (1.624)	800

HOW TO ORDER

00

8370

XX7

000

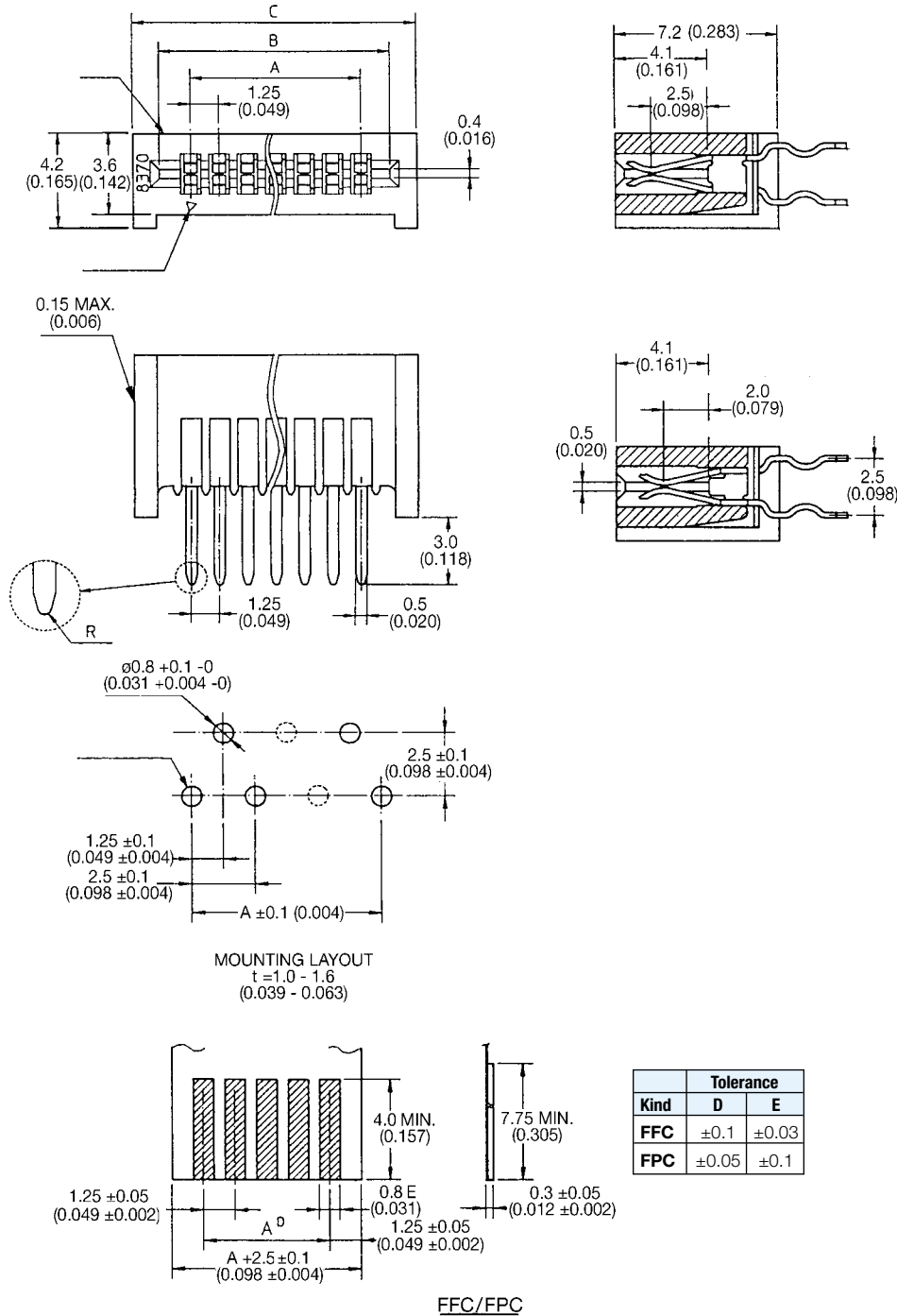
800

Number of Contacts

1.25mm Pitch

Series 8370

LIF Vertical Through Hole (Dual Sided Contact Type)



No. of Contacts	Dimension			Qty. per Box
	A	B	C	
04	3.75 (0.148)	6.41 (0.252)	8.75 (0.344)	4100
05	5.0 (0.197)	7.66 (0.302)	10.0 (0.394)	3500
06	6.25 (0.246)	8.91 (0.351)	11.25 (0.443)	3200
07	7.5 (0.295)	10.16 (0.400)	12.5 (0.492)	2800
08	8.75 (0.344)	11.41 (0.449)	13.75 (0.541)	2600
09	10.0 (0.394)	12.66 (0.498)	15.0 (0.591)	2400
10	11.25 (0.443)	13.91 (0.548)	16.25 (0.640)	2200
11	12.5 (0.492)	15.16 (0.597)	17.5 (0.689)	2000
12	13.75 (0.541)	16.41 (0.646)	18.75 (0.738)	1900
13	15.0 (0.591)	17.66 (0.695)	20.0 (0.787)	1800
14	16.25 (0.640)	18.91 (0.744)	21.25 (0.837)	1700
15	17.5 (0.689)	20.16 (0.794)	22.5 (0.886)	1600
16	18.75 (0.738)	21.41 (0.843)	23.75 (0.935)	1500
17	20.0 (0.787)	22.66 (0.892)	25.0 (0.984)	1400
18	21.25 (0.837)	23.91 (0.941)	26.25 (1.033)	1300
19	22.5 (0.886)	25.16 (0.991)	27.5 (1.083)	1200
20	23.75 (0.935)	26.41 (1.040)	28.75 (1.132)	1200
21	25.0 (0.984)	27.66 (1.089)	30.0 (1.181)	1100
22	26.25 (1.033)	28.91 (1.138)	31.25 (1.230)	1100
23	27.5 (1.083)	30.16 (1.187)	32.5 (1.280)	1000
24	28.75 (1.132)	31.41 (1.237)	33.75 (1.329)	1000
25	30.0 (1.181)	32.66 (1.286)	35.0 (1.378)	1000
26	31.25 (1.230)	33.91 (1.335)	36.25 (1.427)	900
27	32.5 (1.280)	35.16 (1.384)	37.5 (1.476)	900
28	33.75 (1.329)	36.41 (1.433)	38.75 (1.526)	900
29	35.0 (1.378)	37.66 (1.483)	40.0 (1.575)	800
30	36.25 (1.427)	38.91 (1.532)	41.25 (1.624)	800

HOW TO ORDER

00

8370

XX1

000

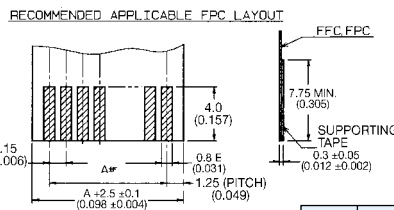
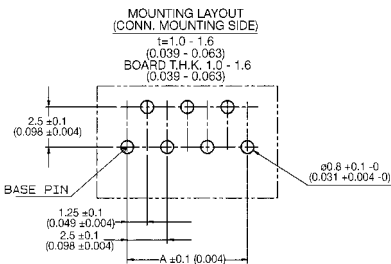
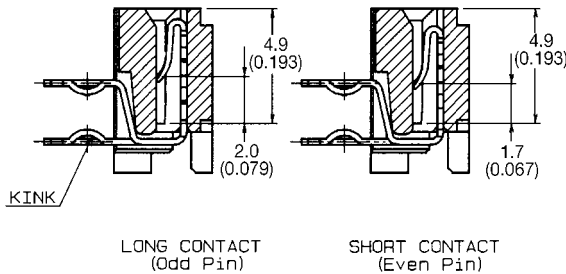
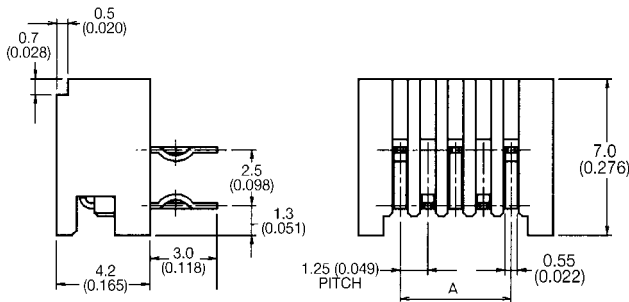
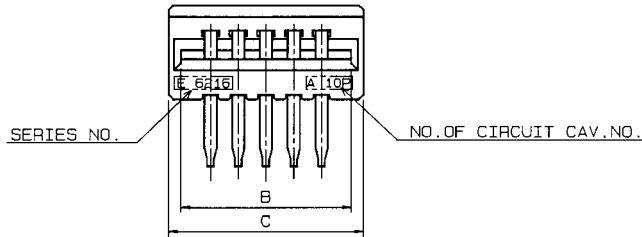
800

Number of Contacts

1.25mm Pitch

Series 6216

LIF Right Angle Through Hole (Top Contact Type)



Tolerance		
Kind	D	E
FFC	±0.1	±0.03
FPC	±0.05	±0.1

Specifications

- Number of Contacts – 4-40
- Tray Packaged/Box
- Voltage – 200V
- Current Rating – 1.0 amp max.
- Dielectric Withstanding Voltage – 500V RMS min.
- Operating Temperature – (-20°C - +85°C)
- Contact Material – phosphor bronze (tin-lead plated)
- Insulator Material – glass-filled PBT, (UL 94 V-O) black color
- FFC/FPC Thickness – 0.3 ± 0.05mm (0.012 ± 0.002")
- PCB Thickness – 1.0-1.6mm (0.039-0.063")
- Profile Height – Straight - 7.0mm (0.276")
Right Angle - 4.2mm (0.165")
- Reverse footprint for straight type also available – contact sales office for details

No. of Contacts	Dimension			Qty. Per Box
	A	B	C	
04	3.75 (0.148)	6.41 (0.252)	7.5 (0.295)	4800
05	5.0 (0.197)	7.66 (0.302)	8.75 (0.344)	4100
06	6.25 (0.246)	8.91 (0.351)	10.0 (0.394)	3600
07	7.5 (0.295)	10.16 (0.400)	11.25 (0.443)	3200
08	8.75 (0.344)	11.41 (0.449)	12.5 (0.492)	2800
09	10.0 (0.394)	12.66 (0.498)	13.75 (0.541)	2600
10	11.25 (0.443)	13.91 (0.548)	15.0 (0.591)	2400
11	12.5 (0.492)	15.16 (0.597)	16.25 (0.640)	2200
12	13.75 (0.541)	16.41 (0.646)	17.5 (0.689)	2000
13	15.0 (0.591)	17.66 (0.695)	18.75 (0.738)	1900
14	16.25 (0.640)	18.91 (0.744)	20.0 (0.787)	1800
15	17.5 (0.689)	20.16 (0.794)	21.25 (0.837)	1600
16	18.75 (0.738)	21.41 (0.843)	22.5 (0.886)	1600
17	20.0 (0.787)	22.66 (0.892)	23.75 (0.935)	1500
18	21.25 (0.837)	23.91 (0.941)	25.0 (0.984)	1400
19	22.5 (0.886)	25.16 (0.991)	26.25 (1.033)	1300
20	23.75 (0.935)	26.41 (1.040)	27.5 (1.083)	1300
21	25.0 (0.984)	27.66 (1.089)	28.75 (1.132)	1200
22	26.25 (1.033)	28.91 (1.138)	30.0 (1.181)	1200
23	27.5 (1.083)	30.16 (1.187)	31.25 (1.230)	1100
24	28.75 (1.132)	31.41 (1.237)	32.5 (1.280)	1100
25	30.0 (1.181)	32.66 (1.286)	33.75 (1.329)	1000
26	31.25 (1.230)	33.91 (1.335)	35.0 (1.378)	1000
27	32.5 (1.280)	35.16 (1.384)	36.25 (1.427)	900
28	33.75 (1.329)	36.41 (1.433)	37.5 (1.476)	900
29	35.0 (1.378)	37.66 (1.483)	38.75 (1.526)	900
30	36.25 (1.427)	38.91 (1.532)	40.0 (1.575)	900

HOW TO ORDER

00

6216

0XX

11X

808

Number of Contacts

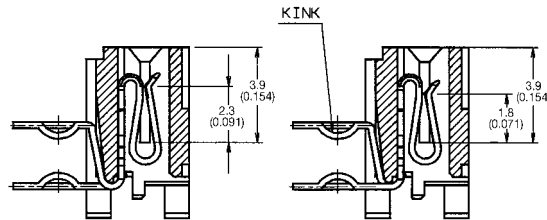
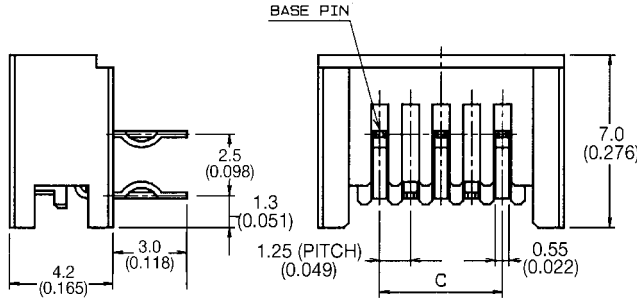
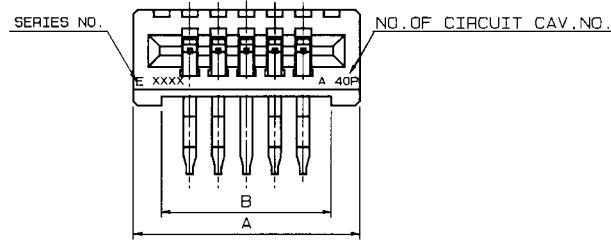
Variation Code

- 0 = With Kinked Legs
- (Each Two Pins at Both Ends)
- 1 = Without Kinked Legs

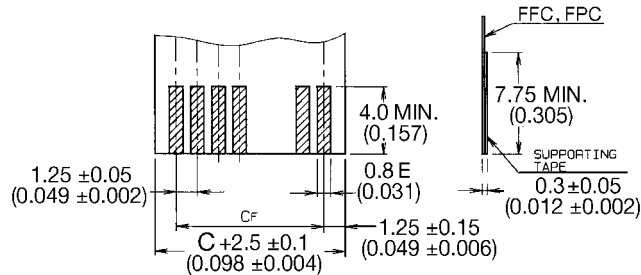
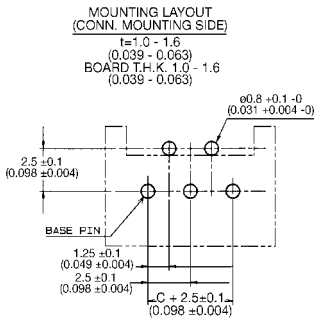
1.25mm Pitch

Series 6216

LIF Right Angle Through Hole High Pin Count



LONG CONTACT (ODD PIN) SHORT CONTACT (EVEN PIN)



APPLICABLE FFC/FPC

Kind	Tolerance	
	E	F
FFC	±0.03	±0.1
FPC	±0.1	±0.05

No. of Contacts	Dimension			Qty. Per Box
	A	B	C	
31	42.5 (1.673)	40.16 (1.581)	37.5 (1.476)	800
32	43.75 (1.722)	41.41 (1.630)	38.75 (1.526)	800
33	45.0 (1.772)	42.66 (1.680)	40.0 (1.575)	800
34	46.25 (1.821)	43.91 (1.729)	41.25 (1.624)	700
35	47.5 (1.870)	45.16 (1.778)	42.5 (1.673)	700
36	48.75 (1.919)	46.41 (1.827)	43.75 (1.722)	700
37	50.0 (1.968)	47.66 (1.876)	45.0 (1.772)	700
38	51.25 (2.018)	48.91 (1.926)	46.25 (1.821)	700
39	52.5 (2.067)	50.16 (1.975)	47.5 (1.870)	600
40	53.75 (2.116)	51.41 (2.024)	48.75 (1.919)	600

HOW TO ORDER

00

6216

0XX

12X

808

Number of Contacts

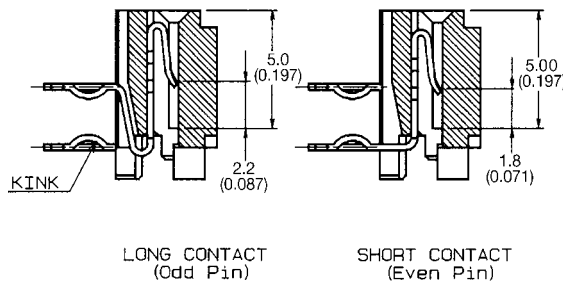
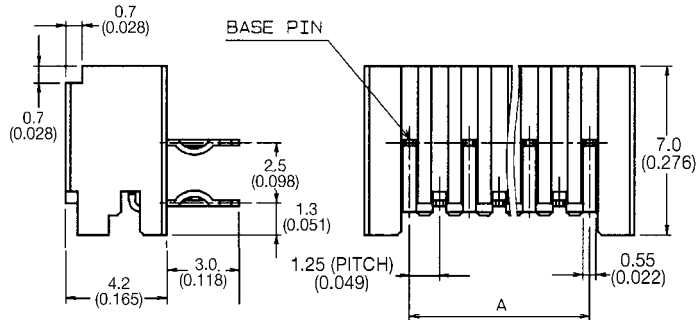
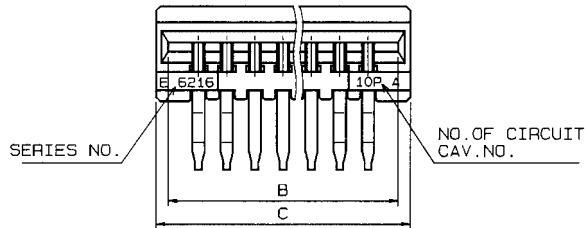
Variation Code

0 = With Kinked Legs
(Each Two Pins at Both Ends)
1 = Without Kinked Legs

1.25mm Pitch

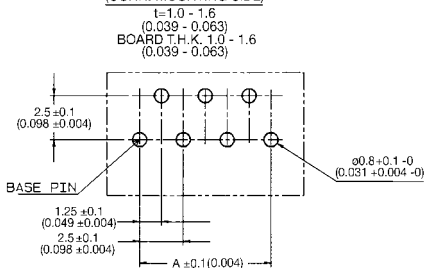
Series 6216

LIF Right Angle Through Hole (Bottom Contact Type)

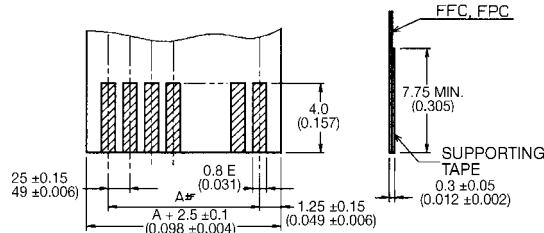


No. of Contacts	Dimension			Qty. Per Box
	A	B	C	
04	3.75 (0.148)	6.41 (0.252)	7.5 (0.295)	4800
05	5.0 (0.197)	7.66 (0.302)	8.75 (0.344)	4100
06	6.25 (0.246)	8.91 (0.351)	10.0 (0.394)	3600
07	7.5 (0.295)	10.16 (0.400)	11.25 (0.443)	3200
08	8.75 (0.344)	11.41 (0.449)	12.5 (0.492)	2800
09	10.0 (0.394)	12.66 (0.498)	13.75 (0.541)	2600
10	11.25 (0.443)	13.91 (0.548)	15.0 (0.591)	2400
11	12.5 (0.492)	15.16 (0.597)	16.25 (0.640)	2200
12	13.75 (0.541)	16.41 (0.646)	17.5 (0.689)	2000
13	15.0 (0.591)	17.66 (0.695)	18.75 (0.738)	1900
14	16.25 (0.640)	18.91 (0.744)	20.0 (0.787)	1800
15	17.5 (0.689)	20.16 (0.794)	21.25 (0.837)	1600
16	18.75 (0.738)	21.41 (0.843)	22.5 (0.886)	1600
17	20.0 (0.787)	22.66 (0.892)	23.75 (0.935)	1500
18	21.25 (0.837)	23.91 (0.941)	25.0 (0.984)	1400
19	22.5 (0.886)	25.16 (0.991)	26.25 (1.033)	1300
20	23.75 (0.935)	26.41 (1.040)	27.5 (1.083)	1300
21	25.0 (0.984)	27.66 (1.089)	28.75 (1.132)	1200
22	26.25 (1.033)	28.91 (1.138)	30.0 (1.181)	1200
23	27.5 (1.083)	30.16 (1.187)	31.25 (1.230)	1100
24	28.75 (1.132)	31.41 (1.237)	32.5 (1.280)	1100
25	30.0 (1.181)	32.66 (1.286)	33.75 (1.329)	1000
26	31.25 (1.230)	33.91 (1.335)	35.0 (1.378)	1000
27	32.5 (1.280)	35.16 (1.384)	36.25 (1.427)	900
28	33.75 (1.329)	36.41 (1.433)	37.5 (1.476)	900
29	35.0 (1.378)	37.66 (1.483)	38.75 (1.526)	900
30	36.25 (1.427)	38.91 (1.532)	40.0 (1.575)	900

MOUNTING LAYOUT (CONN. MOUNTING SIDE)



RECOMMENDED APPLICABLE FPC LAYOUT



Kind	Tolerance	
	D	E
FPC	±0.03	±0.1
FPC	±0.1	±0.05

HOW TO ORDER

00

6216

0XX

10X

808

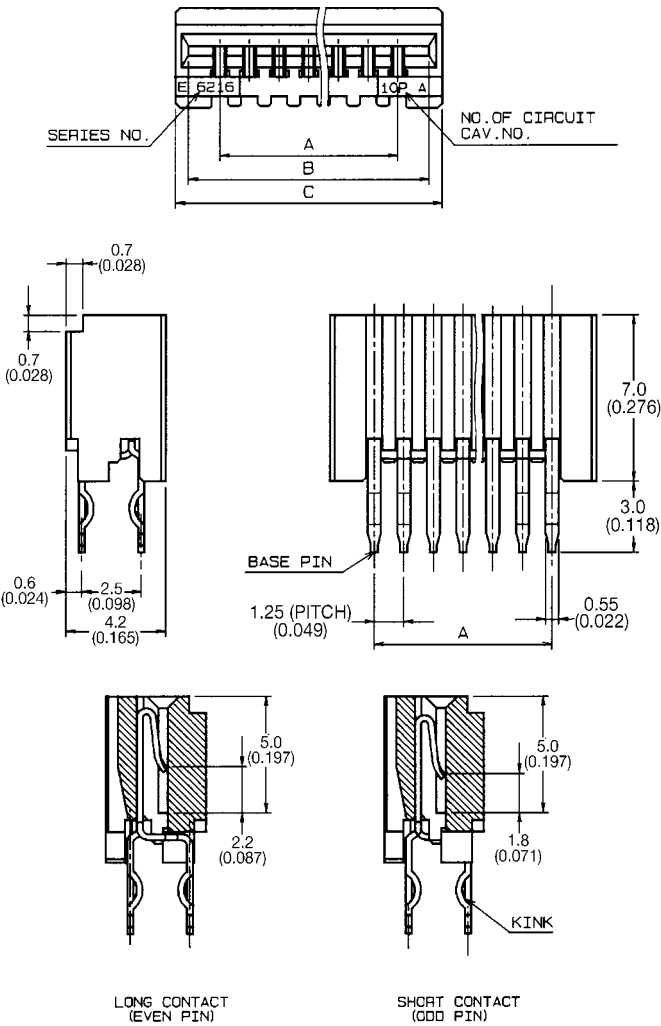
Number of Contacts

Variation Code

0 = With Kinked Legs
(Each Two Pins at Both Ends)
1 = Without Kinked Legs

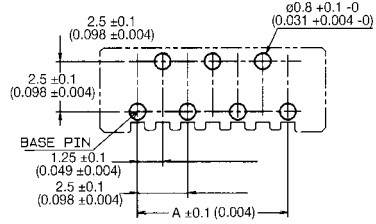
1.25mm Pitch

Series 6216 – LIF Vertical Through Hole

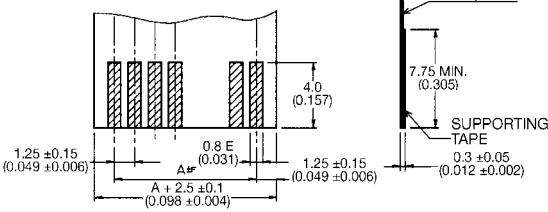


No. of Contacts	Dimension			Qty. Per Box
	A	B	C	
04	3.75 (0.148)	6.41 (0.252)	7.5 (0.295)	4800
05	5.0 (0.197)	7.66 (0.302)	8.75 (0.344)	4100
06	6.25 (0.246)	8.91 (0.351)	10.0 (0.394)	3600
07	7.5 (0.295)	10.16 (0.400)	11.25 (0.443)	3200
08	8.75 (0.344)	11.41 (0.449)	12.5 (0.492)	2800
09	10.0 (0.394)	12.66 (0.498)	13.75 (0.541)	2600
10	11.25 (0.443)	13.91 (0.548)	15.0 (0.591)	2200
11	12.5 (0.492)	15.16 (0.597)	16.25 (0.640)	2200
12	13.75 (0.541)	16.41 (0.646)	17.5 (0.689)	2000
13	15.0 (0.591)	17.66 (0.695)	18.75 (0.738)	1900
14	16.25 (0.640)	18.91 (0.744)	20.0 (0.787)	1800
15	17.5 (0.689)	20.16 (0.794)	21.25 (0.837)	1600
16	18.75 (0.738)	21.41 (0.843)	22.5 (0.886)	1600
17	20.0 (0.787)	22.66 (0.892)	23.75 (0.935)	1500
18	21.25 (0.837)	23.91 (0.941)	25.0 (0.984)	1400
19	22.5 (0.886)	25.16 (0.991)	26.25 (1.033)	1300
20	23.75 (0.935)	26.41 (1.040)	27.5 (1.083)	1300
21	25.0 (0.984)	27.66 (1.089)	28.75 (1.132)	1200
22	26.25 (1.033)	28.91 (1.138)	30.0 (1.181)	1200
23	27.5 (1.083)	30.16 (1.187)	31.25 (1.230)	1100
24	28.75 (1.132)	31.41 (1.237)	32.5 (1.280)	1100
25	30.0 (1.181)	32.66 (1.286)	33.75 (1.329)	1000
26	31.25 (1.230)	33.91 (1.335)	35.0 (1.378)	1000
27	32.5 (1.280)	35.16 (1.384)	36.25 (1.427)	900
28	33.75 (1.329)	36.41 (1.433)	37.5 (1.476)	900
29	35.0 (1.378)	37.66 (1.483)	38.75 (1.526)	900
30	36.25 (1.427)	38.91 (1.532)	40.0 (1.575)	900

MOUNTING LAYOUT
(CONN. MOUNTING SIDE)
t=1.0 - 1.6
(0.039 - 0.063)
BOARD T.H.K. 1.0 - 1.6
(0.039 - 0.063)



RECOMMENDED APPLICABLE FPC LAYOUT



Kind	Tolerance	
	D	E
FFC	±0.03	±0.1
FPC	±0.1	±0.05

HOW TO ORDER

00

6216

0XX

00X

808

Number of Contacts

Variation Code

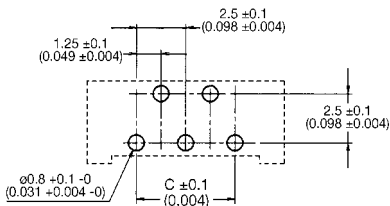
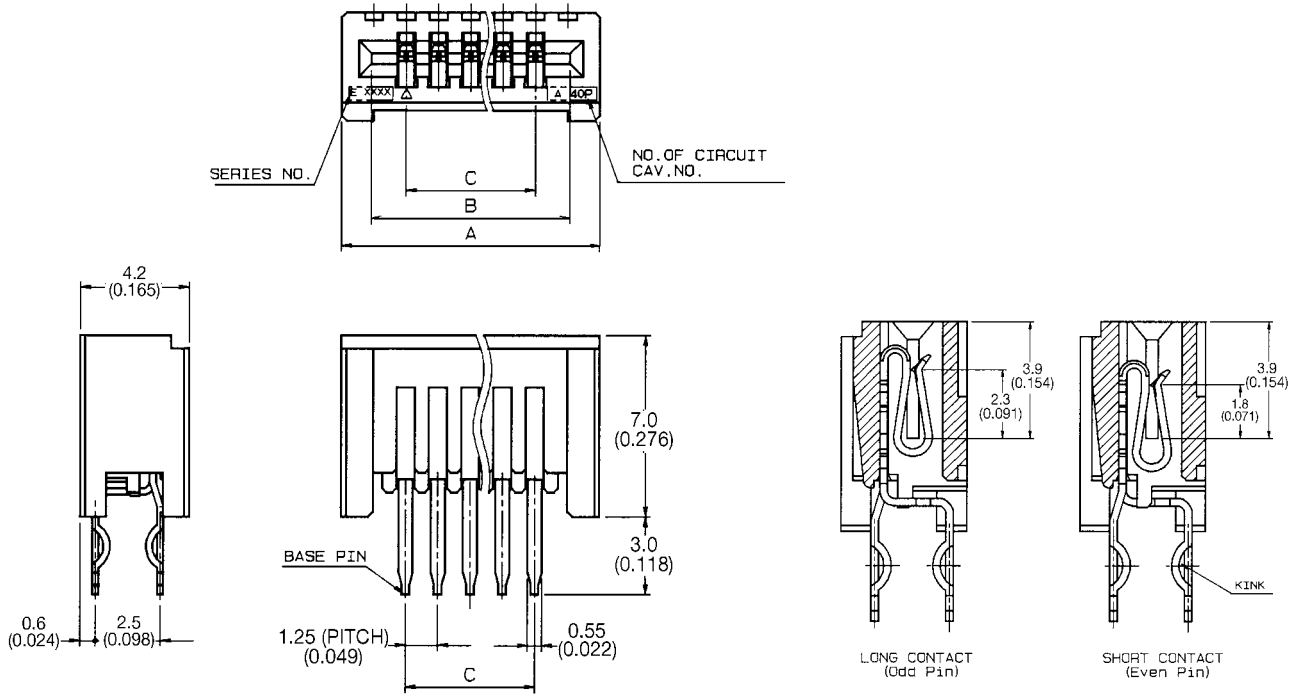
0 = With Kinked Legs
 (Each Two Pins at Both Ends)
 1 = Without Kinked Legs



1.25mm Pitch

Series 6216

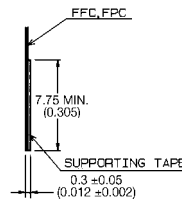
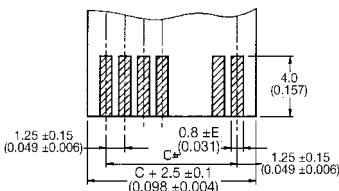
LIF Vertical Through Hole High Pin Count



MOUNTING LAYOUT
(CONN. MOUNTING SIDE)

t = 1.0 - 1.6
(0.039 - 0.063)
BOARD T.H.K. 1.0 - 1.6
(0.039 - 0.063)

RECOMMENDED APPLICABLE FPC LAYOUT



Kind	Tolerance	
	E	F
FFC	±0.03	±0.1
FPC	±0.1	±0.05

No. of Contacts	Dimension			Qty. Per Box
	A	B	C	
31	42.5 (1.673)	40.16 (1.581)	37.5 (1.476)	800
32	43.75 (1.722)	41.41 (1.630)	38.75 (1.526)	800
33	45.0 (1.772)	42.66 (1.680)	40.0 (1.575)	800
34	46.25 (1.821)	43.91 (1.729)	41.25 (1.624)	700
35	47.5 (1.870)	45.16 (1.778)	42.5 (1.673)	700
36	48.75 (1.919)	46.41 (1.827)	43.75 (1.722)	700
37	50.0 (1.968)	47.66 (1.876)	45.0 (1.772)	700
38	51.25 (2.018)	48.91 (1.926)	46.25 (1.821)	700
39	52.5 (2.067)	50.16 (1.975)	47.5 (1.870)	600
40	53.75 (2.116)	51.41 (2.024)	48.75 (1.919)	600

HOW TO ORDER

00

6216

1XX

82X

808

Number of Contacts

Variation Code

0 = With Kinked Legs
(Each Two Pins at Both Ends)
1 = Without Kinked Legs

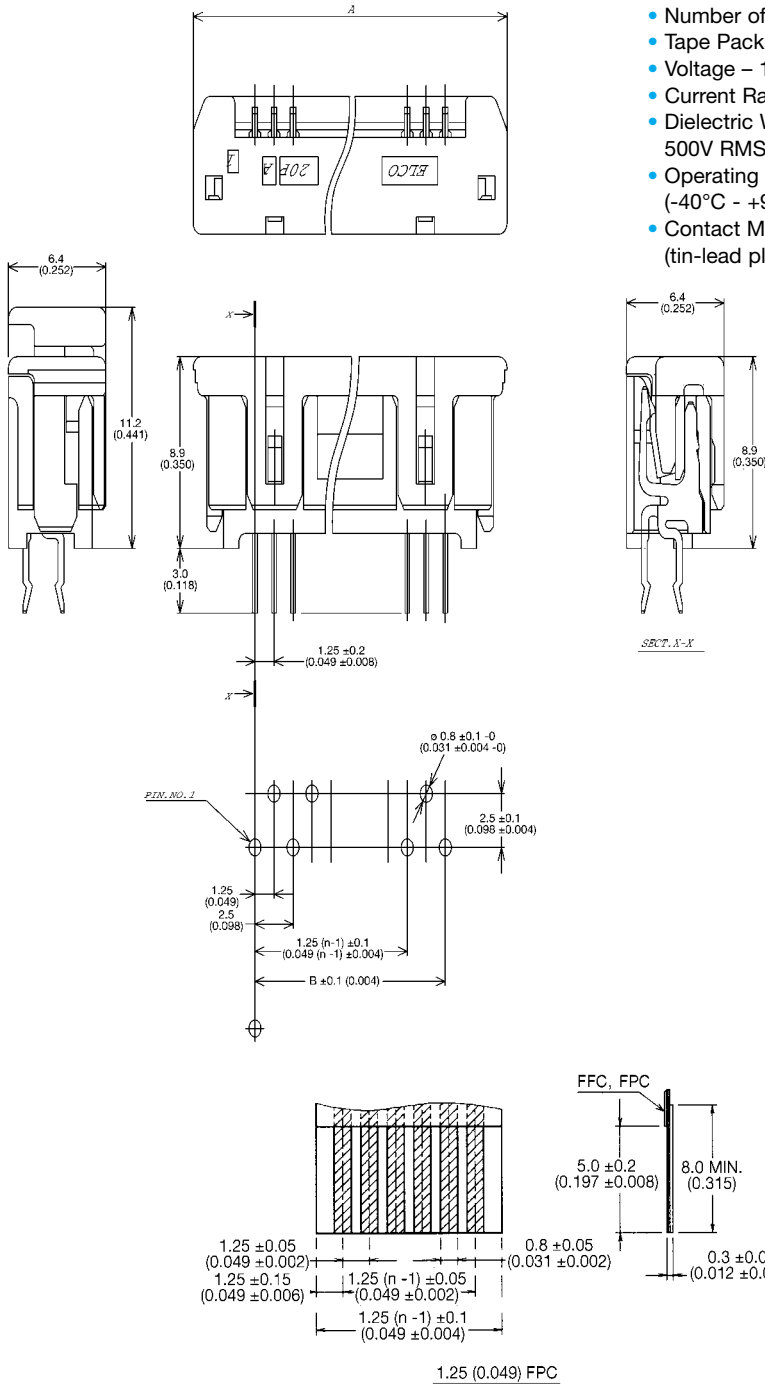
1.25mm Pitch

Series 6205 - ZIF Vertical Through Hole



Specifications

- Number of Contacts – 8-40
- Tape Packaged/Box
- Voltage – 125V
- Current Rating – 1.0 amp max.
- Dielectric Withstanding Voltage – 500V RMS min.
- Operating Temperature – (-40°C - +90°C)
- Contact Material – phosphor bronze (tin-lead plated)
- Insulator Material – glass-filled PBT, (UL 94 V-O) black color
- Slider Material – glass-filled PBT, (UL 94 V-O) beige color
- FFC/FPC Thickness – 0.3 ±0.05 mm (0.012 ±0.002")
- PCB Thickness – 1.60mm (0.063")
- Profile Height – 8.90mm (0.350")



No. of Contacts	Assembly Number			Qty. Per Box
	A	B		
08	00 6205 080 500 825	16.85 (0.663)	8.75 (0.344)	1470
09	090	18.1 (0.713)	10.0 (0.394)	1400
10	100	19.35 (0.762)	11.25 (0.443)	1330
11	110	20.6 (0.811)	12.5 (0.492)	1190
12	120	21.85 (0.860)	13.75 (0.541)	1120
13	130	23.1 (0.909)	15.0 (0.591)	1050
14	140	24.35 (0.959)	16.25 (0.640)	1050
15	150	25.6 (1.008)	17.5 (0.689)	980
16	160	26.85 (1.057)	18.75 (0.738)	910
17	170	28.1 (1.106)	20.0 (0.787)	910
18	180	29.35 (1.156)	21.25 (0.837)	840
19	190	30.6 (1.205)	22.5 (0.886)	840
20	200	31.85 (1.254)	23.75 (0.935)	770
21	210	33.1 (1.303)	25.0 (0.984)	770
22	220	34.35 (1.352)	26.25 (1.033)	700
23	230	35.6 (1.402)	27.5 (1.083)	700
24	240	36.85 (1.451)	28.75 (1.132)	630
25	250	38.1 (1.500)	30.0 (1.181)	630
26	260	39.35 (1.549)	31.25 (1.230)	630
27	270	40.6 (1.598)	32.5 (1.280)	630
28	280	41.85 (1.648)	33.75 (1.329)	560
29	290	43.1 (1.697)	35.0 (1.378)	560
30	300	44.35 (1.746)	36.25 (1.427)	560
31	310	46.6 (1.835)	37.5 (1.476)	490
32	320	47.85 (1.884)	38.75 (1.526)	490
33	330	49.1 (1.933)	40.0 (1.575)	490
34	340	50.35 (1.982)	41.25 (1.624)	490
35	350	51.6 (2.031)	42.5 (1.673)	490
36	360	52.85 (2.081)	43.75 (1.722)	420
37	370	54.1 (2.130)	45.0 (1.772)	420
38	380	55.35 (2.179)	46.25 (1.821)	420
39	390	56.6 (2.228)	47.5 (1.870)	420
40	00 6205 400 500 825	57.85 (2.278)	48.75 (1.919)	420

HOW TO ORDER

00

6205

XX0

500

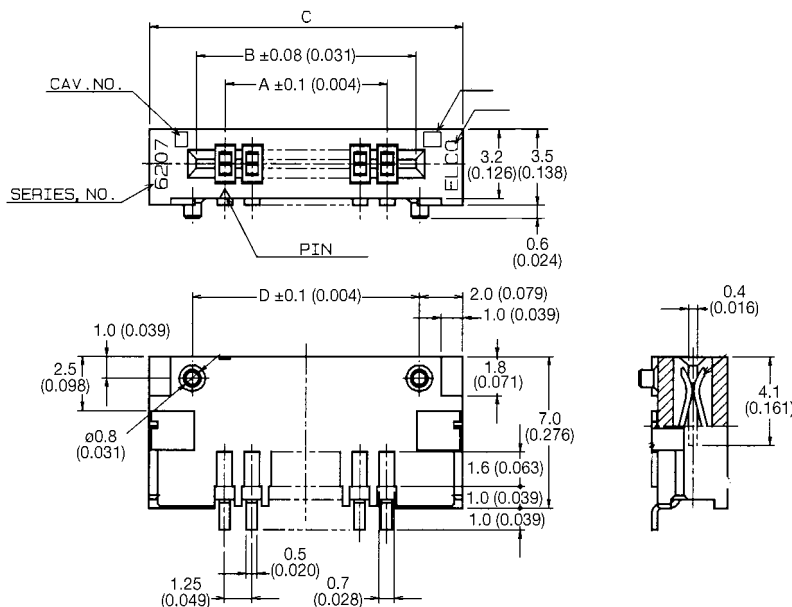
825

Number of Contacts

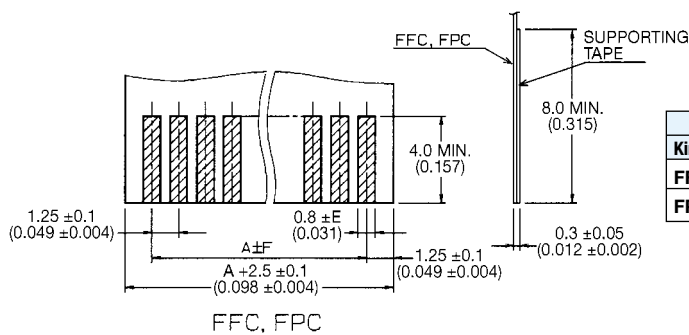


1.25mm Pitch

Series 6207 - LIF Right Angle SMT



MOUNTING LAYOUT



Tolerance		
Kind	E	F
FFC	±0.03	±0.1
FPC	±0.1	±0.05

Specifications

- Number of Contacts – 5-20
- Tube Packaged
- Voltage – 125V
- Current Rating – 1.0 amp max.
- Dielectric Withstanding Voltage – 500V RMS min.
- Operating Temperature – (-20°C - +85°C)
- Contact Material – phosphor bronze (tin-lead plated)
- Insulator Material – glass-filled PPS, (UL 94 V-O) brown color
- FFC/FPC Thickness – 0.3 ±0.05mm (0.012 ±0.002")
- Height – 7.0mm (0.276") vertical, 3.5mm (0.138") right angle

No. of Contacts	Dimension				Qty. Per Tube
	A	B	C	D	
05	5.0 (0.197)	7.66 (0.302)	12.0 (0.472)	8.0 (0.315)	40
06	6.25 (0.246)	8.91 (0.351)	13.25 (0.522)	9.25 (0.364)	36
07	7.5 (0.295)	10.16 (0.400)	14.5 (0.571)	10.5 (0.413)	33
08	8.75 (0.344)	11.41 (0.449)	15.75 (0.620)	11.75 (0.463)	31
09	10.0 (0.394)	12.66 (0.498)	17.0 (0.669)	13.0 (0.512)	28
10	11.25 (0.443)	13.91 (0.548)	18.25 (0.719)	14.25 (0.561)	26
11	12.5 (0.492)	15.16 (0.597)	19.5 (0.768)	15.5 (0.610)	25
12	13.75 (0.541)	16.41 (0.646)	20.75 (0.817)	16.75 (0.659)	23
13	15.0 (0.591)	17.66 (0.695)	22.0 (0.866)	18.0 (0.709)	22
14	16.25 (0.640)	18.91 (0.744)	23.25 (0.915)	19.25 (0.758)	21
15	17.5 (0.689)	20.16 (0.794)	24.5 (0.965)	20.5 (0.807)	20
16	18.75 (0.738)	21.41 (0.843)	25.75 (1.014)	21.75 (0.856)	19
17	20.0 (0.787)	22.66 (0.892)	27.0 (1.063)	23.0 (0.906)	18
18	21.25 (0.837)	23.91 (0.941)	28.25 (1.112)	24.25 (0.955)	17
19	22.5 (0.886)	25.16 (0.991)	29.5 (1.161)	25.5 (1.004)	16
20	23.75 (0.935)	26.41 (1.040)	30.75 (1.211)	26.75 (1.053)	15

HOW TO ORDER

00

6207

3419

XX

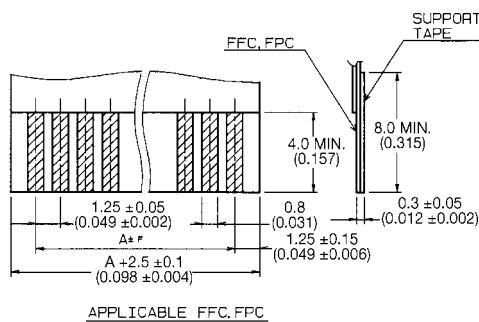
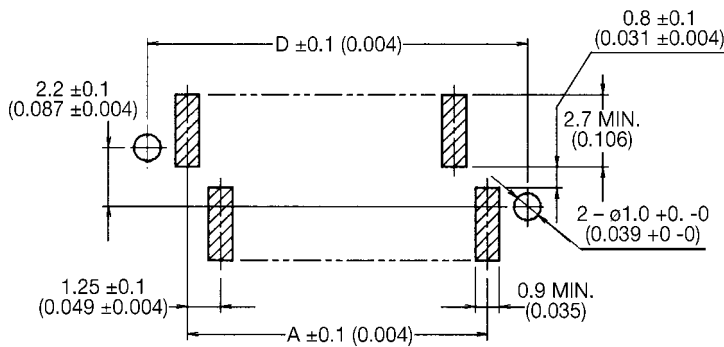
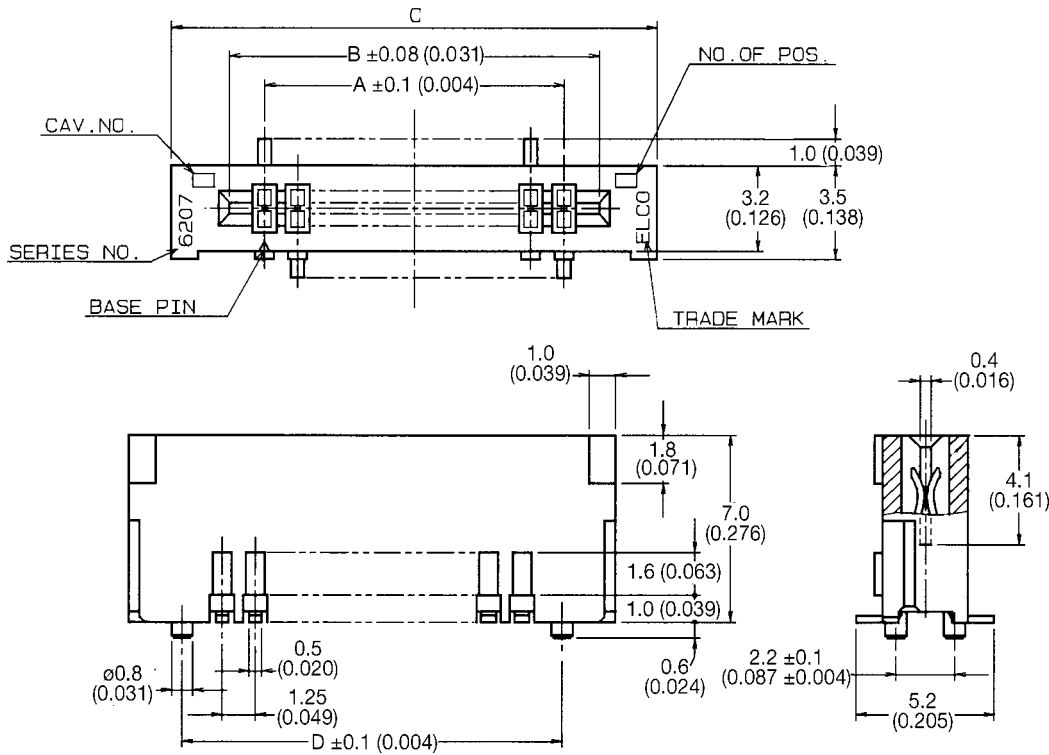
000

Number of Contacts

Some sizes are available in tape and reel, contact sales office for details

1.25mm Pitch

Series 6207 - LIF Vertical SMT



Tolerance		
Kind	E	F
FFC	±0.03	±0.1
FPC	±0.1	±0.05

No. of Contacts	Dimension				Qty. Per Tube
	A	B	C	D	
05	5.0 (0.197)	7.66 (0.302)	12.0 (0.472)	8.0 (0.315)	40
	6.25 (0.246)	8.91 (0.351)	13.25 (0.522)	9.25 (0.364)	
06	7.5 (0.295)	10.16 (0.400)	14.5 (0.571)	10.5 (0.413)	33
	8.75 (0.344)	11.41 (0.449)	15.75 (0.620)	11.75 (0.463)	
07	10.0 (0.394)	12.66 (0.498)	17.0 (0.669)	13.0 (0.512)	28
	11.25 (0.443)	13.91 (0.548)	18.25 (0.719)	14.25 (0.561)	
08	12.5 (0.492)	15.16 (0.597)	19.5 (0.768)	15.5 (0.610)	25
	13.75 (0.541)	16.41 (0.646)	20.75 (0.817)	16.75 (0.659)	
09	15.0 (0.591)	17.66 (0.695)	22.0 (0.866)	18.0 (0.709)	22
	16.25 (0.640)	18.91 (0.744)	23.25 (0.915)	19.25 (0.758)	
10	17.5 (0.689)	20.16 (0.794)	24.5 (0.965)	20.5 (0.807)	20
	18.75 (0.738)	21.41 (0.843)	25.75 (1.014)	21.75 (0.856)	
11	20.0 (0.787)	22.66 (0.892)	27.0 (1.063)	23.0 (0.906)	18
	21.25 (0.837)	23.91 (0.941)	28.25 (1.112)	24.25 (0.955)	
12	22.5 (0.886)	25.16 (0.991)	29.5 (1.161)	25.5 (1.004)	17
	23.75 (0.935)	26.41 (1.040)	30.75 (1.211)	26.75 (1.053)	

HOW TO ORDER

00

6207

3329

XX

000

Number of Contacts

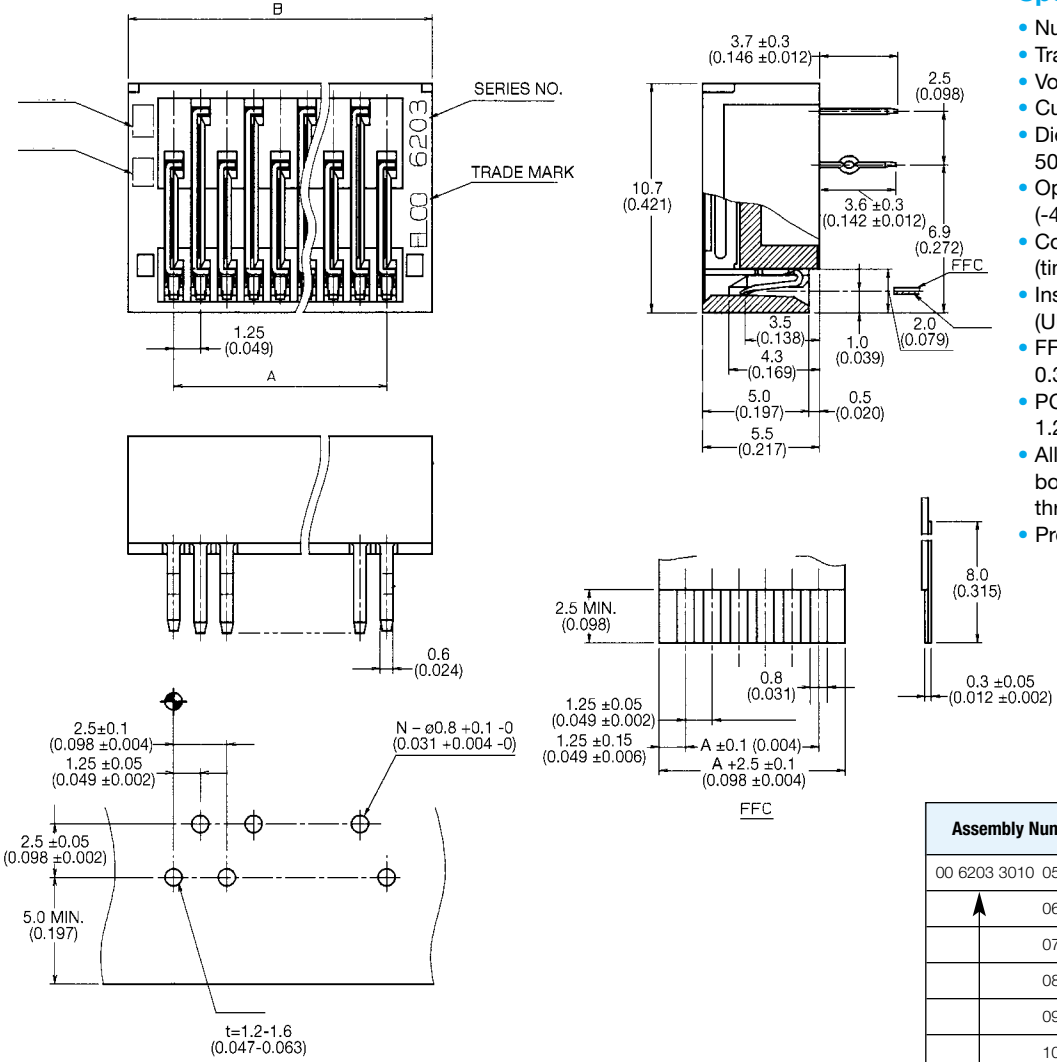
1.25mm Pitch

Series 6203

LIF Right Angle Through Hole (Bottom Entry Type)

Specifications

- Number of Contacts – 5-15
- Tray Packaged/Box
- Voltage – 125V
- Current Rating – 1.0 amp max.
- Dielectric Withstanding Voltage – 500V RMS min.
- Operating Temperature – (-40°C - +85°C)
- Contact Material – phosphor bronze (tin-lead plated)
- Insulator Material – glass-filled nylon (UL 94 V-0)
- FFC/FPC Thickness – 0.3 ±0.05mm (0.012 ±0.002")
- PCB Thickness – 1.20-1.60mm (0.047-0.063")
- Allows insertion of FFC/FPC from bottom of PC board, at edge or through slit
- Profile Height – 5.50mm (0.217")



Assembly Number	No. of Contacts	A	B	Qty. Per Box
00 6203 3010 05 000	05	5.0 (0.197)	9.28 (0.365)	2960
↑	↑	6.25 (0.246)	10.53 (0.415)	2640
↑	↑	7.5 (0.295)	11.78 (0.464)	2320
↑	↑	8.75 (0.344)	13.03 (0.513)	2080
↑	↑	10.0 (0.394)	14.28 (0.562)	1920
↑	↑	11.25 (0.443)	15.53 (0.611)	1760
↑	↑	12.5 (0.492)	16.78 (0.661)	1600
↑	↑	13.75 (0.541)	18.03 (0.710)	1520
↑	↑	15.0 (0.591)	19.28 (0.759)	1440
↓	↓	16.25 (0.640)	20.53 (0.808)	1360
↓	↓	17.5 (0.689)	21.78 (0.857)	1280

HOW TO ORDER

00

6203

3010

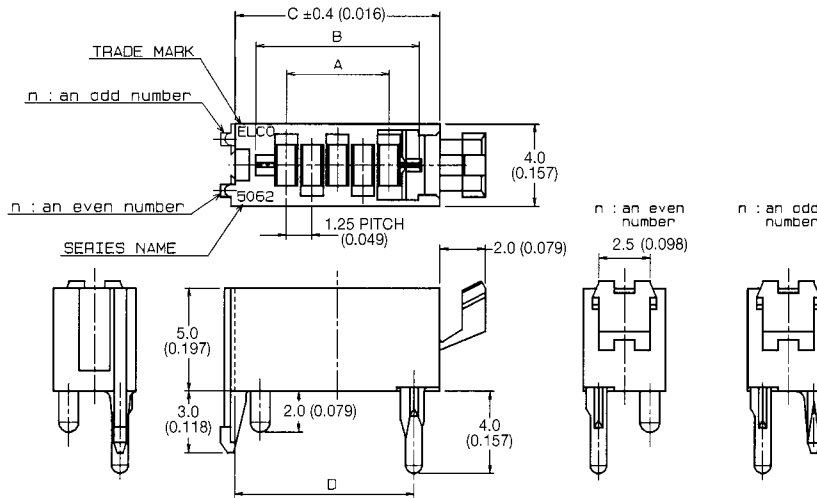
XX

000

Number of Contacts

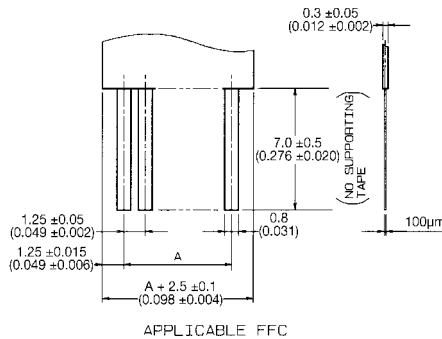
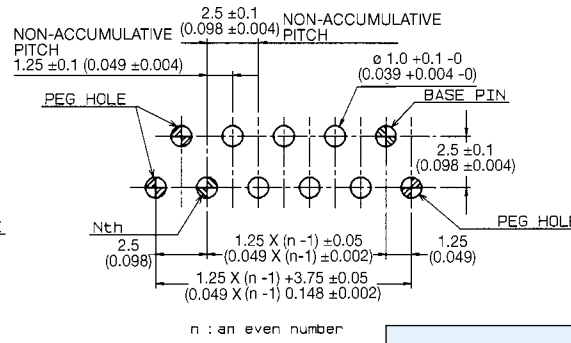
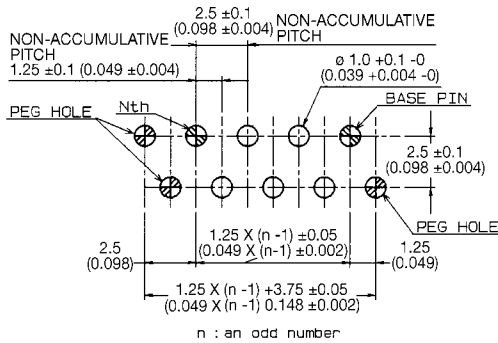
1.25mm Pitch

Series 5062 - Vertical Direct Type



Specifications

- Number of Contacts – 5-23
- Vinyl Bag Packaged
- Voltage – 125V
- Current Rating – 1.0 amp max.
- Dielectric Withstanding Voltage – 500V RMS min.
- Operating Temperature – (-40°C - +85°C)
- Insulator Material – PBT, natural color (UL 94 V-O)
- FFC/FPC Thickness – 0.3 ±0.05mm (0.012 ±0.002")
- PCB Thickness – 1.6mm (0.063")
- Profile Height – 5.0mm (0.197")



Assembly Number	No. of Contacts	A	B	C	D
00 5062 30 10 05 000	05	5.0 (0.197)	7.98 (0.314)	10.0 (0.394)	8.75 (0.344)
↑	↑	6.25 (0.246)	9.23 (0.363)	11.25 (0.443)	10.0 (0.394)
07	07	7.5 (0.295)	10.48 (0.413)	12.5 (0.492)	11.25 (0.443)
08	08	8.75 (0.344)	11.73 (0.462)	13.75 (0.541)	12.5 (0.492)
09	09	10.0 (0.394)	12.98 (0.511)	15.0 (0.591)	13.75 (0.541)
10	10	11.25 (0.443)	14.23 (0.560)	16.25 (0.640)	15.0 (0.591)
11	11	12.5 (0.492)	15.48 (0.609)	17.5 (0.689)	16.25 (0.640)
12	12	13.75 (0.541)	16.73 (0.659)	18.75 (0.738)	17.5 (0.689)
13	13	15.0 (0.591)	17.98 (0.708)	20.0 (0.787)	18.75 (0.738)
14	14	16.25 (0.640)	19.23 (0.757)	21.25 (0.837)	20.0 (0.787)
15	15	17.5 (0.689)	20.48 (0.806)	22.5 (0.886)	21.25 (0.837)
16	16	18.75 (0.738)	21.73 (0.856)	23.75 (0.935)	22.5 (0.886)
17	17	20.0 (0.787)	22.98 (0.905)	25.0 (0.984)	23.75 (0.935)
18	18	21.25 (0.837)	24.23 (0.954)	26.25 (1.033)	25.0 (0.984)
19	19	22.5 (0.886)	25.48 (1.003)	27.5 (1.083)	26.25 (1.033)
20	20	23.75 (0.935)	26.73 (1.052)	28.75 (1.132)	27.5 (1.083)
21	21	25.0 (0.984)	27.98 (1.102)	30.0 (1.181)	28.75 (1.132)
↓	↓	26.25 (1.033)	29.23 (1.151)	31.25 (1.230)	30.0 (1.181)
00 5062 30 10 23 000	23	27.5 (1.083)	30.48 (1.200)	32.5 (1.280)	31.25 (1.230)

HOW TO ORDER

00

5062

30

10

XX

000

Number of Contacts

Supplied in packs of 1000.



Need Additional Information on AVX Products

Internet –

For more information visit us on the worldwide web at <http://www.avxcorp.com>

FAX Back Service –

Just dial 1-800-700-2860 and request the index for additional catalog information faxed to your FAX number.

CD ROM –

Or get in touch with your AVX representative for a CD Rom or copies of the catalogs and technical papers.

Software –

Comprehensive capacitor application software library which includes:

- SpiCap (for MLC chip capacitors)
- SpiTan (for tantalum capacitors)
- SpiCalci (for power supply capacitors)
- SpiMic (for RF-Microwave capacitors)

AVX Products

PASSIVES

Capacitors

- Multilayer Ceramic
- Tantalum
- Microwave
- Glass
- Film
- Power Film
- Power Ceramic
- Ceramic Disc
- Trimmers

Resistors

- Chip
- Networks/Arrays
- Potentiometers

Timing Devices

- Resonators
- Oscillators
- Crystal

Filters

- EMI
- Bulk
- Saw
- Dielectric

Thin Film

- Inductors
- Fuses
- Capacitors

Integrated Passive

- Components**
- Low Inductance Chip Arrays
- “Z” Chips
- Capacitor Arrays
- Dual Resonance Chips

Voltage Suppressor, Varistors and Thermistors

Acoustical Piezos

Ferrites

CONNECTORS

- 2mm Hard-Metric for CompactPCI®
- Automotive Connectors
- Board to Board Connectors – SMT and Through-Hole
- Card Edge
- Compact Flash
- Custom Designed Connectors
- Customized Backpanel, Racking and Harnessing Services
- DIN 41612 Connectors
- FFC/FPC Connectors
- Insulation Displacement Connectors
- I/O Connectors
- Memory Card Headers and Sockets
- MOBO™, I/O, Board to Board and Battery Connectors
- PCMCIA
- Press-fit Connectors
- Torson, 1.27mm (.050") Board to Board Connectors
- Varicon®
- Wire to Board, Crimp or IDC

NOTICE: Specifications are subject to change without notice. Contact your nearest AVX Sales Office for the latest specifications. All statements, information and data given herein are believed to be accurate and reliable, but are presented without guarantee, warranty, or responsibility of any kind, expressed or implied. Statements or suggestions concerning possible use of our products are made without representation or warranty that any such use is free of patent infringement and are not recommendations to infringe any patent. The user should not assume that all safety measures are indicated or that other measures may not be required. Specifications are typical and may not apply to all applications.

USA

AVX Myrtle Beach, SC Corporate Offices

Tel: 843-448-9411
FAX: 843-626-5292

AVX Northwest, WA

Tel: 360-669-8746
FAX: 360-699-8751

AVX North Central, IN

Tel: 317-848-7153
FAX: 317-844-9314

AVX Mid/Pacific, MN

Tel: 952-974-9155
FAX: 952-974-9179

AVX Southwest, AZ

Tel: 480-539-1496
FAX: 480-539-1501

AVX South Central, TX

Tel: 972-669-1223
FAX: 972-669-2090

AVX Southeast, NC

Tel: 919-878-6357
FAX: 919-878-6462

AVX Canada

Tel: 905-564-8959
FAX: 905-564-9728

EUROPE

AVX Limited, England European Headquarters

Tel: ++44 (0)1638 675000
FAX: ++44 (0)1638 675001

AVX S.A., France

Tel: ++33 (1) 69.18.46.00
FAX: ++33 (1) 69.28.73.87

AVX GmbH, Germany - AVX

Tel: ++49 (0) 8131 9004-0
FAX: ++49 (0) 8131 9004-44

AVX GmbH, Germany - Elco

Tel: ++49 (0) 2741 2990
FAX: ++49 (0) 2741 299133

AVX srl, Italy

Tel: ++390 (0)2 614571
FAX: ++390 (0)2 614 2576

AVX Czech Republic, s.r.o.

Tel: ++420 (0)467 558340
FAX: ++420 (0)467 558345

ASIA-PACIFIC

AVX/Kyocera, Singapore Asia-Pacific Headquarters

Tel: (65) 258-2833
FAX: (65) 350-4880

AVX/Kyocera, Hong Kong

Tel: (852) 2-363-3303
FAX: (852) 2-765-8185

AVX/Kyocera, Korea

Tel: (82) 2-785-6504
FAX: (82) 2-784-5411

AVX/Kyocera, Taiwan

Tel: (886) 2-2696-4636
FAX: (886) 2-2696-4237

AVX/Kyocera, China

Tel: (86) 21-6249-0314-16
FAX: (86) 21-6249-0313

AVX/Kyocera, Malaysia

Tel: (60) 4-228-1190
FAX: (60) 4-228-1196

Elco, Japan

Tel: 045-943-2906/7
FAX: 045-943-2910

Kyocera, Japan - AVX

Tel: (81) 75-604-3426
FAX: (81) 75-604-3425

Kyocera, Japan - KDP

Tel: (81) 75-604-3424
FAX: (81) 75-604-3425

Contact:

