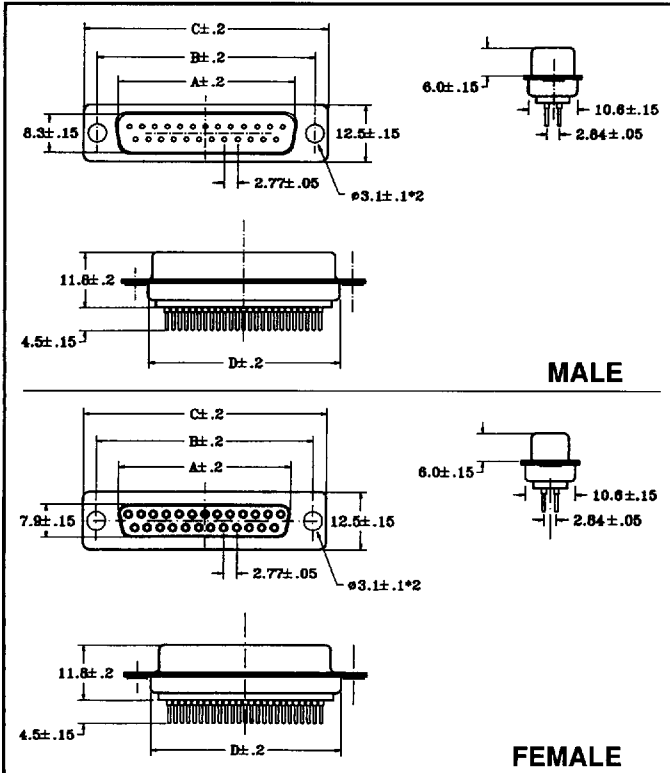


# D-SUBMINIATURE CONNECTOR SOLDER TAIL (MACHINED)



## FEATURES AND OPTIONS

- Available in 9, 15, 25, 37 and 50 positions
- Male and female versions
- Available with hardware options such as threaded inserts and hex stand-offs

## SPECIFICATIONS

### MATERIALS

- Shell: Tin plated steel
- Insulator: PBT thermo plastic, black color, 30% glass filled self-extinguishing, UL94V-0 rated
- Contact material: Pin: Brass  
Socket: Phosphor Bronze
- Contact plating: Gold over nickel

### ELECTRICAL

- Current rating: 5.0 Amps
- Dielectric strength: 1000Vac min.
- Insulation resistance: 5000M ohm min.
- Operating temperature range: -55°C ~ to +125°C

## DIMENSIONS

### MALE

# of pins	A	B	C	D
9	16.92 .666	25.00 .984	30.80 1.21	19.20 .756
15	25.25 .994	33.30 1.31	39.20 1.54	27.70 1.09
25	38.96 1.53	47.10 1.85	53.10 2.09	41.10 1.62
37	55.42 2.18	63.50 2.50	69.40 2.73	57.30 2.26
50	52.81 2.08	61.00 2.40	67.00 2.63	55.10 2.17

### FEMALE

9	16.30 .642	25.00 .984	30.80 1.21	19.20 .756
15	24.60 .969	33.30 1.31	39.20 1.54	27.70 1.09
25	38.30 1.51	47.10 1.85	53.10 2.09	41.10 1.62
37	54.80 2.16	63.50 2.50	69.40 2.73	57.30 2.26
50	52.20 2.06	61.00 2.40	67.00 2.63	55.10 2.17

## HOW TO ORDER

### A-DXXXPP-TXXM-B

- S = Hex stand-offs
- X = Omit if not required
- A = 4-40 threaded inserts
- X = Omit if not required
- XX = Number of contacts
- Use S for male connector
- Use F for female connector