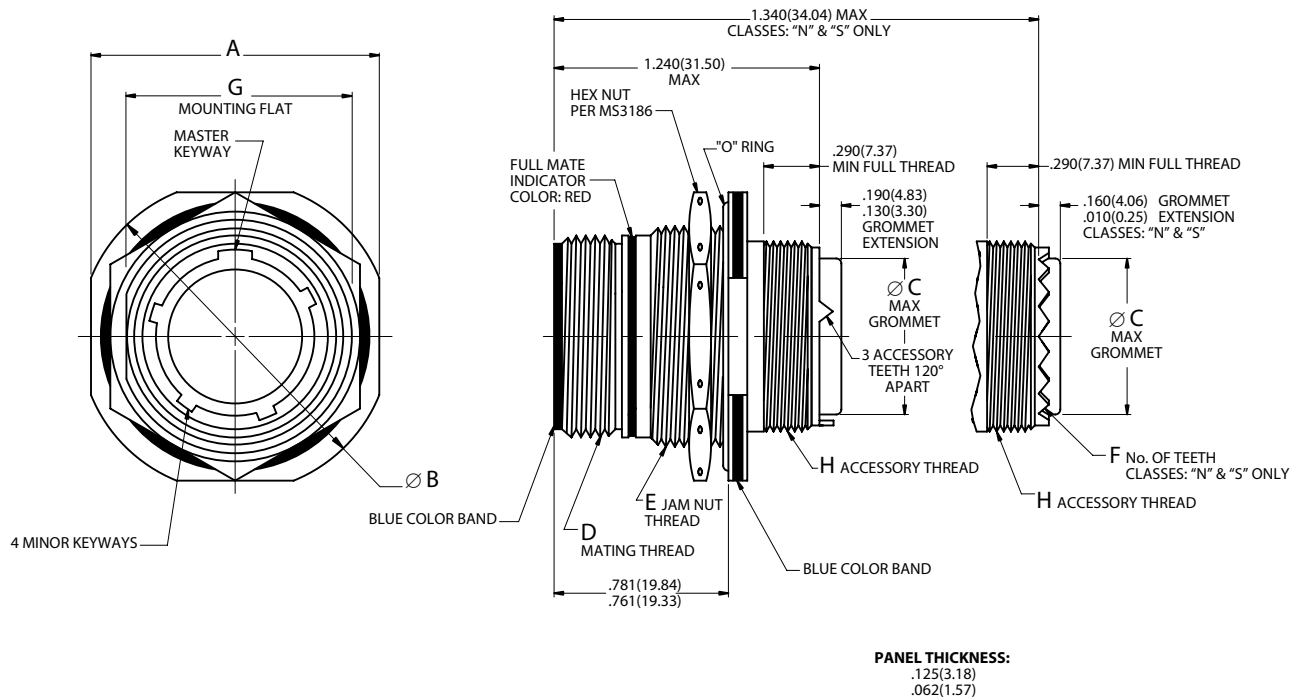


Threaded Coupling, Crimp Removable, Rear Release



PANEL THICKNESS:
 .125(3.18)
 .062(1.57)

- Page 129 Completed Part Number
- Page 145 Contacts, Sealing Plugs and Tools
- Pages 148,149 Insert Arrangements
- Page 128 Performance Specifications
- Page 147 Insert Availability and Contact Information
- Page 143 Polarization

| Shell Size | A | | Ø B | | Ø C | | D | E | F | G | | H |
|------------|--------|--------------|--------|--------------|---------|------------------------|-------------------------|--------------|-------|-------|---------------------------|---------------|
| | +0.016 | +0.41 | +0.016 | +0.41 | Maximum | Mating Thread Class 2A | Jam Nut Thread Class 2A | No. of Teeth | ±.003 | ±.08 | Accessory Thread Class 2A | |
| | -.015 | -0.38 | -.015 | -0.38 | | | | | | | | inch |
| 8 | .964 | 24.49 | 1.062 | 26.97 | .305 | 7.75 | 9/16-24UNEF | 5/8-20UN | 12 | .593 | 15.06 | 1/2-20UNF |
| 10 | 1.088 | 27.64 | 1.176 | 29.87 | .405 | 10.29 | 11/16-24UNEF | 3/4-20UNEF | 15 | .718 | 18.24 | 5/8-24UNEF |
| 12 | 1.275 | 32.39 | 1.364 | 34.65 | .531 | 13.49 | 7/8-20UNEF | 15/16-20UNEF | 21 | .905 | 22.99 | 3/4-20UNEF |
| 14 | 1.375 | 34.93 | 1.545 | 39.24 | .665 | 16.89 | 15/16-20UNEF | 1-20UNEF | 24 | .968 | 24.59 | 7/8-20UNEF |
| 16 | 1.500 | 38.10 | 1.625 | 41.28 | .790 | 20.07 | 1-1/16-18UNEF | 1-1/8-18UNEF | 30 | 1.093 | 27.76 | 1-20UNEF |
| 18 | 1.625 | 41.28 | 1.750 | 44.45 | .869 | 22.07 | 1-3/16-18UNEF | 1-1/4-18UNEF | 33 | 1.217 | 30.91 | 1-1/16-18UNEF |
| 20 | 1.750 | 44.45 | 1.938 | 49.23 | .994 | 25.25 | 1-5/16-18UNEF | 1-3/8-18UNEF | 36 | 1.342 | 34.09 | 1-3/16-18UNEF |
| 22 | 1.938 | 49.23 | 2.062 | 52.37 | 1.119 | 28.42 | 1-7/16-18UNEF | 1-1/2-18UNEF | 39 | 1.467 | 37.26 | 1-5/16-18UNEF |
| 24 | 2.063 | 52.40 | 2.166 | 55.02 | 1.244 | 31.60 | 1-9/16-18UNEF | 1-5/8-18UNEF | 42 | 1.592 | 40.44 | 1-7/16-18UNEF |
| 28 | 2.314 | 58.78 | 2.428 | 61.67 | 1.475 | 37.47 | 1-13/16-16UN | 1-7/8-20UN | 54 | 1.840 | 46.74 | 1-3/4-18UNS |