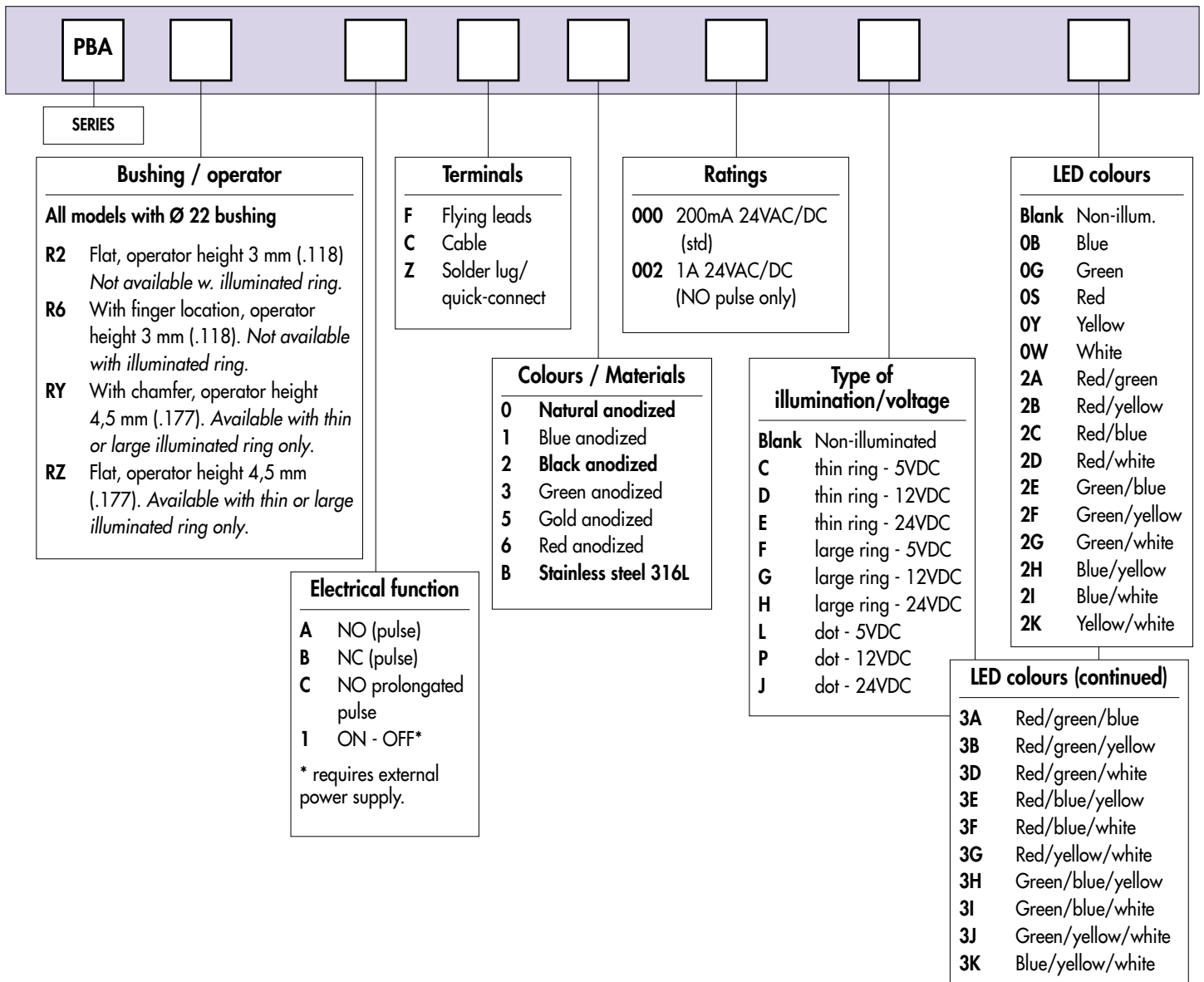


PBA series

Piezo switches Ø 22 (.866)

Overview



For options not listed above, please refer to our "Custom configurations" pages.



NOTICE : please note that not all combinations of above numbers are available. Refer to the following pages for further information.



Mounting accessories : standard hardware supplied : 1 hex nut U6440 (25 mm ac. flats) and 1 O-ring

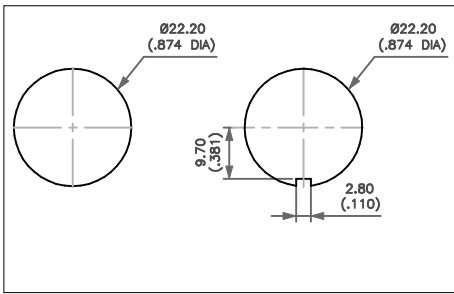


Packaging unit : 20 pieces

PBA series

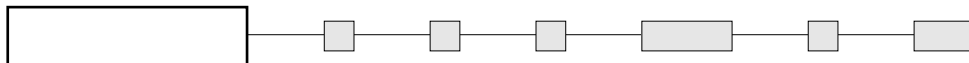
Piezo switches Ø 22 (.866)

Illuminated and non-illuminated



- Operator Ø 28 mm (1.102)

MODEL
STRUCTURE



Wire colours : see "Electrical functions" page.

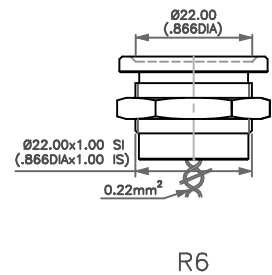
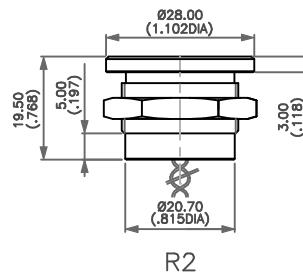
Non-illuminated - operator height 3 mm (.118)



Flat
PBAR2

With finger location
PBAR6

PBAR2AF6000



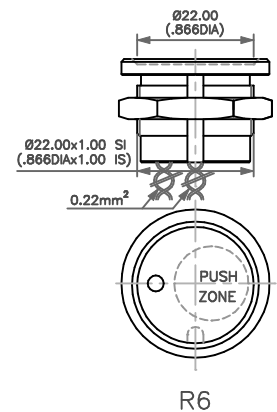
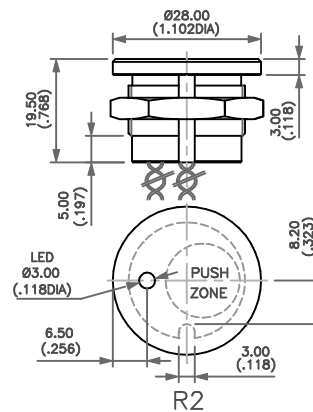
With illuminated dot - operator height 3 mm (.118)



Flat
PBAR2

With finger location
PBAR6

PBAR6AF6000LOG



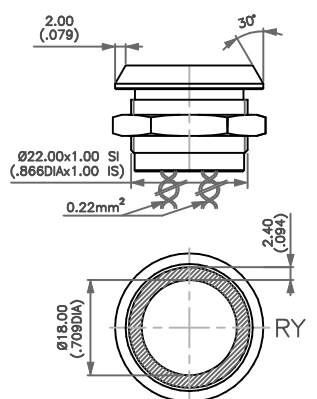
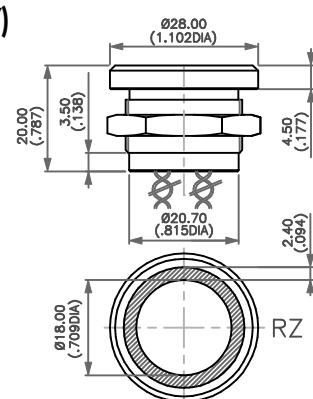
With thin illuminated ring - operator height 4,50 (.177)



Flat
PBARZ

With chamfer
PBAR Y

PBARYAF0000COB



PBA series

Piezo switches

Illuminated and non-illuminated

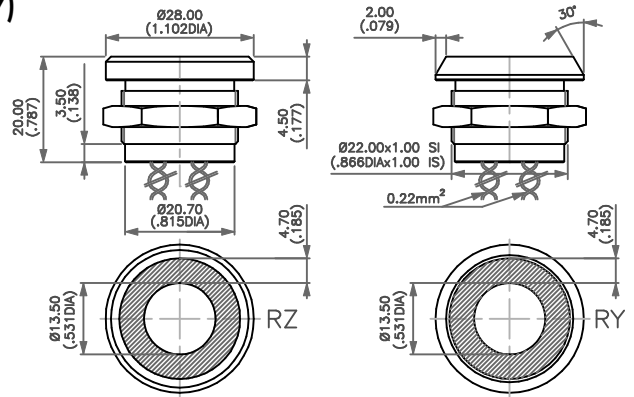
With large illuminated ring - operator height 4,50 (.177)



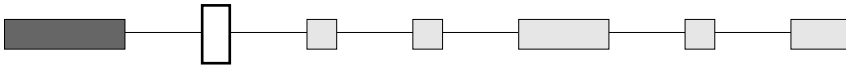
PBARYAF0000FOB

Flat
PBARZ

With chamfer
PBARY

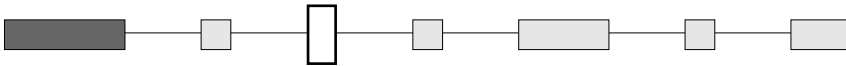


ELECTRICAL FUNCTION

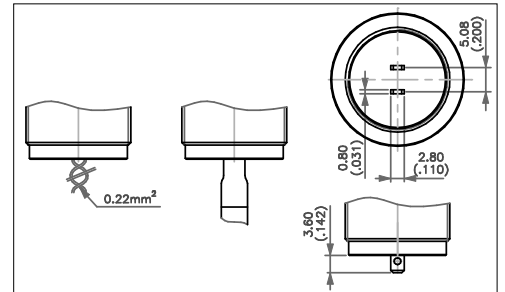


- A NO pulse
- B NC pulse
- C NO prolonged pulse
- I ON - OFF - Requires external power supply

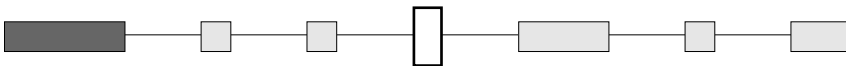
TERMINALS



- F Flying leads
- C Cable
- Z Solder lug / quick-connect



CASE COLOURS / MATERIALS



Code	Colour
0	Natural anodized aluminium
1	Blue anodized aluminium
2	Black anodised aluminium

Code	Colour
3	Green anodized aluminium
5	Gold anodized aluminium
6	Red anodised aluminium

Code	Colour
B	Stainless steel 316L



0

1

2

3

5

6

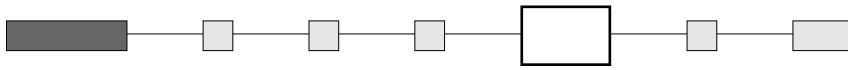
B

PBA series

Piezo switches Ø 22 (.866)

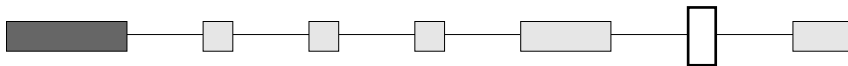
Options

RATINGS



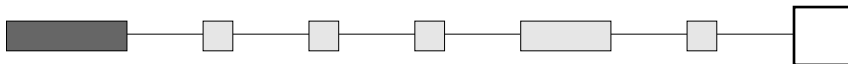
000 200mA 24VAC or DC (standard)
002 1A 24VAC or DC (NO pulse only)

TYPE OF ILLUMINATION / VOLTAGE



	5V	12V	24V
	C	D	E
	F	G	H
	L	P	J

LED COLOURS



Integrated LED resistor

Blank : non-illuminated



OB

OG

OS

OY

OW

Illuminated 1 LED *

OB : blue - **OG** : green - **OS** : red - **OY** : yellow - **OW** : white

Illuminated 2 LEDs

2A : red/green - **2B** : red/yellow - **2C** : red/blue - **2D** : red/white - **2E** : green/blue - **2F** : green/yellow - **2G** : green/white
2H : blue/yellow - **2I** : blue/white - **2K** : yellow/white

Illuminated 3 LEDs

3A : red/green/blue - **3B** : red/green/yellow - **3D** : red/green/white - **3E** : red/blue/yellow - **3F** : red/blue/white
3G : red/yellow/white - **3H** : green/blue/yellow - **3I** : green/blue/white - **3J** : green/yellow/white - **3K** : blue/yellow/white

* LED colour is indicated by the bottom of the product.