

# 10600 series

Professional toggle switches - threaded bushing Ø 10 (.393)

*Distinctive features and specifications*

UG1410A



☐ CECC approved

## ELECTRICAL SPECIFICATIONS

- Max. current/voltage rating with resistive load :  
2A 220VAC - 3A 110VAC - 3A 24VDC
- Minimum load : 100µA 10mV
- Initial contact resistance : 10 mΩ max.
- Insulation resistance : 1.000 MΩ min. at 500VDC
- Dielectric strength :  
1.000 Vrms 50 Hz min. between terminals of the same pole  
2.000 Vrms 50 Hz min. between terminals and frame  
2.000 Vrms 50 Hz min. between terminals of adjacent poles
- Electrical life : 50.000 cycles

## MATERIALS

- Case : diallylphthalate (DAP) or high temperature plastic material (UL94-V0)
- Actuator : brass, nickel plated
- Bushing : brass, nickel plated
- Housing : stainless steel
- Contacts :
  - silver
  - silver, gold plated
- Terminal seal : epoxy

## HOMOLOGATION



CECC 96201-007

**Availability** : consult factory for details of approved models.

**Marking** : to order switches marked CECC, add "CECC" to model number.

## GENERAL SPECIFICATIONS

- Torque : 1,50 Nm (1.106 Ft.lb) max. applied to nut
- Max. panel thickness :  
4 mm (.157)
- Operating temperature :  
-40°C to +85°C

## ABOUT THIS SERIES

Complete part numbers are shown on the following pages.

**Dimensions** : first dimensions are in mm while inches are shown as bracketed numbers.



**Sealing boots** are available to protect the switches against dust and water. They are presented in section H.



**Mounting accessories** : standard hardware supplied with all models : 1 knurled cap nut, 1 hex nut, 1 locking ring and 1 lockwasher. They are presented in section I.



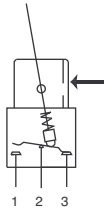
**Packaging unit** : 25 pieces.

The company reserves the right to change specifications without notice.

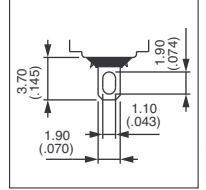
# 10600 series

Professional toggle switches - threaded bushing Ø 10 (.393)

→ Keyway



- Solder lug terminals
- 2 and 3 positions
- 1 and 2 pole configurations
- Available with matt black finish : consult factory for model number



## 2 positions - single pole

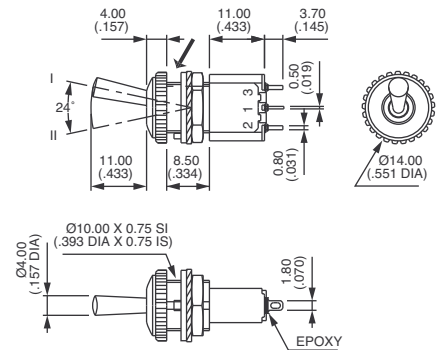
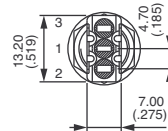


Silver contacts  
**106362103**  
**106322103**

Gold plated silver contacts  
**106361175**  
**106321175**

	II	I
	1-3	1-2
	ON -	ON
	ON -	MOM
	ON -	ON
	ON -	MOM

→ Keyway



## 2 positions - double pole

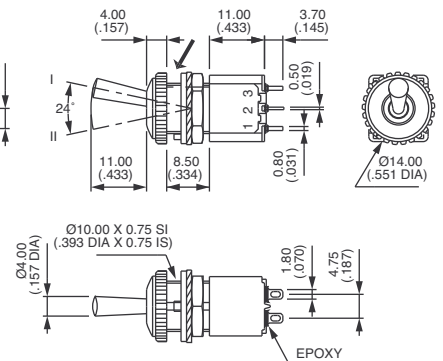
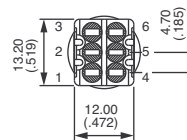


Silver contacts  
**106462103**  
**106422103**

Gold plated silver contacts  
**106461175**  
**106421175**

	II	I
	2-3	2-1
	5-6	5-4
	ON -	ON
	ON -	MOM
	ON -	ON
	ON -	MOM

→ Keyway



## 3 positions - single pole

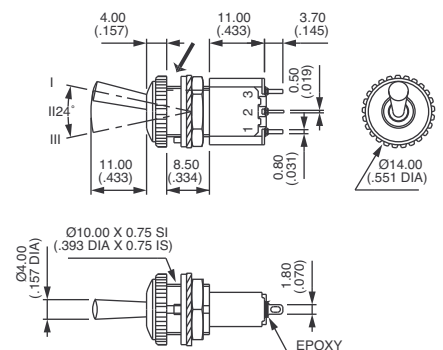
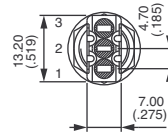


Silver contacts  
**106392103**  
**106372103**  
**106382103**

Gold plated silver contacts  
**106391175**  
**106371175**  
**106381175**

	III	II	I
	2-3		2-1
	ON	OFF	ON
	MOM	OFF	MOM
	ON	OFF	MOM
	ON	OFF	ON
	MOM	OFF	MOM
	ON	OFF	MOM

→ Keyway



# 10600 series

Professional toggle switches - threaded bushing  $\varnothing 10 (.393)$

## 3 positions - double pole

III	II	I	
2-3		2-1	→ Keyway
5-6		5-4	



Silver contacts

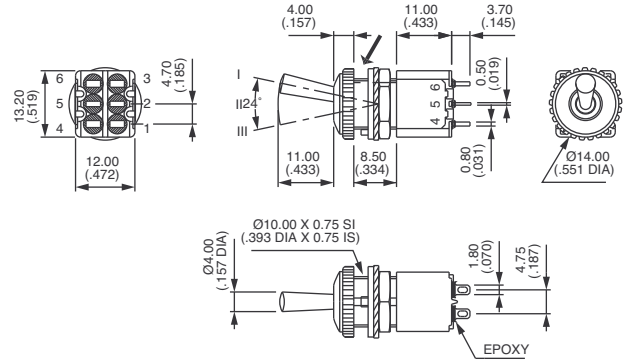
<b>106492103</b>	ON	OFF	ON
<b>106472103</b>	MOM	OFF	MOM
<b>106482103</b>	ON	OFF	MOM

<b>106440886*</b>	ON	ON	ON
		(2-3)	
		(5-4)	

Gold plated silver contacts

<b>106491175</b>	ON	OFF	ON
<b>106471175</b>	MOM	OFF	MOM
<b>106481175</b>	ON	OFF	MOM

<b>106440944*</b>	ON	ON	ON
		(2-3)	
		(5-4)	



\* Function 4 : SP in DP case. Jumper between terminals 2 and 4 to be wired by the user.

### PANEL CUT-OUT

