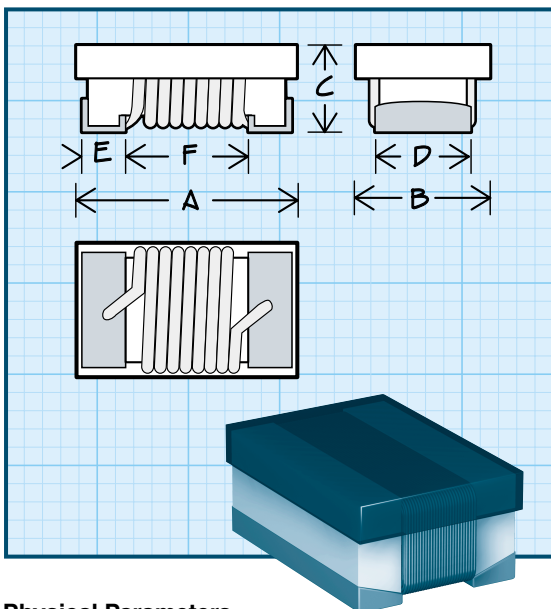


Open Construction
Wirewound Surface Mount Inductors



Physical Parameters

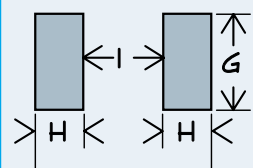
	Inches	Millimeters
A	0.050 Max.	1.27 Max.
B	0.030 Max.	0.76 Max.
C	0.024 Max.	0.61 Max.
D	0.020 (Ref. Only)	0.51 (Ref. Only)
E	0.009 (Ref. Only)	0.23 (Ref. Only)
F	0.022 (Ref. Only)	0.56 (Ref. Only)
G	0.026	0.66
H	0.019	0.50
I	0.018	0.46

Operating Temperature Range -40°C to +125°C

Inductance and Q tested on HP4291A using HP16193A test fixture, or equivalent

Packaging Tape & reel (8mm): 7" reel, 4000 pieces max.

LAND PATTERN DIMENSIONS



DASH NUMBER*

INDUCTANCE (nH) ±10%

Q MINIMUM

INDUCTANCE & Q TEST FREQUENCY (MHz)

SRF MINIMUM (MHz)

DC RESISTANCE MAXIMUM (OHMS)

CURRENT RATING MAXIMUM (mA)

SERIES 0402 CERAMIC CORE

-1N0K	1.0	16	250	12,700	0.045	1360
-1N9K	1.9	16	250	11,300	0.070	1040
-2N0K	2.0	16	250	11,100	0.070	1040
-2N2K	2.2	19	250	10,800	0.070	960
-2N4K	2.4	15	250	10,500	0.070	790
-2N7K	2.7	16	250	10,400	0.120	640
-3N3K	3.3	19	250	7000	0.066	840
-3N6K	3.6	19	250	6800	0.066	840
-3N9K	3.9	19	250	5800	0.066	840
-4N3K	4.3	18	250	6000	0.091	700
-4N7K	4.7	15	250	4700	0.130	640
-5N1K	5.1	20	250	4800	0.083	800
-5N6K	5.6	20	250	4800	0.083	760
-6N2K	6.2	20	250	4800	0.083	760
-6N8K	6.8	20	250	4800	0.083	680
-7N5K	7.5	22	250	4800	0.104	680
-8N2K	8.2	22	250	4400	0.104	680
-8N7K	8.7	18	250	4100	0.200	480
-9N0K	9.0	22	250	4160	0.104	680
-10NK	10	21	250	3900	0.195	480
-11NK	11	24	250	3680	0.120	640
-12NK	12	24	250	3600	0.120	640
-13NK	13	24	250	3450	0.210	440
-15NK	15	24	250	3280	0.172	560
-16NK	16	24	250	3100	0.220	560
-18NK	18	24	250	3100	0.230	420
-19NK	19	24	250	3040	0.202	480
-20NK	20	25	250	3000	0.250	420
-22NK	22	25	250	2800	0.300	400
-23NK	23	24	250	2720	0.300	400
-24NK	24	25	250	2700	0.300	400
-27NK	27	24	250	2480	0.300	400
-30NK	30	25	250	2350	0.350	400
-33NK	33	24	250	2350	0.350	400
-36NK	36	24	250	2320	0.440	320
-39NK	39	25	250	2100	0.550	200
-40NK	40	24	250	2240	0.440	320
-43NK	43	25	250	2030	0.810	100
-47NK	47	20	250	2100	0.830	150
-51NK	51	25	250	1750	0.820	100
-56NK	56	22	250	1700	0.970	100
-68NK	68	22	250	1620	1.120	100

Optional Tolerances J = 5% G=2%
(1.0nH Min. Tolerance is ±10%)
(1.9nH - 2.7nH Min. Tolerance is ±5%)

*Complete part # must include series # PLUS the dash #

For further surface finish information,
refer to TECHNICAL section of this catalog.