

SHORT CIRCUITS SMA

DC - 18 GHz



MODELS: 7008, 7008C, 7009, 7009C

SPECIFICATIONS:

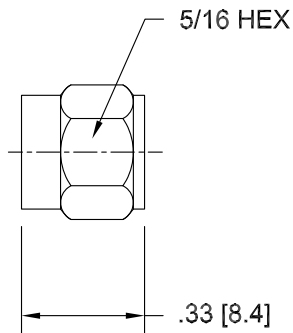
Electrical:

Frequency Range _____ DC – 18 GHz
Reflection _____ 100% Nominal

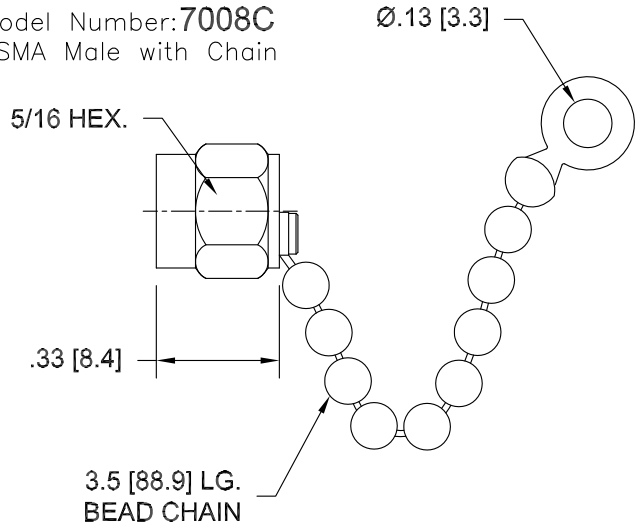
Mechanical:

Connectors _____ Gold Plated Stainless Steel
Mates with MIL-STD-348
Conductors _____ Gold Plated Beryllium Copper
Bead Chain _____ Passivated Stainless Steel

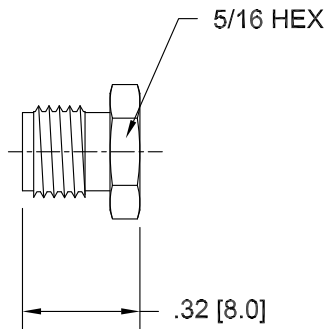
Model Number: **7008**
SMA Male



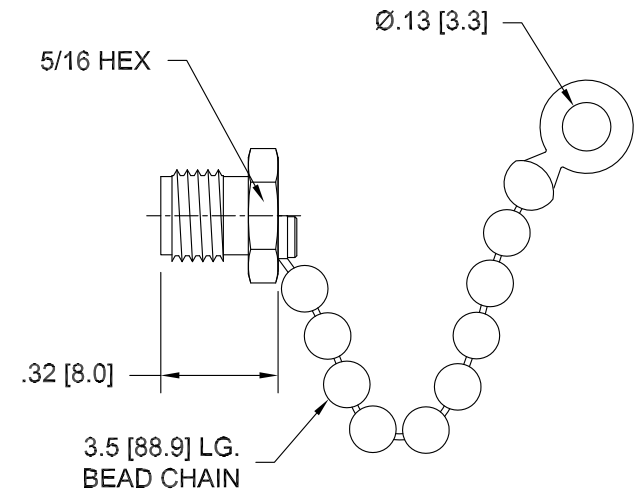
Model Number: **7008C**
SMA Male with Chain



Model Number: **7009**
SMA Female



Model Number: **7009C**
SMA Female with Chain



Note: Dimensions in Brackets are Expressed in Millimeters and are for Reference Only.
Design specifications are subject to change without notice.
Contact factory for technical specifications before purchasing or use.