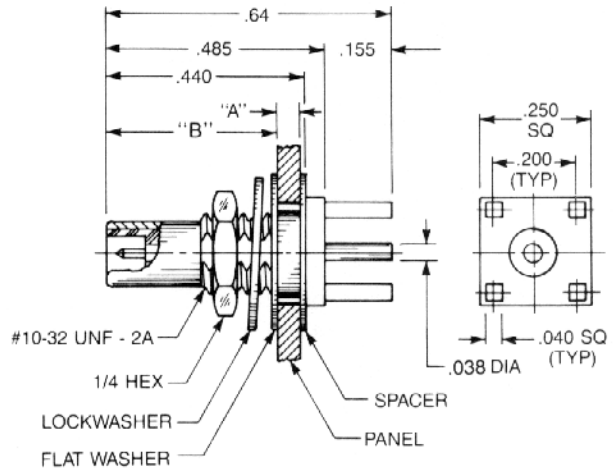




FLOAT MOUNT / BLIND MATE

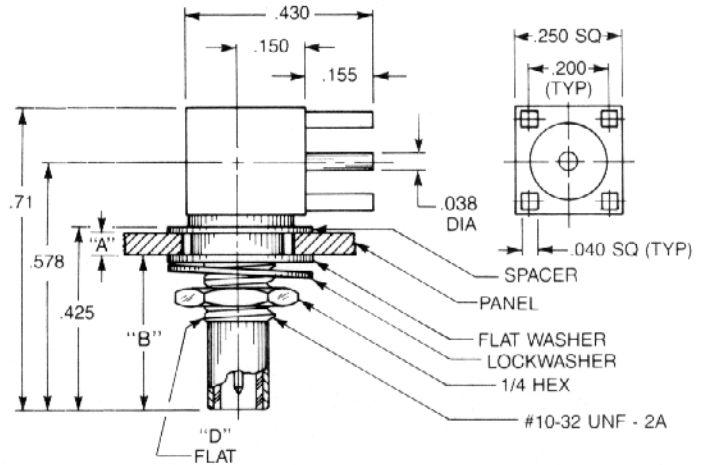
**Float Mount  
Straight Male Jack  
P.C. Board Receptacle**

Dim. A	Dim. B	Part Number	Plating
.031	.380	3109-1511-500	(Gold plated)
		3109-7511-500	(Nickel plated)
.062	.349	3109-1511-600	(Gold plated)
		3109-7511-600	(Nickel plated)
.093	.318	3109-1511-700	(Gold plated)
		3109-7511-700	(Nickel plated)



**Float Mount  
Right Angle Male Jack  
P.C. Board Receptacle**

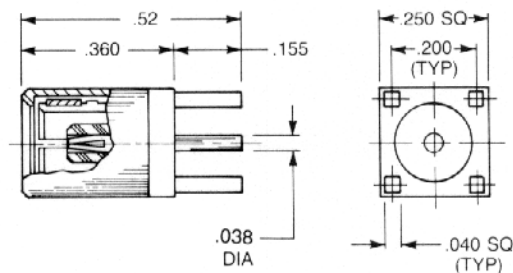
Dim. A	Dim. B	Part Number	Plating
.031	.365	3110-1511-500	(Gold plated)
		3110-7511-500	(Nickel plated)
.062	.334	3110-1511-600	(Gold plated)
		3110-7511-600	(Nickel plated)
.093	.303	3110-1511-700	(Gold plated)
		3110-7511-700	(Nickel plated)



**Straight Female Plug  
P.C. Board Receptacle**

- Closed-entry mating end hood

3025-1511-005 (Gold plated)  
3025-7511-005 (Nickel plated)



**Right Angle Female Plug  
P.C. Board Receptacle**

- Closed-entry mating end hood

3042-1511-006 (Gold plated)  
3042-7511-006 (Nickel plated)

