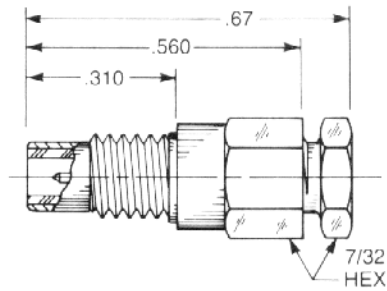




Straight Male Cable Jack

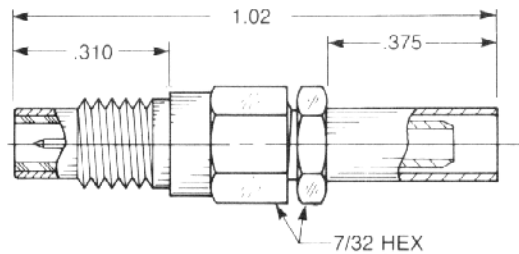
Clamp type for flexible cable:
1001-1551-0XX (Gold plated) QPL version
1001-7551-0XX (Nickel plated) available (M39012/74)



Solder-clamp for semi-rigid cable:
1001-1541-0XX (Gold plated)
1001-7541-0XX (Nickel plated)

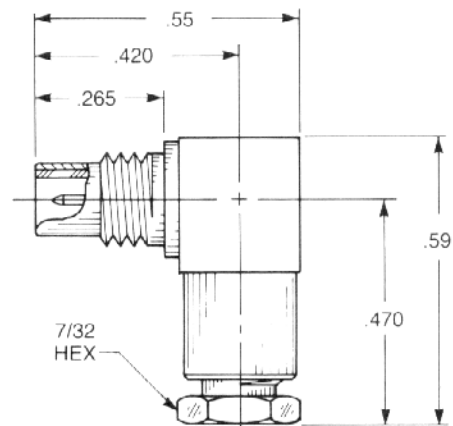
Straight Male Cable Jack

Crimp type for flexible cable:
1001-1571-0XX (Gold plated)
1001-7571-0XX (Nickel plated)
 QPL version available (M39012/74)



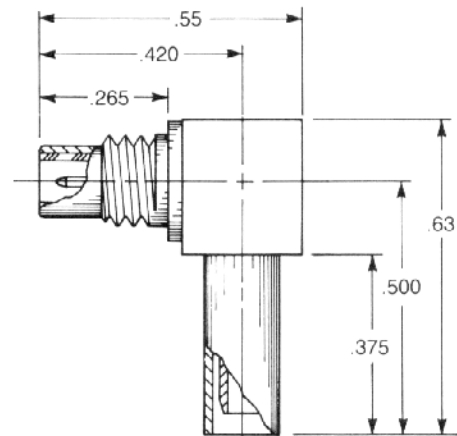
Right Angle Male Cable Jack

Clamp type for flexible cable:
1041-1551-0XX (Gold plated)
1041-7551-0XX (Nickel plated)
 Solder-clamp for semi-rigid cable:
1041-1541-0XX (Gold plated)
1041-7541-0XX (Nickel plated)



Right Angle Male Cable Jack

Crimp type for flexible cable:
1141-1521-0XX (Gold plated)
1141-7521-0XX (Nickel plated)



Substitute the appropriate cable group for 'XX':			
02	RG178, RG196, M17/93, M17/169	09	.141" semi-rigid, RG402, M17/130
03	RG174, RG179, RG316, M17/113, M17/119, M17/172, M17/173	10	.085" semi-rigid, RG405, M17/133
05	RG178DS, RG196DS	19	RG174DS, RG316DS, M17/152, Times RD316