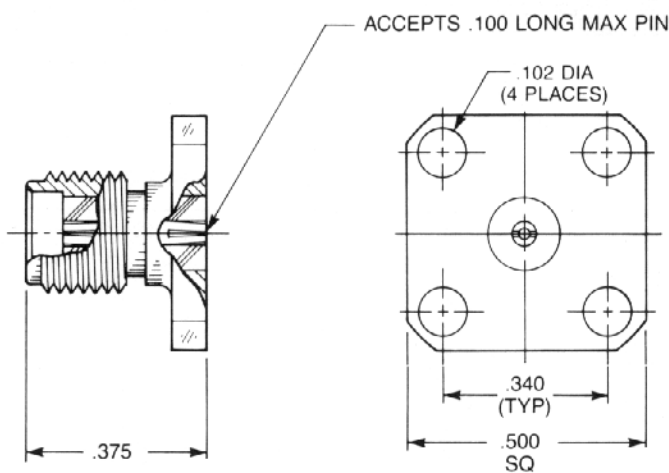




# HERMETIC SEAL LAUNCHERS

## FOR .020" DIAMETER PINS

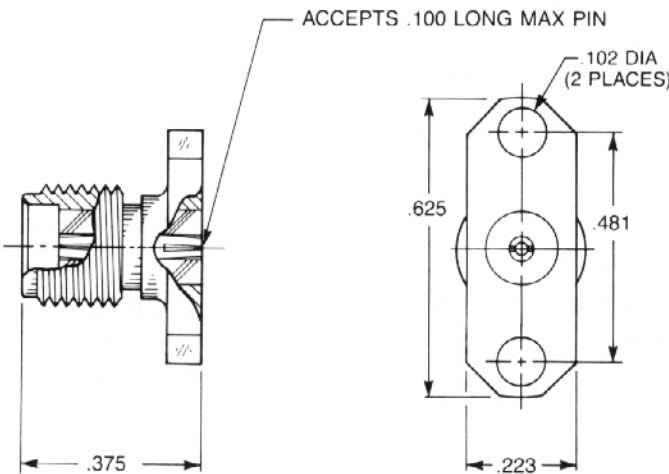
The hermetic seal launchers shown here are designed for use with seals having a .020" pin diameter, and a .160" outer ring diameter. The contact and insulator diameters are constant through these connectors, since they do not require the internal compensation featured in the launchers for smaller seals. The large outer diameter of the seals precludes the use of EMI gaskets on these connectors.



### **Straight Jack 1/2" Square Flange**

9504-9113-031

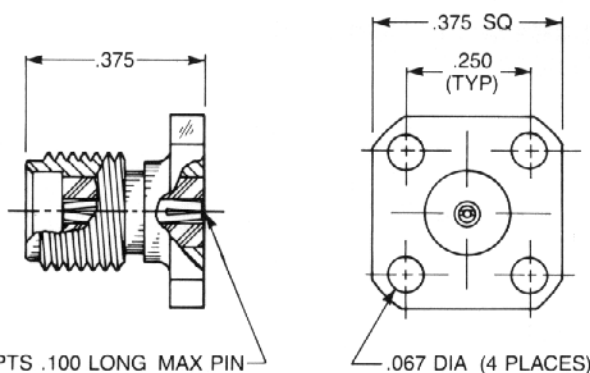
9504-9113-034 (Includes 920-69)



### **Straight Jack 2-Hole Flange**

9508-9113-002

9508-9113-003 (Includes 920-69)



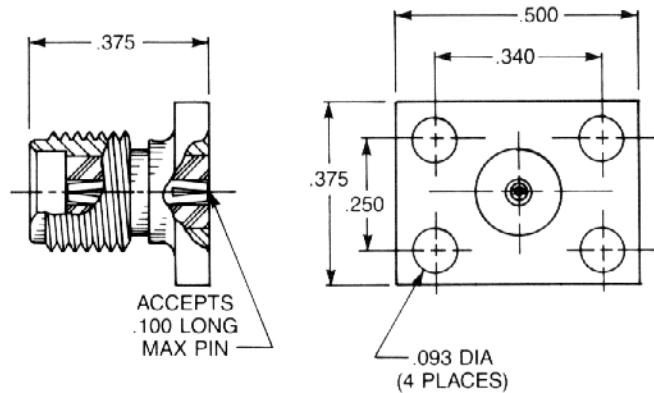
### **Straight Jack 3/8" Square Flange**

9576-9113-001

9576-9113-002 (Includes 920-69)

**Straight Jack  
Rectangular Flange**

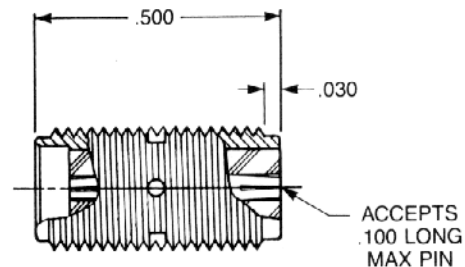
9507-9113-003  
9507-9113-004 (Includes 920-69)



**Straight Jack  
Screw-In Mounting**

9513-9113-009  
9513-9113-012 (Includes 920-69)

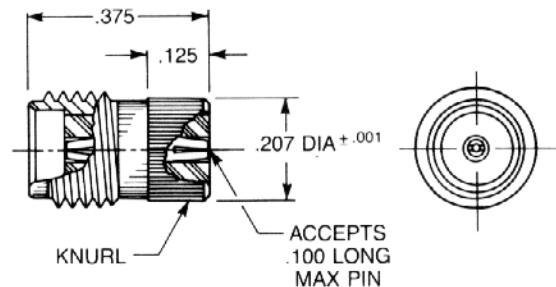
These connectors require a minimum package wall thickness of .250" for proper retention



**Straight Jack  
Knurl Mount**

9533-9113-003  
9533-9113-002 (Includes 920-69)

These connectors require a minimum package wall thickness of .235" for proper retention



**Solder-In Hermetic Seal**

P/N 920-69

See page 45 for material and finish specifications and mounting dimensions.

