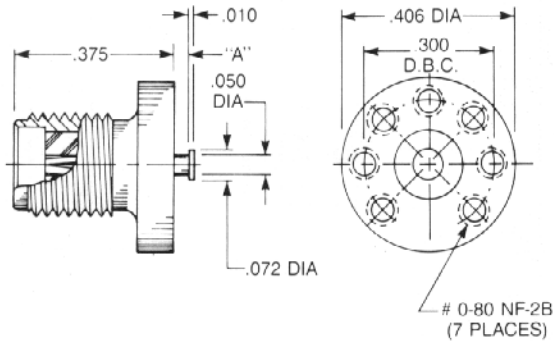


Straight Surface Mount Jack Receptacle

- Standard flange
- Noncaptive contact

Dim. A

.031	9003-1213-001	(Gold plated)
	9003-9213-001	(Passivated)
.063	9003-1213-002	(Gold plated)
	9003-9213-002	(Passivated)
.125	9003-1213-003	(Gold plated)
	9003-9213-003	(Passivated)

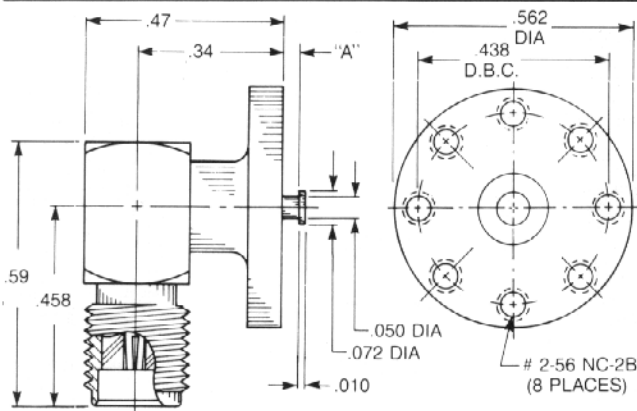


Straight Surface Mount Jack Receptacle

- Small diameter flange
- Noncaptive contact

Dim. A

.031	9610-1213-001	(Gold plated)
	9610-9213-001	(Passivated)
.063	9610-1213-002	(Gold plated)
	9610-9213-002	(Passivated)
.125	9610-1213-003	(Gold plated)
	9610-9213-003	(Passivated)

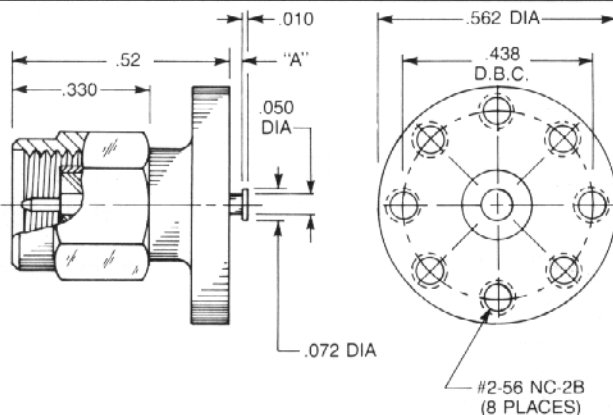


Right Angle Surface Mount Jack Receptacle

- Standard flange
- Noncaptive rear contact

Dim. A

.031	9035-1513-001	(Gold plated)
	9035-9513-001	(Passivated)
.063	9035-1513-002	(Gold plated)
	9035-9513-002	(Passivated)
.125	9035-1513-003	(Gold plated)
	9035-9513-003	(Passivated)



Straight Surface Mount Plug Receptacle

- Standard flange
- Noncaptive contact

Dim. A

.031	9034-1213-001	(Gold plated)
	9034-9213-001	(Passivated)
.063	9034-1213-002	(Gold plated)
	9034-9213-002	(Passivated)
.125	9034-1213-003	(Gold plated)
	9034-9213-003	(Passivated)

Connectors for use with other board thicknesses are available

e-mail: aepsales@aepconnectors.com

AEP New Haven, CT
203/776-2813