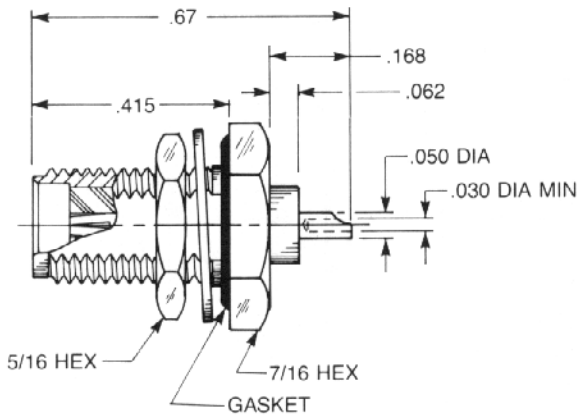


Straight Bulkhead Jack Receptacle

- Solder pot contact
- Rear mount

Captive contact:
9412-1113-000 (Gold plated)
9412-9113-000 (Passivated)

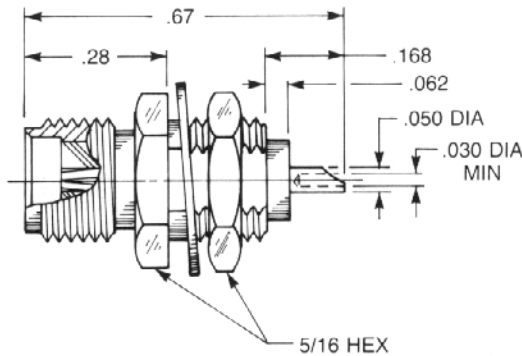


Straight Bulkhead Jack Receptacle

- Solder pot contact
- Rear mount
- With mounting gasket

Captive contact:
9432-1113-000 (Gold plated)
9432-9113-000 (Passivated)

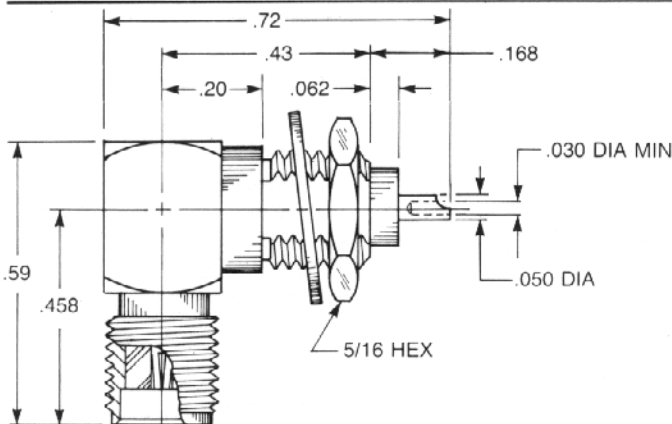
QPL version available (M39012/61)



Straight Bulkhead Jack Receptacle

- Solder pot contact
- Front mount

Captive contact:
9422-1113-000 (Gold plated)
9422-9113-000 (Passivated)



Right Angle Bulkhead Jack Receptacle

- Solder pot contact
- Front mount

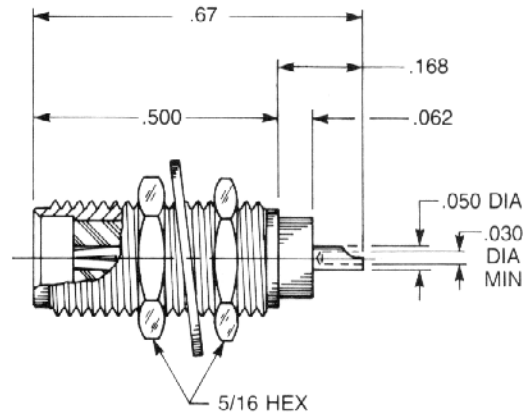
Captive contact:
9609-1513-000 (Gold plated)
9609-9513-000 (Passivated)

Available with other contact and insulator configurations
Designed for use with .125" thick max panel

Straight Bulkhead Jack Receptacle

- Solder pot contact
- Round body
- Provided with two mounting nuts and one lockwasher

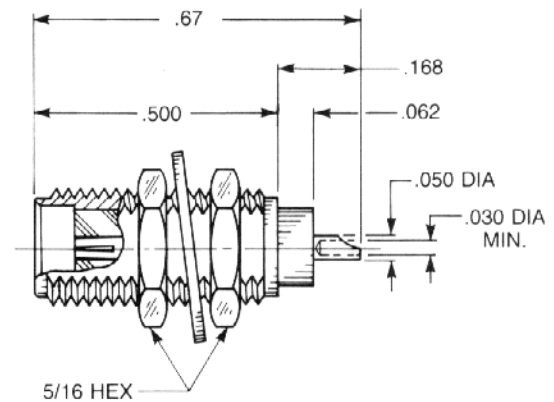
Captive contact:
9413-1113-000 (Gold plated)
9413-9113-000 (Passivated)



Straight Bulkhead Jack Receptacle

- Solder pot contact
- D-flatted body
- Provided with two mounting nuts and one lockwasher

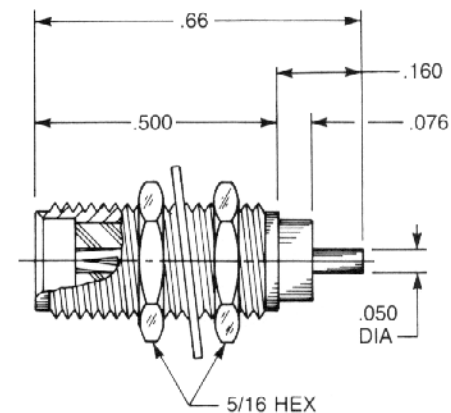
Captive contact:
9456-1113-002 (Gold plated)
9456-9113-002 (Passivated)



Straight Bulkhead Jack Receptacle

- Post contact
- Round body
- Provided with two mounting nuts and one lockwasher

Captive contact:
9013-1113-000 (Gold plated)
9013-9113-000 (Passivated)



Straight Bulkhead Jack Receptacle

- Post contact
- D-flatted body
- Provided with two mounting nuts and one lockwasher

Captive contact:
9056-1113-000 (Gold plated)
9056-9113-000 (Passivated)

