

## Indoor LSZH Riser All-Dielectric Central Tube Ribbon Cable

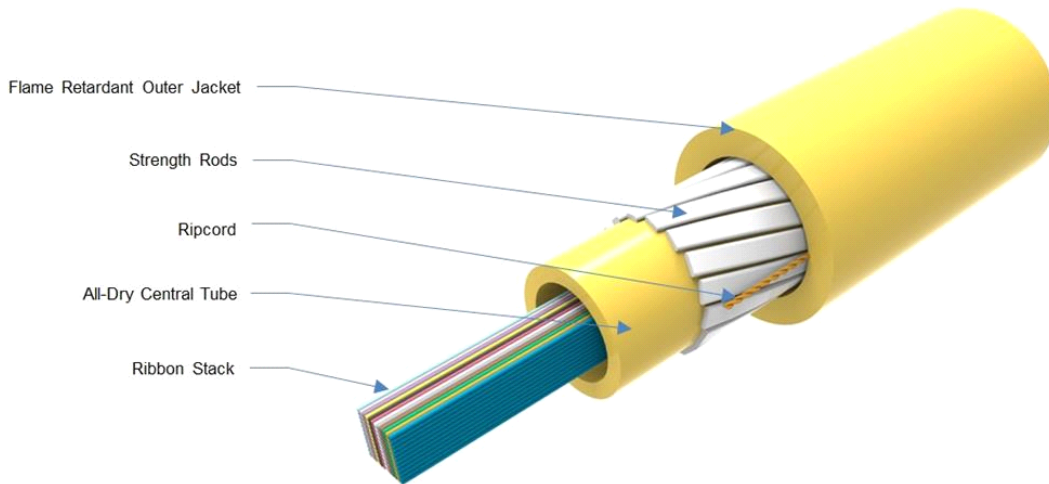
### Product Classification

<b>Portfolio</b>	CommScope®
<b>Product Type</b>	Fiber indoor cable
<b>Regional Availability</b>	Asia   Australia/New Zealand   EMEA   Latin America   North America

### Standards And Qualifications

<b>Cable Qualification Standards</b>	ANSI/ICEA S-83-596   Telcordia GR-409
--------------------------------------	---------------------------------------

### Representative Image



### General Specifications

<b>Cable Type</b>	Ribbon central tube
<b>Construction Type</b>	Non-armored
<b>Subunit Type</b>	Gel-free

### Construction Materials

<b>Fiber Type Solution</b>	OM3, bend insensitive
<b>Total Fiber Count</b>	96
<b>Fiber Type</b>	OM3, bend insensitive

<b>Fiber Type, quantity</b>	96
<b>Fibers per Ribbon, quantity</b>	12

## Dimensions

<b>Buffer Tube/Subunit Diameter</b>	6.80 mm   0.27 in
<b>Cable Weight</b>	66.0 lb/kft   98.0 kg/km
<b>Diameter Over Jacket</b>	10.20 mm   0.40 in

## Physical Specifications

<b>Minimum Bend Radius, loaded</b>	203.2 mm   8.0 in
<b>Minimum Bend Radius, unloaded</b>	101.6 mm   4.0 in
<b>Tensile Load, long term, maximum</b>	334 N   75 lbf
<b>Tensile Load, short term, maximum</b>	1335 N   300 lbf

## Flame Test Specifications

<b>Flame Test Listing</b>	NEC OFNR-LS (UL) and c(UL)
<b>Flame Test Method</b>	IEC 60332-3   IEC 60754-2   IEC 61034-2   UL 1666   UL 1685

## Environmental Specifications

<b>Environmental Space</b>	Low Smoke Zero Halogen (LSZH)   Riser
<b>Installation Temperature</b>	0 °C to +70 °C (+32 °F to +158 °F)
<b>Operating Temperature</b>	-20 °C to +70 °C (-4 °F to +158 °F)
<b>Storage Temperature</b>	-40 °C to +70 °C (-40 °F to +158 °F)

## Mechanical Test Specifications

<b>Compression</b>	10 N/mm   57 lb/in
<b>Compression Test Method</b>	FOTP-41   IEC 60794-1 E3
<b>Flex</b>	25 cycles
<b>Flex Test Method</b>	FOTP-104   IEC 60794-1 E6
<b>Impact</b>	2.17 ft lb   2.94 N-m
<b>Impact Test Method</b>	FOTP-25   IEC 60794-1 E4
<b>Strain</b>	See long and short term tensile loads
<b>Strain Test Method</b>	FOTP-33   IEC 60794-1 E1
<b>Twist</b>	10 cycles
<b>Twist Test Method</b>	FOTP-85   IEC 60794-1 E7

## Environmental Test Specifications

<b>Heat Age</b>	-20 °C to +85 °C (-4 °F to +185 °F)
<b>Heat Age Test Method</b>	IEC 60794-1 F9
<b>Low High Bend</b>	-20 °C to +70 °C (-4 °F to +158 °F)
<b>Low High Bend Test Method</b>	FOTP-37   IEC 60794-1 E11
<b>Temperature Cycle</b>	-20 °C to +70 °C (-4 °F to +158 °F)
<b>Temperature Cycle Test Method</b>	FOTP-3   IEC 60794-1 F1

## Regulatory Compliance/Certifications

<b>Agency</b>	<b>Classification</b>
RoHS 2011/65/EU	Compliant
ISO 9001:2015	Designed, manufactured and/or distributed under this quality management system



## Included Products

CS-5Y-RB (Product Component—not orderable) — 50µm OM3 Bend-Insensitive Multimode Fiber

## \* Footnotes

**Operating Temperature** Specification applicable to non-terminated bulk fiber cable