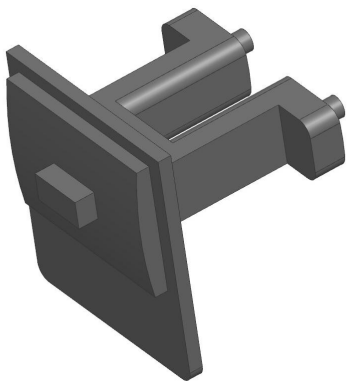
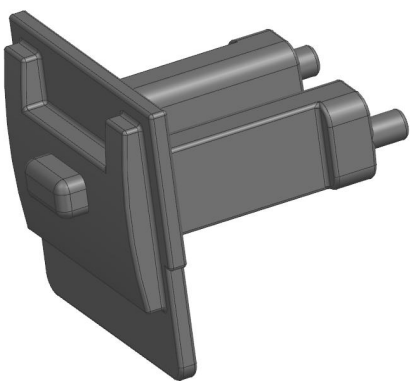


*This notice is to inform you about a change to one or more products*

<b>PCN number:</b>	PCN202405-01
<b>Subject:</b>	AZ733W Push Card Structure Change
<b>To:</b>	All customers
<b>Issue Date:</b>	March 14, 2024
<b>Affected Part Number(s):</b>	All AZ733, AZ733W part numbers
<b>Reason for Change:</b>	
To better satisfy the requirements of the automatic assembly process	
<b>Change Description (comparisons on following pages):</b>	
Modified mold and shape for the plastic push card	
<b>Before</b>	<b>After</b>
	
<b>Impact (form, fit, function, quality, or reliability):</b>	
No impact.	
<b>Qualification status:</b>	
All materials and processes remain qualified. Regression testing reports available upon request for drop testing, electrical endurance, mechanical endurance, insulation and dielectric strength.	
<b>Sample availability date:</b>	Immediate
<b>Effective date:</b>	March 2023 date codes