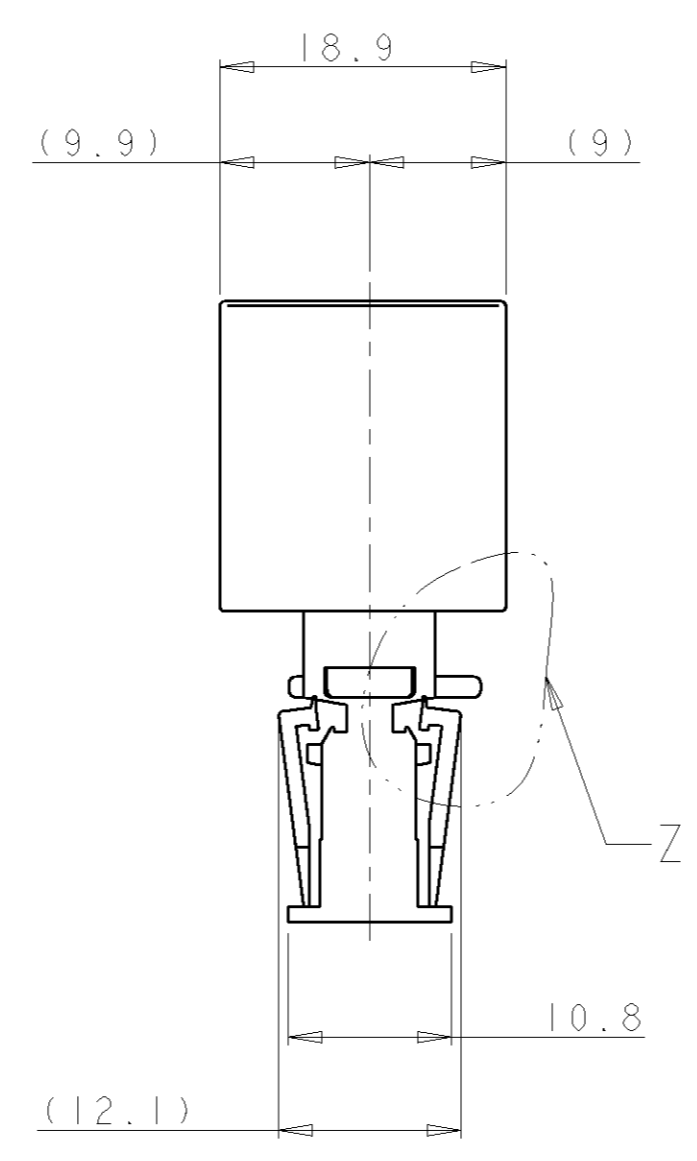
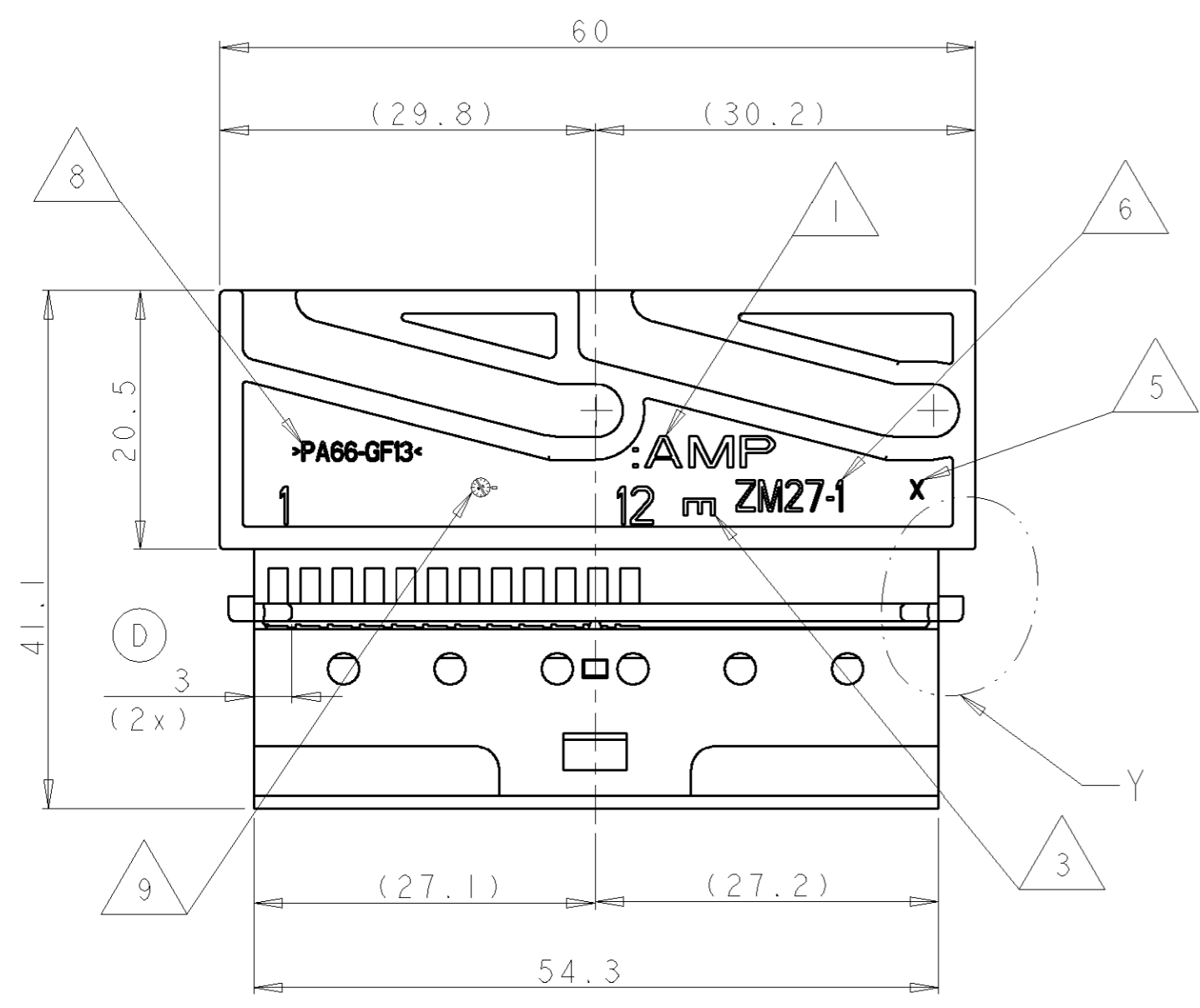


PROJEKT NO.
 A98-52144
 B909525

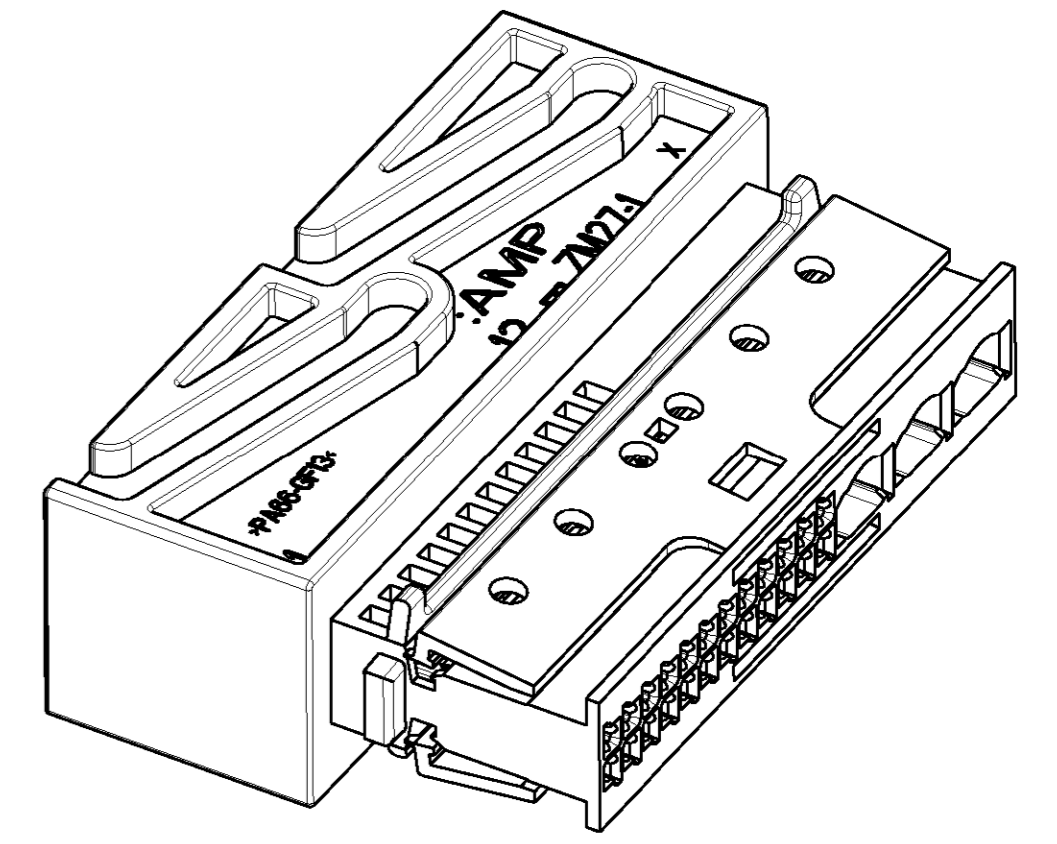
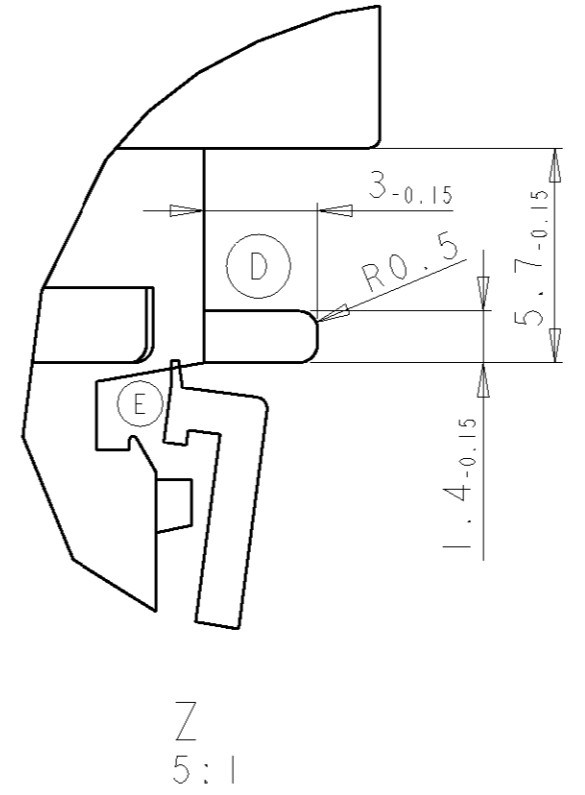
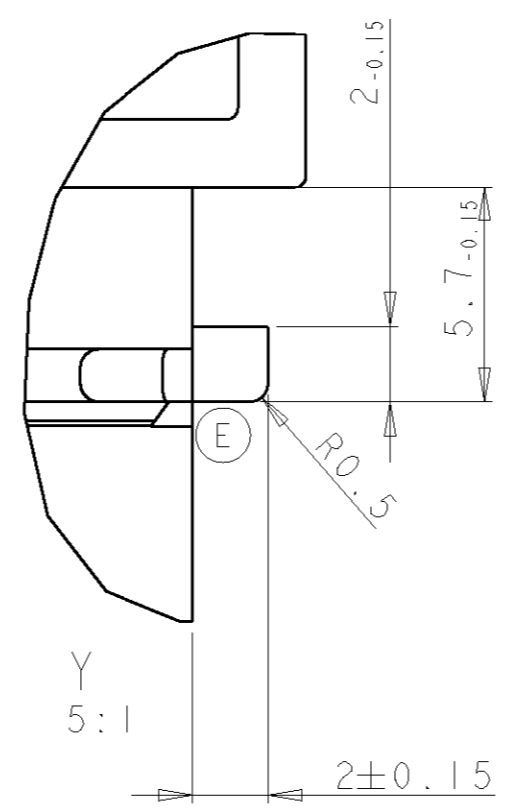
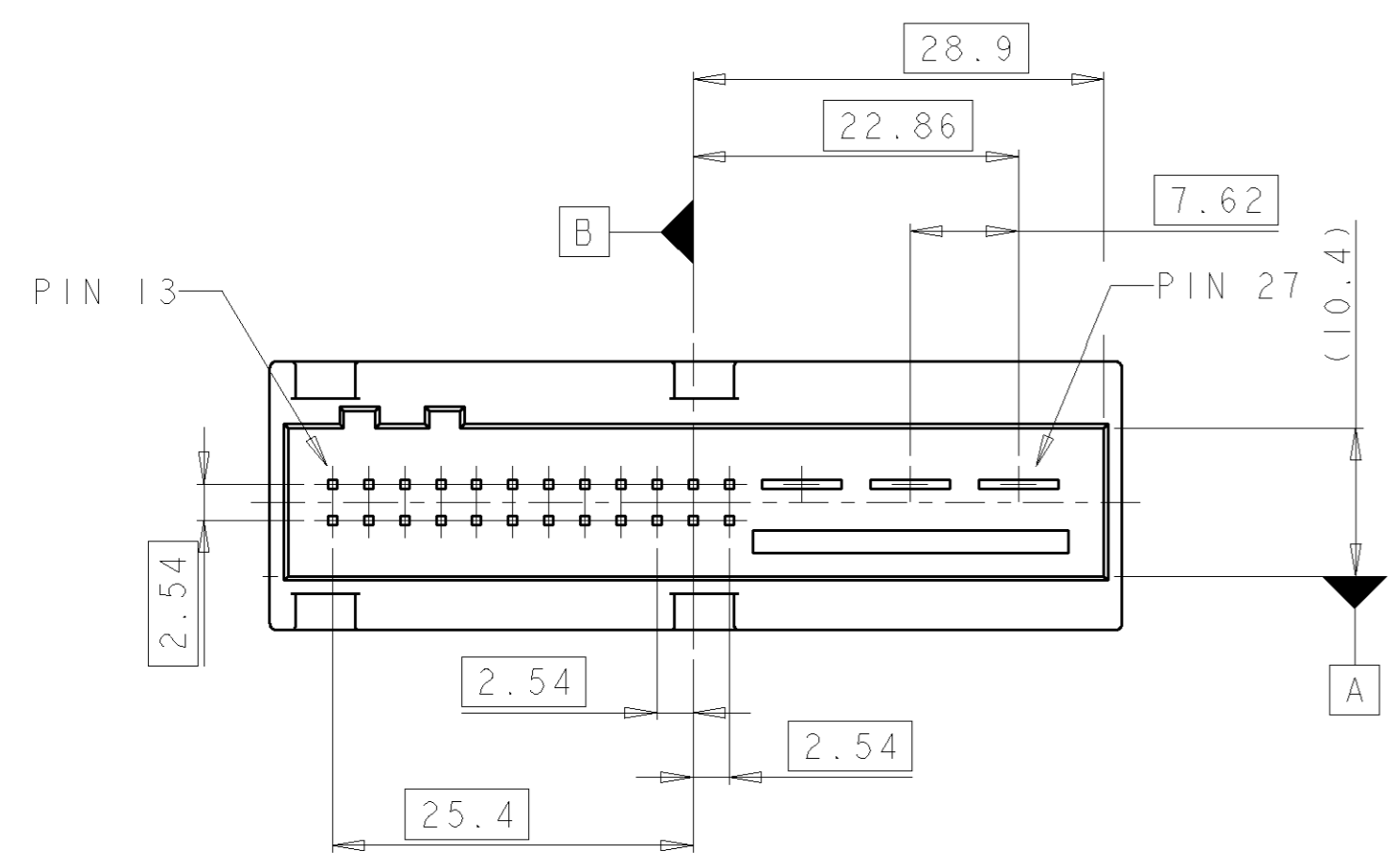
REV	DATE	BY	CHK	DESCRIPTION
E	16JUN04	PK	HSCH	SEE PCN EGA0 1366 04
D	10OCT01	PK	HSCH	SEE PCN EG00 2999 01
C	11APR00	JGRU	-	SEE PCN EG00 0534 00
BI	05NOV99	HSCH	-	SEE PCN EG00 2142 99



0-1452690-1	I	COVER WITH SLIDE, COD A, 90° CABLEOUTLET
0-1355543-1	I	COVER WITH SLIDE, COD A, 180° CABLEOUTLET
AMP BESTELL-NR. AMP ORDER NO.	STK. QTY.	BENENNUNG DESCRIPTION
COUNTERPARTS GEGENSTECKER		

NOTES
 Bemerkungen

- 1 AMP-LOGO
AMP-Logo
- 2 ORDER-NUMBER
Bestell-Nummer
- 3 REVISIONS-NUMBER
Werkzeugaenderungsindex
- -
- 5 CAVITY MARKING
Nestmarkierung
- 6 CUSTOMER SIGN
Kunden-Kurzzeichen
- 7 PACKAGING IN CARTON
Verpackung in Karton
- 8 MATERIAL MARKING
Werkstoffkennzeichnung
- 9 PRODUCTION-DATE
Produktions-Datum



Part	Part No.	Part No.	Dim	Mat	Finish	Tool	Part No.
PQ-Flachkontakt	968132-2	9-968132-2	>2.5-4.0	CuSn	verzinkt	2-878989-2	58594-2
PQ-Flachkontakt	968131-2	9-968131-2	>1.0-2.5	CuSn	verzinkt	2-878988-2	58593-2
MOS-Sitftkontakt	963716-1	963730-1	0.75	CuSn	verzinkt	2-878591-2	734464-1
	1-928918-1	1-963725-1	0.2-0.5	CuSn	verzinkt	2-878439-2	734237-2
Kontakte	AMP Bestell-Nummer Bandware Einzelausfuehrung		DGB in mm ²	Werkstoff	Oberflaeche	Crimp-Werkzeuge Masch.-Werkz. Handzange	

0-1241729-1	E	TAB HSG.	PA66 GF13	BLACK	14.3	I
PART NO.	REV	DESCRIPTION	MATERIAL	SURFACE COLOR	WEIGHT [g]	ITEM NO

THIS DRAWING IS A CONTROLLED DOCUMENT FOR TYCO ELECTRONICS CORPORATION. IT IS SUBJECT TO CHANGE AND THE CONTROLLING ENGINEERING ORGANIZATION SHOULD BE CONTACTED FOR THE LATEST REVISION.

DWN: M.Reinhardt 27APR99
 CHK: L.Post 19OCT99
 APVD: -

AMP AMP Deutschland GmbH
 D - 63225 Langen

NAME: PIN HEADER 3xPQ + 24xMQS WITH SECONDARY LOCKING

SIZE: A2 CAGE CODE: 00779 DRAWING NO: 1241729 RESTRICTED TO: -

WEIGHT: 14.3 [g]

CUSTOMER DRAWING SCALE: 2:1 SHEET 1 OF 1 REV: E