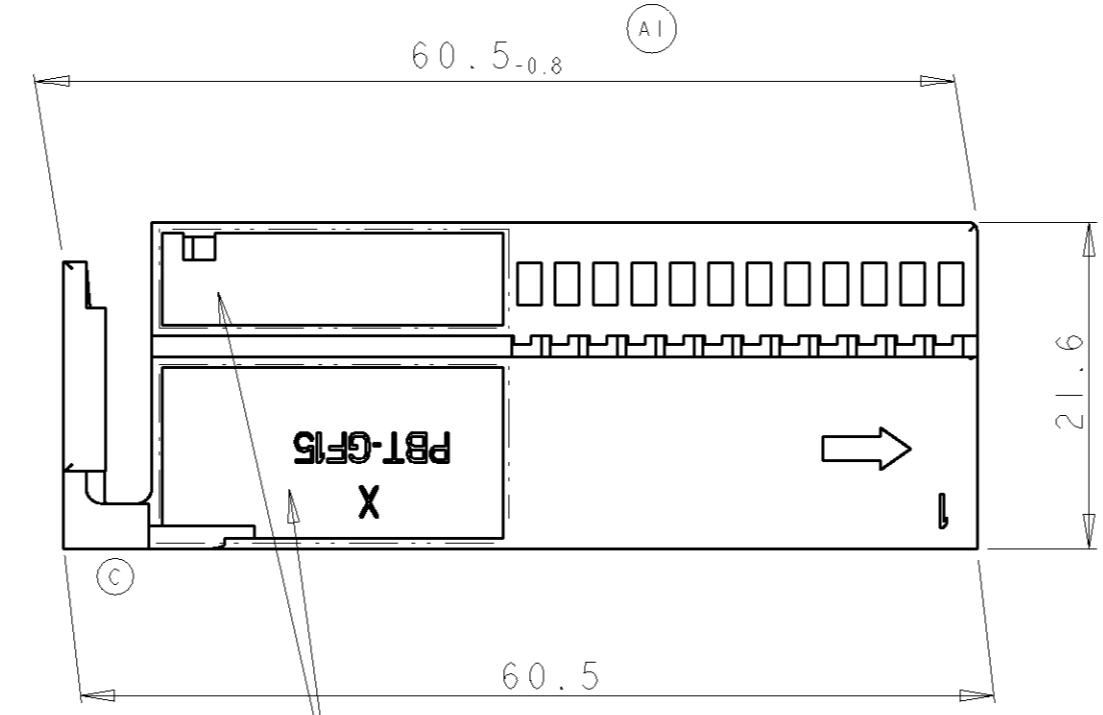
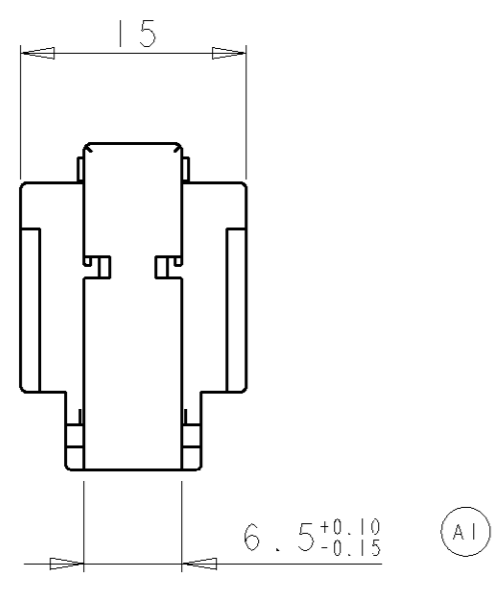
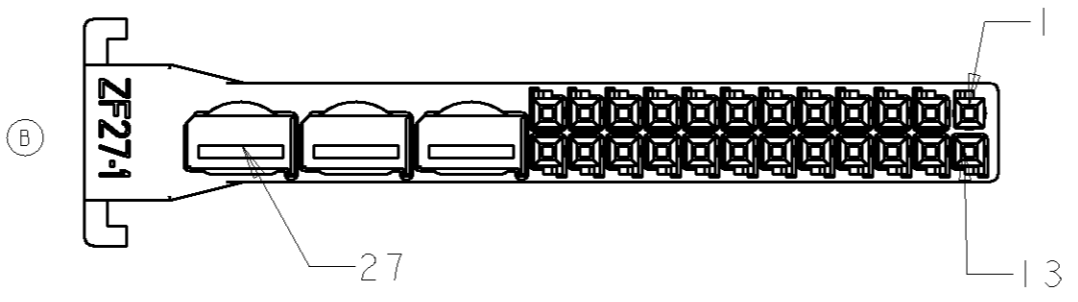


THIS DRAWING IS UNPUBLISHED. RELEASED FOR PUBLICATION  
COPYRIGHT 19 BY TYCO ELECTRONICS CORPORATION. ALL RIGHTS RESERVED.

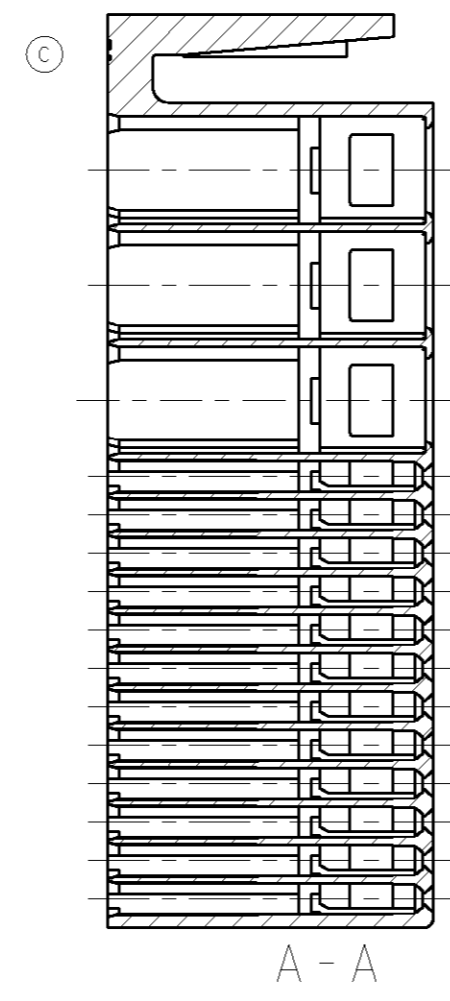
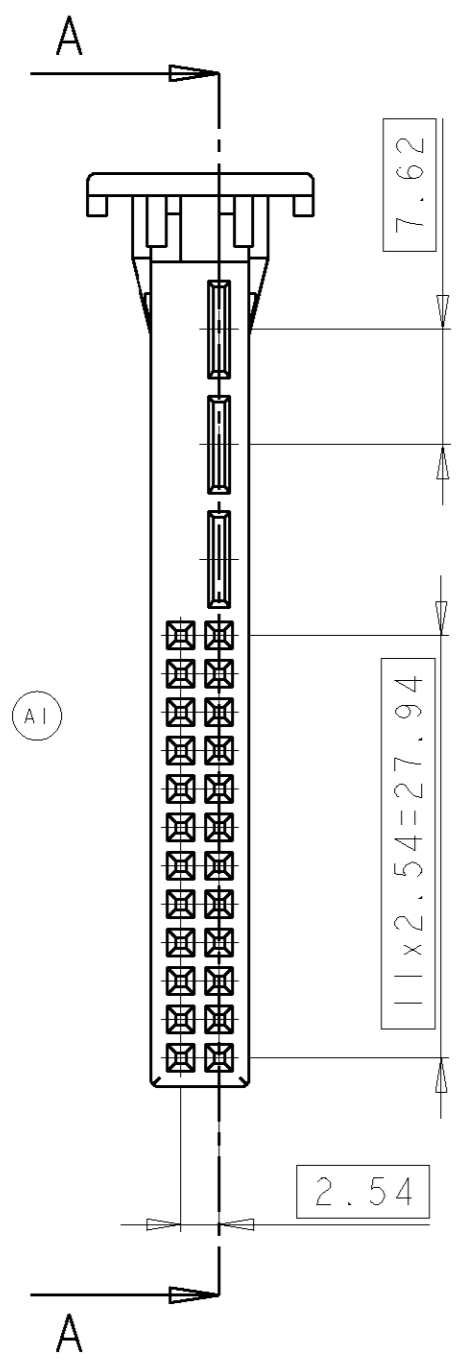
| LOC | DIST | REVISIONS                      |           |      |      |
|-----|------|--------------------------------|-----------|------|------|
| P   | LTR  | DESCRIPTION                    | DATE      | DWN  | APVD |
| A   | -    |                                |           |      |      |
| D   |      | SEE PCN EG00 2842 00, -2 ADDED | 24NOV2000 | A.Ri | HSCH |

PROJEKT NO.  
A98-52144  
B909525



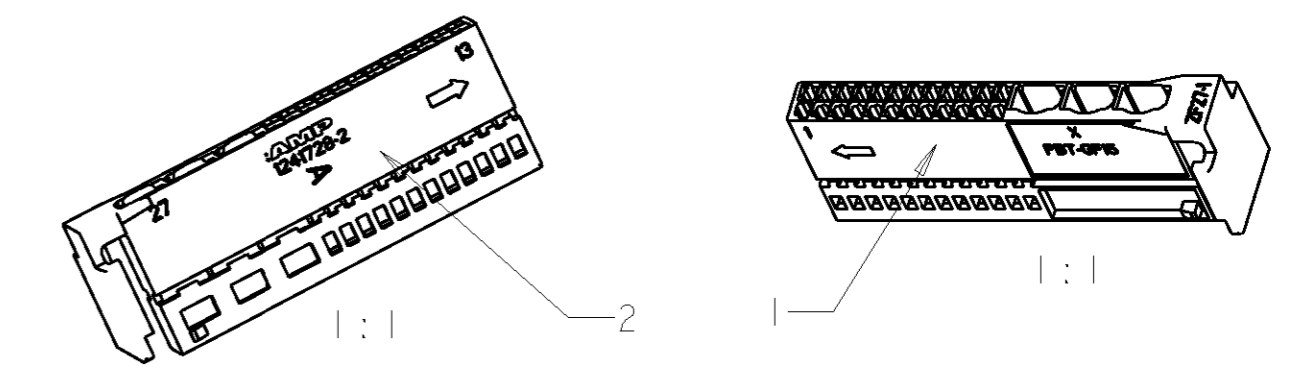
Materialentnahme in diesen Bereichen nach Wahl des Herstellers. Keine Durchbrueche zur Kontaktkammer  
MATERIAL RECESS ALLOWED IN THIS AREA. WALL TO CONTACTCAVITY CLOSED

|   |              |  |
|---|--------------|--|
| 0-1355543-1                                   | I            | COVER WITH SLIDE, COD A, 90° CABLEOUTLET |
| AMP BESTELL-NR.<br>AMP ORDER NO.              | STK.<br>QTY. | BENENNUNG<br>DESCRIPTION                 |
| CAN BE USED WITH<br>KANN VERWENDET WERDEN MIT |              |  |



NOTES  
Bemerkungen

- 1 AMP-LOGO  
AMP-Logo
- 2 ORDER-NUMBER  
Bestell-Nummer
- 3 REVISIONS-NUMBER  
Werkzeugaenderungsindex
- GM-LOGO  
GM-Logo
- 5 CAVITY MARKING  
Nestmarkierung
- 6 CUSTOMER SIGN (ONLY ON -1)  
Kunden-Kurzzeichen nur bei -1
- 7 PACKAGING IN CARTON  
Verpackung in Karton
- 8 MATERIAL MARKING  
Werkstoffkennzeichnung
- 9 PRODUCTION-DATE  
Produktions-Datum



|             |     |                  |          |               |          |
|-------------|-----|------------------|----------|---------------|----------|
| 0-1241728-2 | A   | PQ+MQS REC. HSG. | PBT-GF15 | BLUE          | 2        |
| 0-1241728-1 | C   | PQ+MQS REC. HSG. | PBT-GF15 | GREY          | 1        |
| PART NO.    | REV | DESCRIPTION      | MATERIAL | SURFACE COLOR | ITEM NO. |

|             |                    |                  |                        |           |             |                 |            |
|-------------|--------------------|------------------|------------------------|-----------|-------------|-----------------|------------|
| PQ-Kontakt  | 0-968073-2         | 9-968073-2       | >2.5-4.0               | CuNiSi    | vorverzinnt | 2-878989-2      | 58594-2    |
|             | 0-968072-2         | 9-968072-2       | >1.0-2.5               | CuNiSi    | vorverzinnt | 2-878988-2      | 58593-2    |
| MQS-Kontakt | 0-963715-1         | 0-963729-1       | >0.5-0.75              | CuNiSi    | vorverzinnt | 0-878591-2      | 0-734464-1 |
|             | 0-928999-1         | 0-963726-1       | 0.2-0.5                | CuNiSi    | vorverzinnt | 0-878439-2      | 0-734237-2 |
| Kontakte    | AMP Bestell-Nummer |                  | DGB in mm <sup>2</sup> | Werkstoff | Oberfläche  | Crimp-Werkzeuge |            |
|             | Bandware           | Einzelausführung |                        |           |             | Masch.-werkz.   | Handzange  |

THIS DRAWING IS A CONTROLLED DOCUMENT FOR TYCO ELECTRONICS CORPORATION IT IS SUBJECT TO CHANGE AND THE CONTROLLING ENGINEERING ORGANIZATION SHOULD BE CONTACTED FOR THE LATEST REVISION.

DWN H. URBAN 28-APR-99  
CHK M. REINHARDT 28-APR-99

**AMP** AMP Deutschland GmbH  
D - 63225 Langen

NAME 3xPQ+24xMQS SOCKETHOUSING  
3xPQ+24xMQS BUCHSENGEHÄUSE

SIZE A2 CAGE CODE 00779 DRAWING NO. 1241728 RESTRICTED TO -

CUSTOMER DRAWING SCALE 5:1 SHEET 1 OF 1 REV D