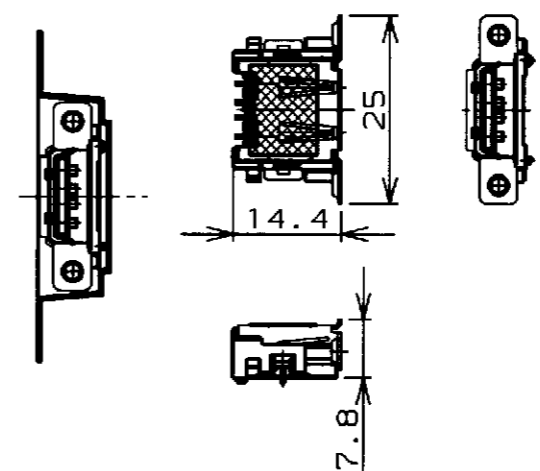
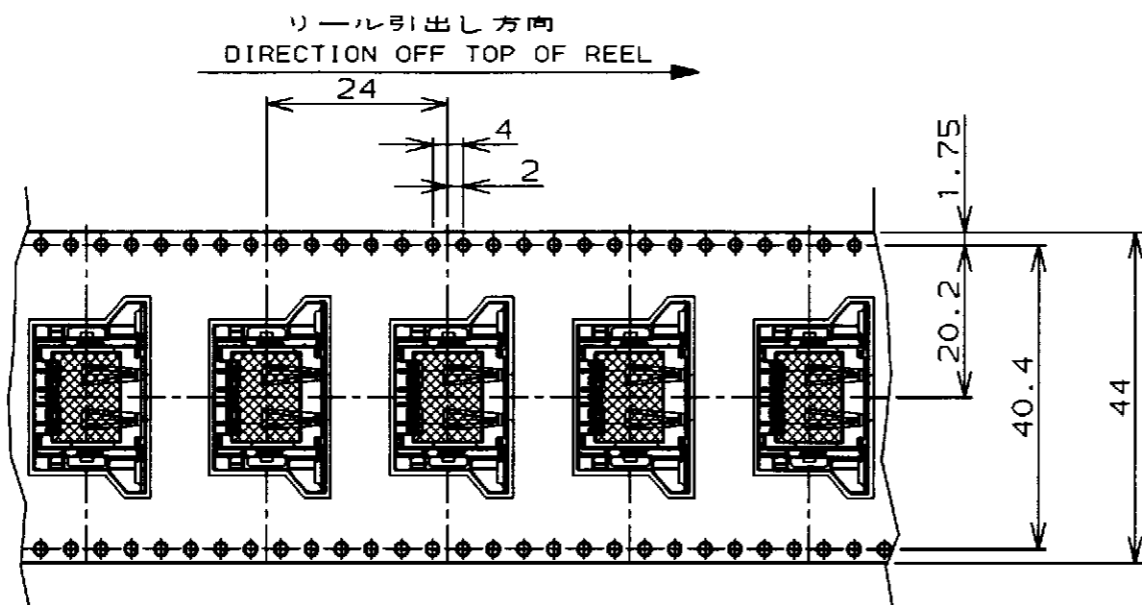


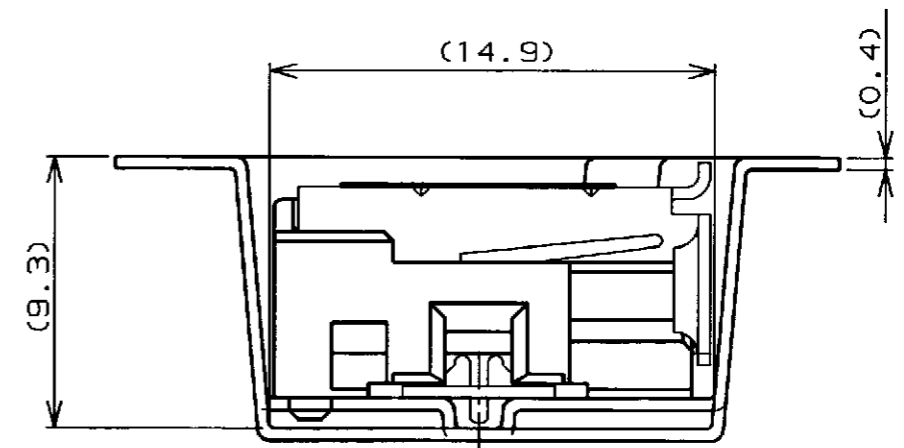
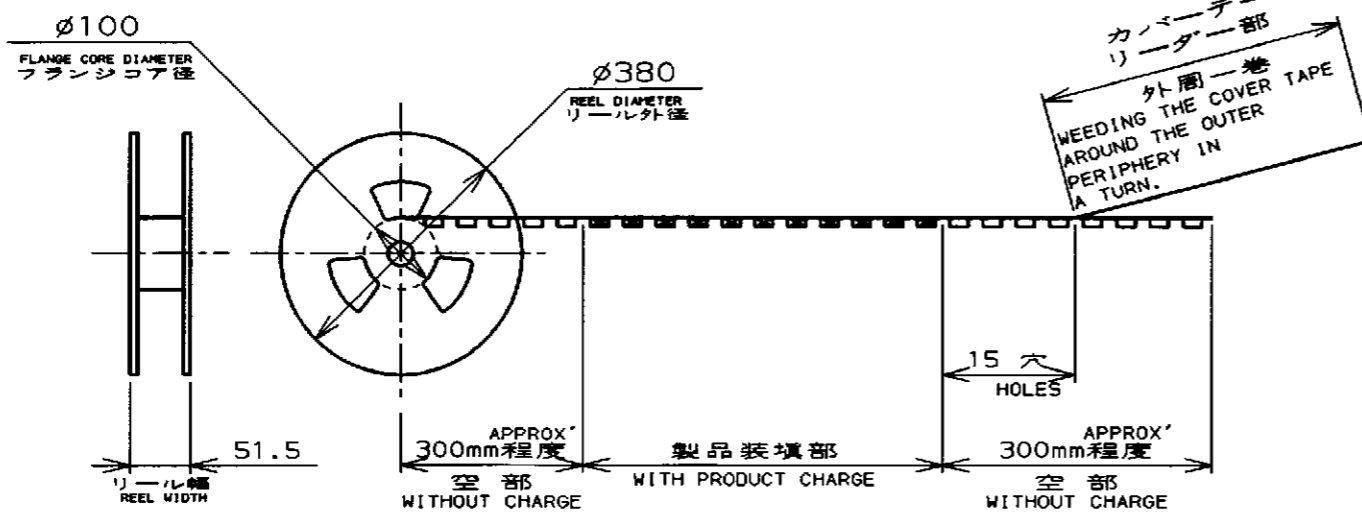
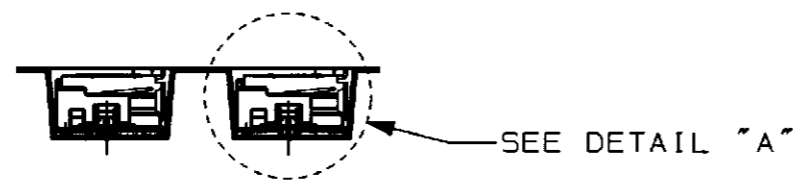
LOC J  
DISY .

REVISIONS

P	LTR	DESCRIPTION	ECN	DATE	DWN	APVD
0		RELEASED	FJ00-0482-98	5/MAR/'98	Y.W	H.K
A		REVISED	FJ00-0527-98	13/Mar/'98	Y.W	H.K



CONNECTOR DETAIL



DETAIL "A"  
(SCALE 4-1)

350	4	7-912072-3	1-353583-1	0-1123755-1
QTY	POS	EMBOSS P/N	CONN. P/N	PART NO.

THIS DRAWING IS A CONTROLLED DOCUMENT FOR AMP INCORPORATED. IT IS SUBJECT TO CHANGE AND THE CONTROLLING ENGINEERING ORGANIZATION SHOULD BE CONTACTED FOR THE LATEST REVISION.

DIMENSIONS: 単位・寸 mm	TOLERANCES UNLESS OTHERWISE SPECIFIED —般公差 $\pm 0.3, \pm 5^\circ$	APVD H. KODAMA 5/MAR/'98	NAME H. KODAMA
MATERIAL 材料	FINISH 仕上	PRODUCT SPEC 製品規格	APPLICATION SPEC 取付適用規格
CUSTOMER DRAWING		SIZE A3	CAGE CODE 00779
		DRAWING NO. C=1123755	RESTRICTED TO

AMP 日本エー・エム・ピー株式会社  
Kawasaki, Japan

EMBOSS ASSY (PITCH: 24mm)  
STD TYPE USB CONN. REC.  
WITH COVER TAPE

SCALE 1-1 SHEET 1 OF 1 REV A