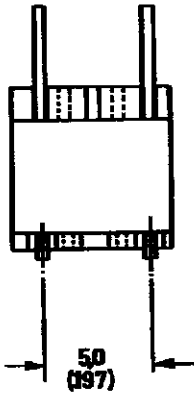
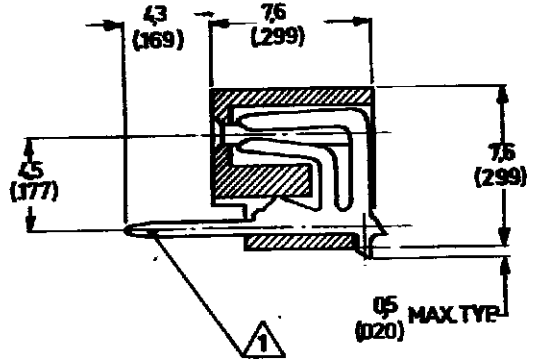
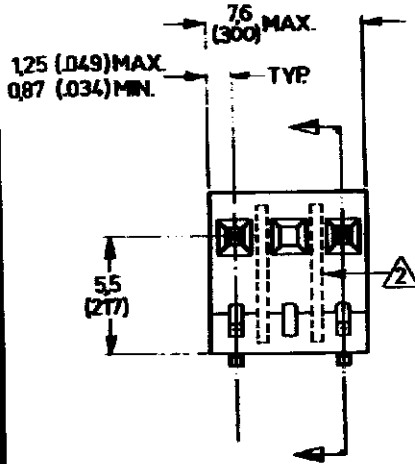


DRAWING MADE IN AMERICAN PROJECTION

NUMBER C-164761



NOTES:

- ▲ MOUNTING-HOLE SIZE $\varnothing 8 \begin{smallmatrix} +.01 \\ -.00 \end{smallmatrix}$ ($\varnothing 31 \begin{smallmatrix} +.001 \\ -.000 \end{smallmatrix}$) DIA.
(FOR HOLE-PATTERN SEE SPEC: 108-19011.)
- ▲ VERSIONS WITH OR WITHOUT SLOTS BETWEEN CAVITIES CAN BE USED INDIFFERENTLY.

DOC. CENTRE
29 OKT. 1993

MATERIAL:

HOUSING: GREEN CRASTIN FR 613 SK
RECEPTACLES: PHOSPHOR BRONZE TINPLATED

CUSTOMER COPY FOR REFERENCE ONLY

©1978 BY AMP-HOLLAND N.V. ALL RIGHTS RESERVED A-MP PRODUCTS COVERED BY PATENTS AND/OR PATENTS PENDING.



AMP-HOLLAND N.V.
's-Hertogenbosch

WIRE-RANGE INSUL-RANGE FIRST USED

DIMENSIONS IN MM DO NOT SCALE PRINT

164761-1 SEE ABOVE

| ORDER NO. | MATERIAL | PLATING |
|-----------|----------|---------|
| | | |

SCALE 4:1

SIZE A

NO

C-164761

REV A

| DR | DATE | DR | DATE |
|----------------|------|----|------|
| R.M.B./18.1.78 | | | |
| | | | |

NAME 2 Pos. FEMALE CONN. for COMMERCIAL INTERCONNECTION SYSTEM 5.0mm PITCH Bottom entry