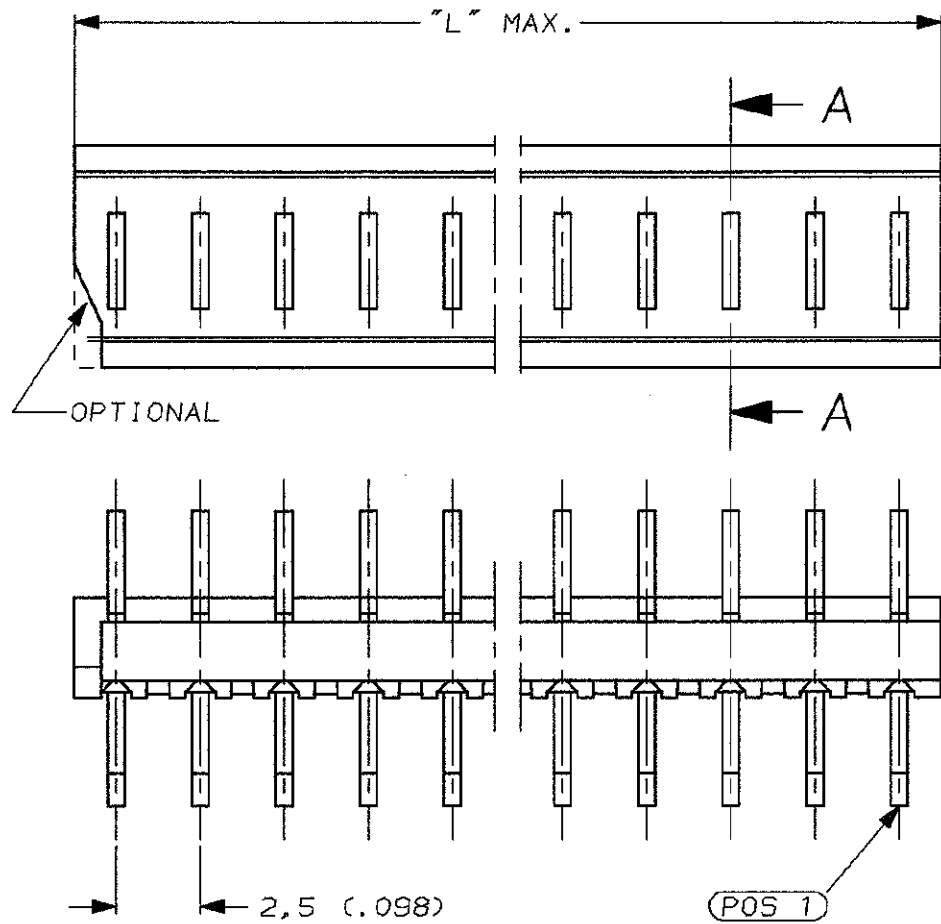
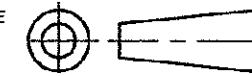


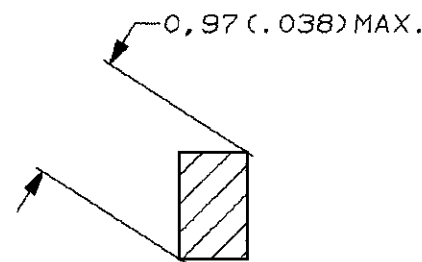
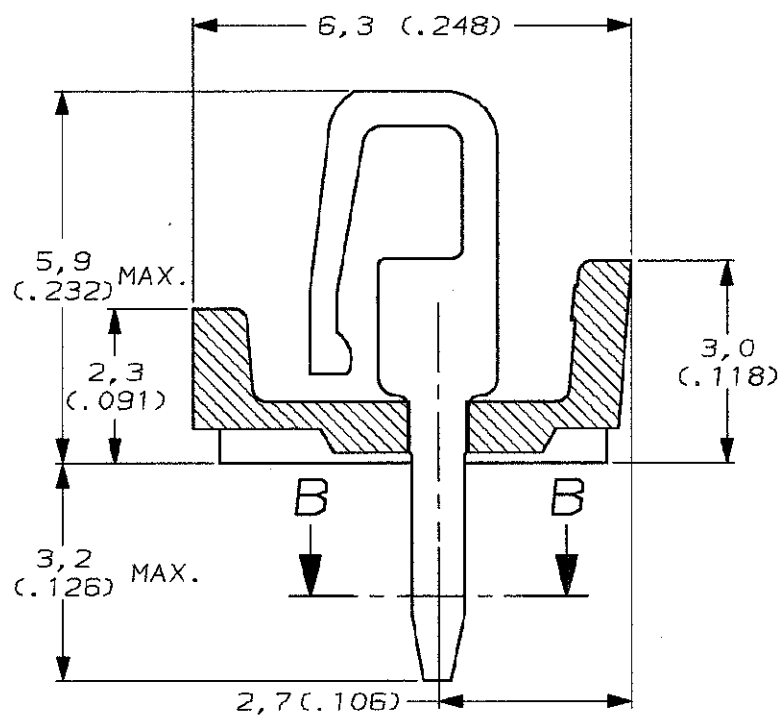
DO NOT SCALE
DIMENSIONS IN mm

METRIC

THIRD ANGLE
PROJECTION



PARTNUMBER	NUMBER OF POS.	"L" MAX.	
		mm	INCH
0-164713-2	2	5,0	.197
0-164713-3	3	7,5	.295
0-164713-4	4	10,0	.394
0-164713-5	5	12,5	.492
0-164713-6	6	15,0	.591
0-164713-7	7	17,5	.689
0-164713-8	8	20,0	.787
0-164713-9	9	22,5	.886
1-164713-0	10	25,0	.984
1-164713-1	11	27,5	1.083
1-164713-2	12	30,0	1.181
1-164713-3	13	32,5	1.280
1-164713-4	14	35,0	1.378
1-164713-5	15	37,5	1.476
1-164713-6	16	40,0	1.575
1-164713-7	17	42,5	1.673
1-164713-8	18	45,0	1.772
1-164713-9	19	47,5	1.870
2-164713-0	20	50,0	1.969



HOUSING: PBT 20% GLASSFILLED				SEE TABLE	
CONTACT: TIN-LEAD (93/7) OVER NICKEL PLATED BRASS					
MATERIAL				PARTNUMBER	
-	-	-	-	CUSTOMER DRAWING FOR REFERENCE ONLY WILL NOT BE UPDATED	
-	-	-	-	© COPYRIGHT 19- BY AMP HOLLAND B.V. ALL INTERNATIONAL RIGHTS RESERVED. AMP PRODUCTS MAY BE COVERED BY U.S. AND FOREIGN AND/OR PATENTS PENDING. THIS DRAWING IS UNPUBLISHED RELEASED FOR PUBLICATION -19-	
-	-	-	-	AMP AMP HOLLAND B.V. 's-Hertogenbosch, The Netherlands.	
K	EH-1081-97	D.K.	R.H.	06 OCT 96	
J	EH-0777-96	D.K.	Hvd	04 JUL 96	
LTR.	REVISION RECORD	DR.	CHK.	DATE	
DR.:	D. KESSLER	CHK.:	H. v. DELFT	APP.:	E. LEIJTENS
DATE:	04 JUL 96	DATE:	-	DATE:	-
DWG. No. 164713				REV. LTR. K	
SHEET 1 OF 1				A3	