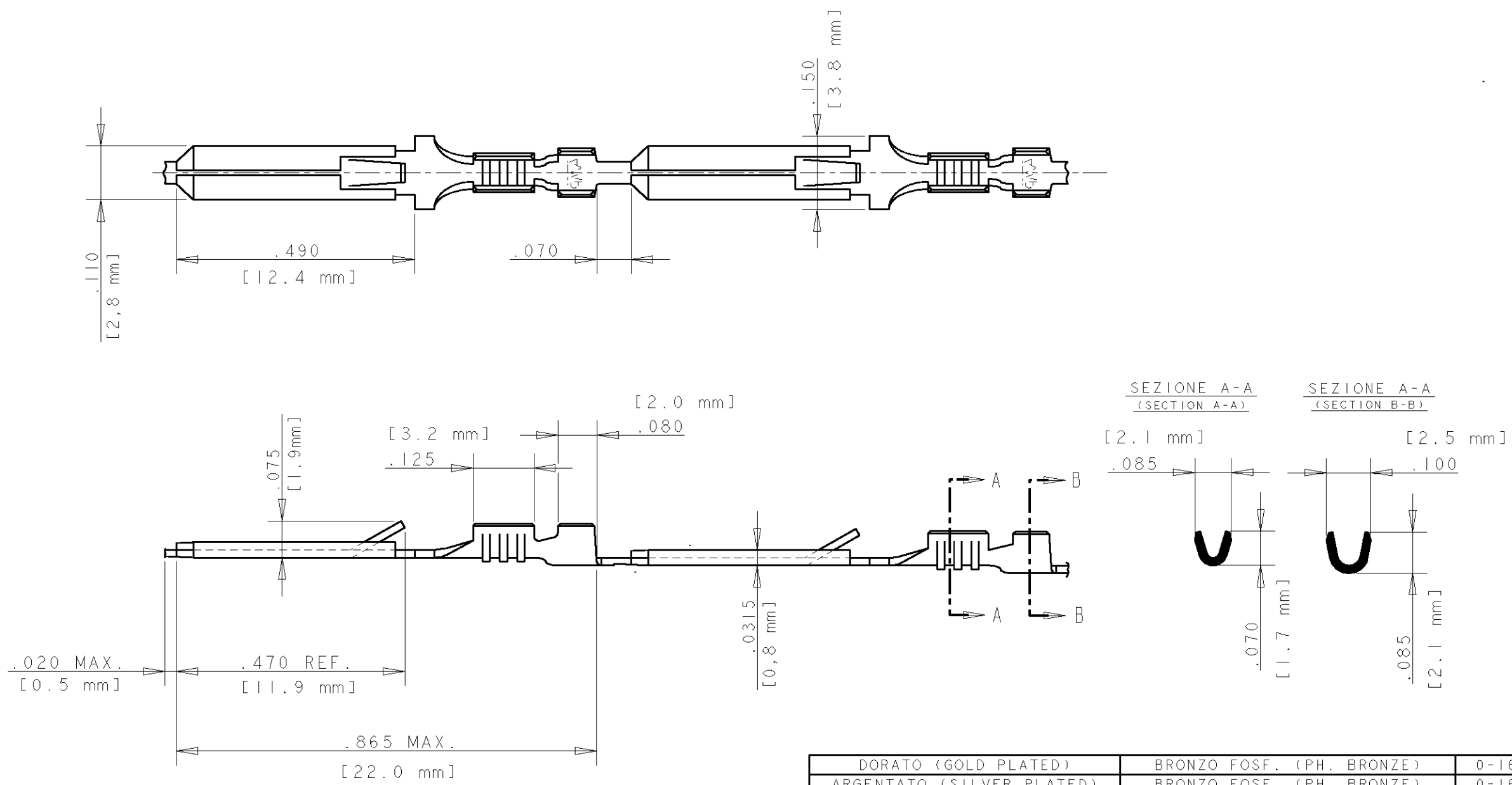


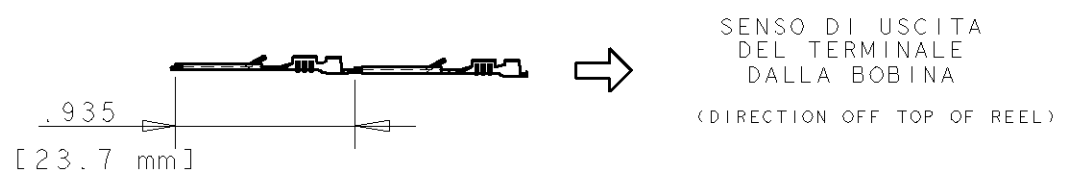
SCALA NON IMPEGNATIVA  
(DO NOT SCALE)  
DIMENSIONI IN mm  
(DIMENSIONS IN mm)

METRIC

PROIEZIONE EUROPEA  
(EUROPEAN PROJECTION)



STATO DI FORNITURA - SCALA 1:1  
(SUPPLY CONDITION - SCALE 1:1)



DORATO (GOLD PLATED)	BRONZO FOSF. (PH. BRONZE)	0-160781-6
ARGENTATO (SILVER PLATED)	BRONZO FOSF. (PH. BRONZE)	0-160781-5
PRE TIN PLATED	BRONZO FOSF. (PH. BRONZE)	0-160781-4
TIN PLATED	BRONZO FOSF. (PH. BRONZE)	0-160781-3
TIN PLATED	BRONZO FOSF. (PH. BRONZE)	0-160781-2
NUDO (UNPLATED)	BRONZO FOSF. (PH. BRONZE)	0-160781-1
FINITURA / COLORE (FINISH / COLOUR)	MATERIALE (MATERIAL)	NUMERO (PART NUMBER)
	CUSTOMER DWG. FOR REFERENCE ONLY	DISEGNO PER CLIENTE SOLO PER RIFERIMENTO
	THIS DRAWING IS UNPUBLISHED - RELEASE FOR PUBLICATION 19	
	© COPYRIGHT 19 BY AMP INCORPORATED, HARRISBURG, PA. ALL INTERNATIONAL RIGHT RESERVED. AMP PRODUCTS MAY BE COVERED BY U.S. AND FOREIGN PATENT AND/OR PATENT PENDING	
	TOLLERANZE: SE NON DIVERSAMENTE SPECIFICATO (TOLERANCES: UNLESS OTHERWISE SPECIFIED)	DIAM. ISOLANTE (INS. DIA. RANGE) 0.9-1.4
		RANGO FILO (WIRE RANGE) 0.12-0.22 mm <sup>2</sup>
		SCALA (SCALE) 4:1
	ANGOLI (ANGLES) ± 0.3	<b>AMP</b> Tyco Electronic AMP Barcelona, Spain
T	ES00-0136-02	JL 90CT02
S	ES00-0065-01	JC 19JUN01
R	ES00-0043-01	JC 15MAY01
P	REVISED AND REDRAWN ET00-0157-99	H.Y. 07 JUN 1999
REV. (REV. LTR.)	REVISIONI (REVISION RECORD)	DIS. DATA (DR. DATE)
		APP. (APP.)
		DIS. H. YAALI (DR.) 27 MAY 99
		CONT. C. TARTARI (CHK) 27 MAY 99
		DESCRIZIONE (DESCRIPTION) FASTIN-FASTON® Connector .110" sr. TAB CONTACT
	LOC. SIZE NUMERO (DWG NO.)	REV. FOGLIO (SHEET)
	ALA3 C-160781	T 1 OF 1