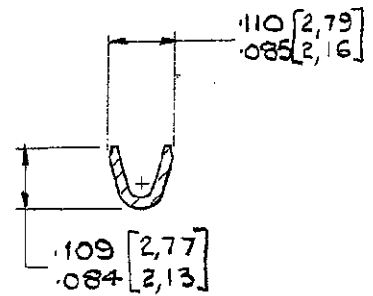
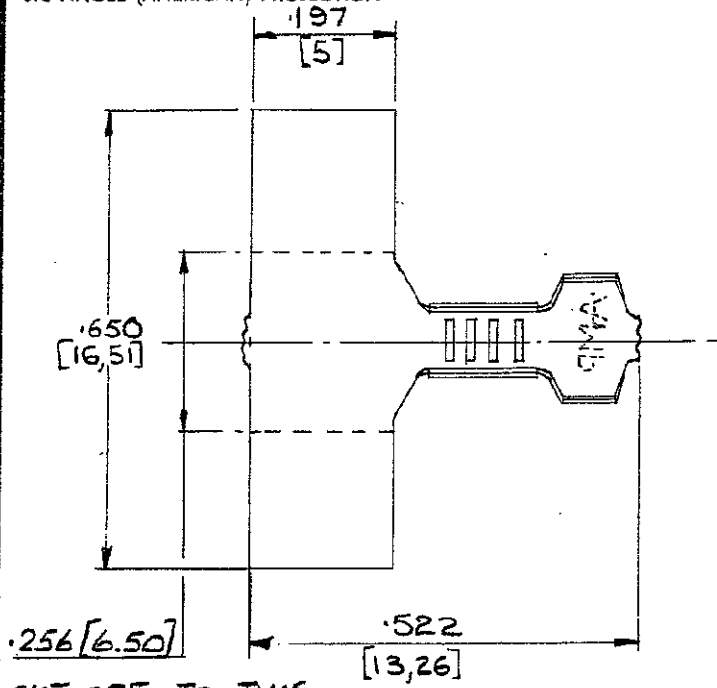


NUMBER  
C-151688

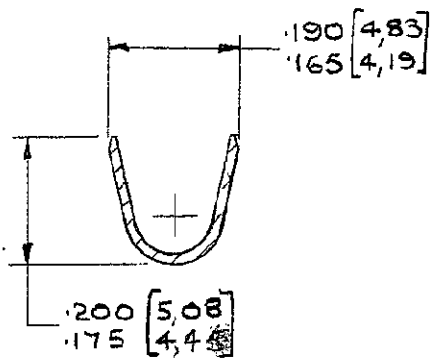
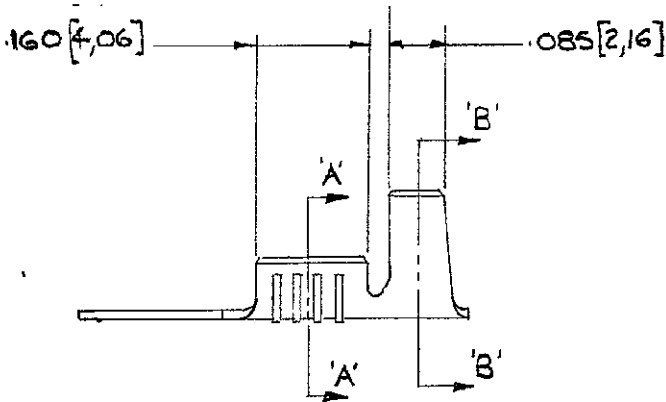
3rd ANGLE (AMERICAN) PROJECTION

DIMENSIONS IN INCHES. DO NOT SCALE PRINT  
DIMENSION THUS [ ] IN MM



SECTION A-A

CUT-OFF TO THIS  
DIM. BY APPLICATOR



SECTION B-B

151688-2	NICKEL PLATED	STEEL
151688-1	---	PHOSPHOR BRONZE
PART NO	FINISH	MATERIAL

© AIRCRAFT-MARINE PRODUCTS  
(GREAT BRITAIN) LTD 1967

CUSTOMER COPY  
REFERENCE ONLY

MATERIAL AND FINISH  
.014 [0.36] STOCK



AIRCRAFT-MARINE PRODUCTS  
(GREAT BRITAIN) LTD,  
STANMORE, MIDDX.

B 256 ADDED  
-2 ADDED DR 17/1/67

A TITLE CHANGED TO  
REAR CONTACT RA 4/8/67

SEE TABLE

CLASS TYPE

LTR REVISION RECORD DR CHK DATE

WIRE - RANGE - INSULATION  
22-18 | 100/254/MAK  
TOLERANCE EXCEPT AS NOTED  
± .015 [0.4] ± 1° 0'

SCALE LOC NO REV  
4:1 E A C-151688 B

DR A THOMPSON 1/2/67 DE [Signature] 12/67  
CHK [Signature] AP [Signature]

NAME CONTACT

FRONT VIEW