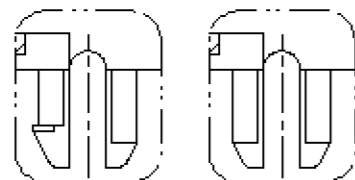
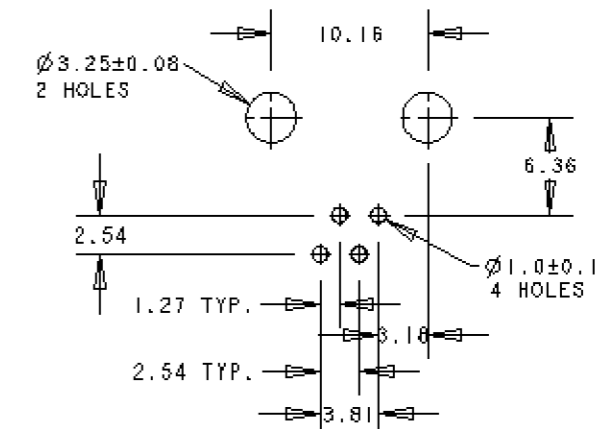
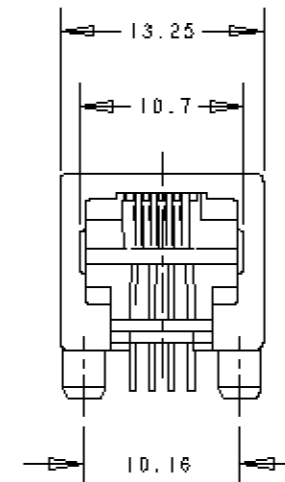
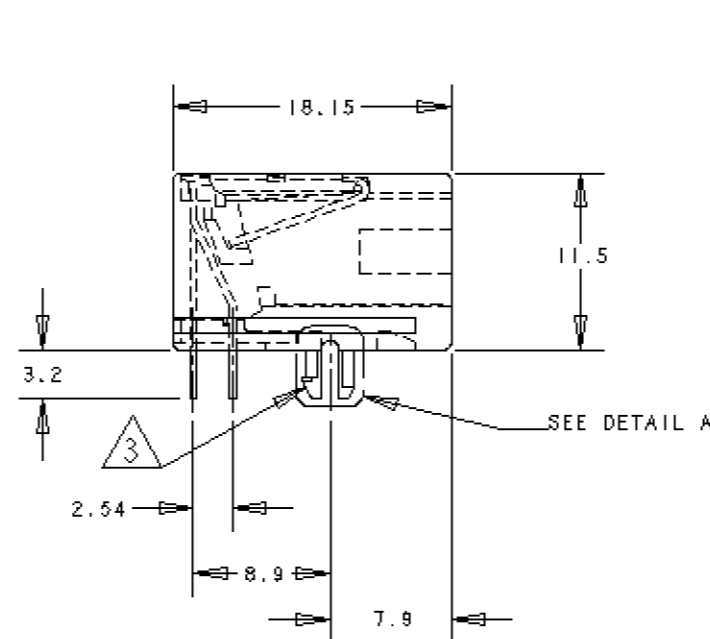
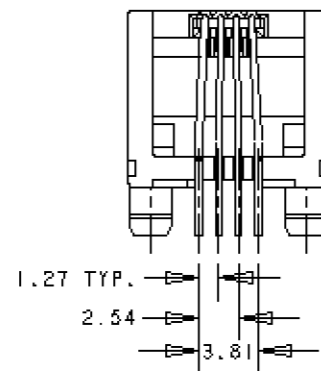
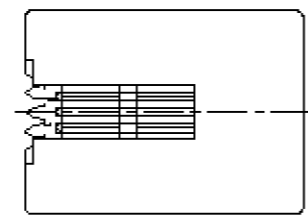
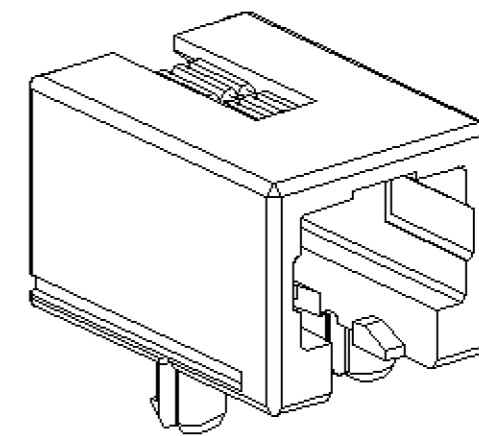


THIS DRAWING IS UNPUBLISHED. RELEASED FOR PUBLICATION .19 .

© COPYRIGHT 19 BY AMP INCORPORATED. ALL RIGHTS RESERVED.

LOC	DIST	REVISIONS			
P	LTR	DESCRIPTION	DATE	DWH	APVD
DY	-	D	REVISED FP00-0155-00	30JAN01	LWY ET



11394-1 11394-2

DETAIL A
SCALE 4:1

OBSOLETE

SUGGESTED PCB LAYOUT
COMPONENT SIDE
PCB THICKNESS: 1.6mm NOMINAL

1. GENERAL TOLERANCE ON PRODUCT DIMENSION ± 0.15 UNLESS OTHERWISE SPECIFIED.
2. GENERAL TOLERANCE ON PCB LAYOUT ± 0.05 UNLESS OTHERWISE SPECIFIED.
- 3 THE BOARD-LOCK IS ONLY FOR 11394-1.

LCP	0-0011394-2
PBT	0-0011394-1
HSG MATERIAL	PART NUMBER

THIS DRAWING IS A CONTROLLED DOCUMENT FOR AMP INCORPORATED. IT IS SUBJECT TO CHANGE AND THE CONTROLLING ENGINEERING ORGANIZATION SHOULD BE CONTACTED FOR THE LATEST REVISION.		DWH A. CHEN	AMP AMP MANUFACTURING (SINGAPORE) PTE. LTD.
DIMENSIONS: mm		CHK G. LIN	
TOLERANCES UNLESS OTHERWISE SPECIFIED: 0 PLC \pm 1 PLC \pm 2 PLC \pm 3 PLC \pm 4 PLC \pm ANGLES \pm		APVD SEI LEONG	NAME MODULAR JACK, SIDE ENTRY, 6P4C, LOW PROFILE, PCB MOUNTING
MATERIAL HOUSING: UL94V-0 BLACK CONTACT INSERT: 15 GF PBT UL94V-0, GREY CONTACT: PH BRONZE WIRE		PRODUCT SPEC -	
FINISH CONTACT AREA: 1.2 UM MIN SEL GOLD OVER 1.2 UM MIN NICKEL SOLDER TINE: 2.5UM MIN TIN-LEAD OVER 1.2UM MIN NICKEL		APPLICATION SPEC -	CAGE CODE 00779
		WEIGHT -	DRAWING NO C-11394
		CUSTOMER DRAWING	SCALE - SHEET 1 OF 1 REV D