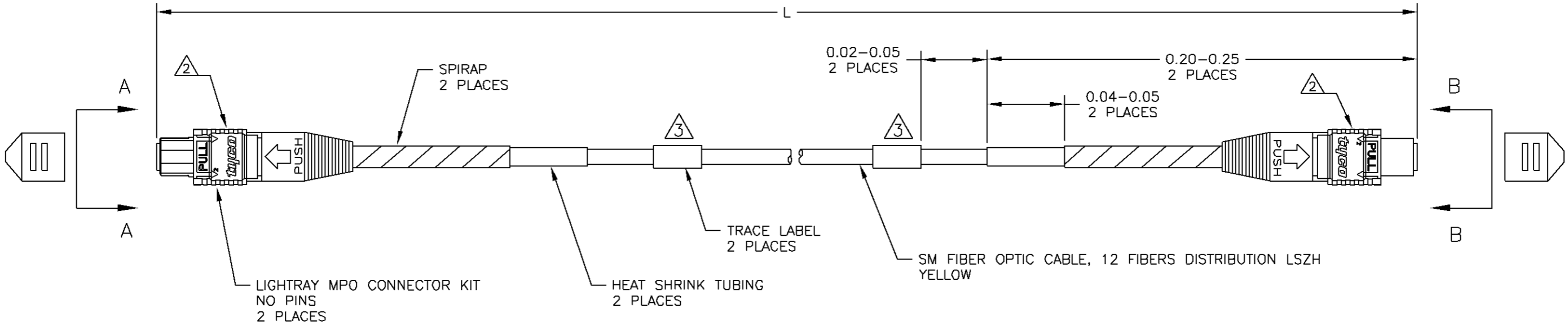


LOC	DIST	REVISIONS					
HG	-	P	LTR	DESCRIPTION	DATE	OWN	APVD
		G		ECR-09-020171	17SEP09	SBY	RZ



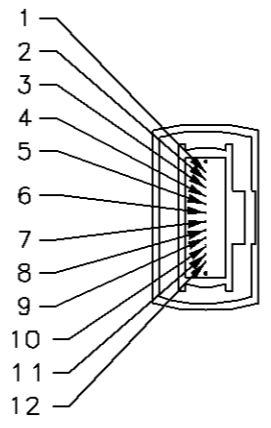
PAIRS FLIPPED

1. INSERTION LOSS OF CABLE ASSEMBLY < 1.0dB @1310nm & 1550nm  
 PLUS CABLE ATTENUATION 0.7dB/KM  
 RETURN LOSS > 50dB @1310nm.

- 2 WHITE MARK ON CONNECTOR BODY INDICATES FIBER 1 SIDE.
- 3 PRINT THE LABEL FOR THE OTHER PARTS AS SHOWN:

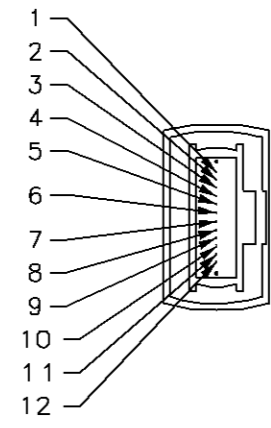


- 4 LSZH CABLE SHALL COMPLY WITH THE FOLLOWING REQUIREMENTS:
- FIRE PROPAGATION: IEC 60332-2 OR -1
  - SMOKE EMISSION: IEC 601034
  - ACID GAS EMISSION: IEC 60754
  - TOXICITY: NES 713



VIEW A-A  
NOT TO SCALE

FIBER #	COLOR
1	BLUE
2	ORANGE
3	GREEN
4	BROWN
5	SLATE
6	WHITE
7	RED
8	BLACK
9	YELLOW
10	VIOLET
11	ROSE
12	AQUA



VIEW B-B  
NOT TO SCALE

FIBER #	COLOR
1	ORANGE
2	BLUE
3	BROWN
4	GREEN
5	WHITE
6	SLATE
7	BLACK
8	RED
9	VIOLET
10	YELLOW
11	AQUA
12	ROSE

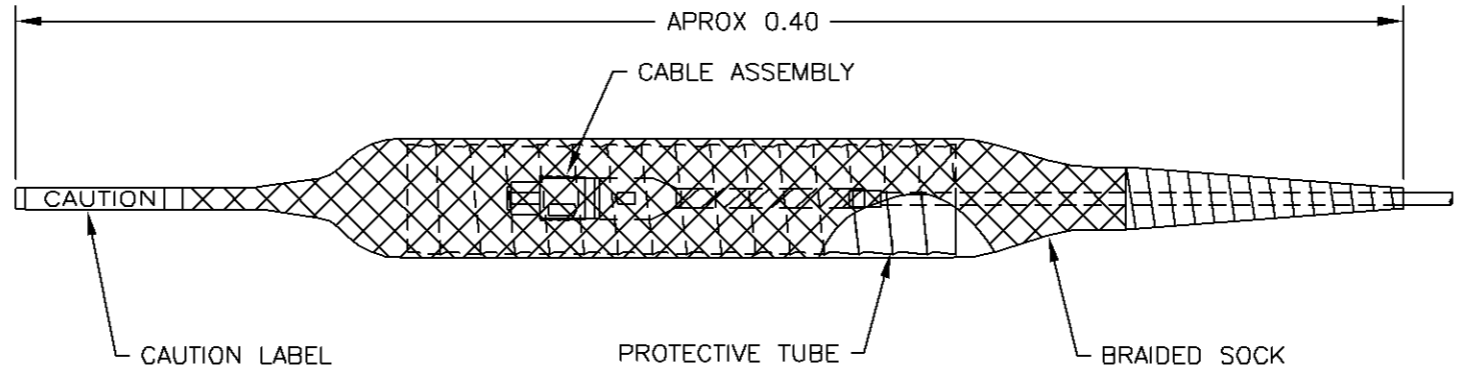
LIGHTRAY CONNECTOR FIBER PATH

THIS DRAWING IS A CONTROLLED DOCUMENT.		OWN	10NQV05	Tyco Electronics Corporation	
		CHK	10NQV05	Tyco Electronics Corporation	
		APVD	10NQV05	Shanghai, China	
		NAME	RICHARD ZHAO		
		PRODUCT SPEC	MPO TO MPO TRUNK OS2 12F LSZH P/FLIPPED		
		APPLICATION SPEC			
		SIZE	CAGE CODE	DRAWING NO	RESTRICTED TO
		WEIGHT	A2	00779	C-1568683
		CUSTOMER DRAWING	SCALE	SHEET	REV
			NTS	1 OF 2	G

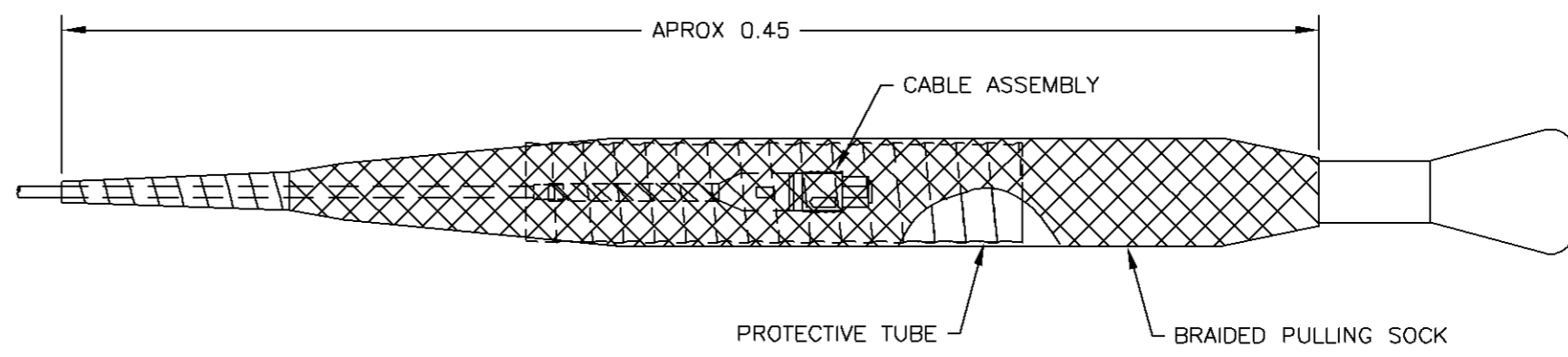
THIS DRAWING IS UNPUBLISHED. RELEASED FOR PUBLICATION  
 © COPYRIGHT BY TYCO ELECTRONICS CORPORATION. ALL RIGHTS RESERVED.

LOC	DIST	REVISIONS		
HG	-	P	LTR	DESCRIPTION
		-	-	SEE SHEET 1
				DATE
				OWN
				APVD

PART NUMBER	L (meter)	
	Min	Max
0-1568683-1	10.00	10.30
0-1568683-2	20.00	20.40
0-1568683-3	30.00	30.60
0-1568683-4	40.00	40.80
0-1568683-5	50.00	51.00
0-1568683-6	60.00	61.20
0-1568683-7	70.00	71.40
0-1568683-8	80.00	83.00
0-1568683-9	90.00	93.00
1-1568683-0	100.0	103.0
1-1568683-1	110.0	115.5
1-1568683-2	120.0	126.0
1-1568683-3	130.0	136.5
1-1568683-4	140.0	147.0
1-1568683-5	150.0	157.5
1-1568683-6	160.0	168.0
1-1568683-7	170.0	178.5
1-1568683-8	180.0	189.0
1-1568683-9	190.0	199.5
2-1568683-0	200.0	210.0
2-1568683-1	210.0	220.5
2-1568683-2	220.0	231.0
2-1568683-3	230.0	241.5
2-1568683-4	240.0	252.0
2-1568683-5	250.0	262.5
2-1568683-6	260.0	273.0
2-1568683-7	270.0	283.5
2-1568683-8	280.0	294.0
2-1568683-9	290.0	304.5
3-1568683-0	300.0	315.0
4-1568683-1	15.00	15.30
4-1568683-2	25.00	25.50
4-1568683-3	35.00	35.70



PROTECTIVE COVER  
BOTTOM END



PULLING SOCK  
TOP END

THIS DRAWING IS A CONTROLLED DOCUMENT.		OWN	SHI BI YUN	10NQV05	Tyco Electronics Corporation Shanghai, China
DIMENSIONS: METER		CHK	ALLEN GUMP	10NQV05	
TOLERANCES UNLESS OTHERWISE SPECIFIED:		APVD	RICHARD ZHAO	10NQV05	NAME
0 PLC	± -	PRODUCT SPEC		MPO TO MPO TRUNK OS2 12F LSZH P/FLIPPED	
1 PLC	± -	APPLICATION SPEC		-	
2 PLC	± -	WEIGHT		-	
3 PLC	± -	CUSTOMER DRAWING		-	
4 PLC	± -	SCALE		-	
ANGLES	± -	SHEET		-	
FINISH	-	REV		-	
MATERIAL		SIZE		-	
		CAGE CODE		-	
		DRAWING NO		-	
		RESTRICTED TO		-	
		A2		-	
		00779		-	
		C-1568683		-	
		NTS		-	
		2		-	
		2		-	
		G		-	

1568683