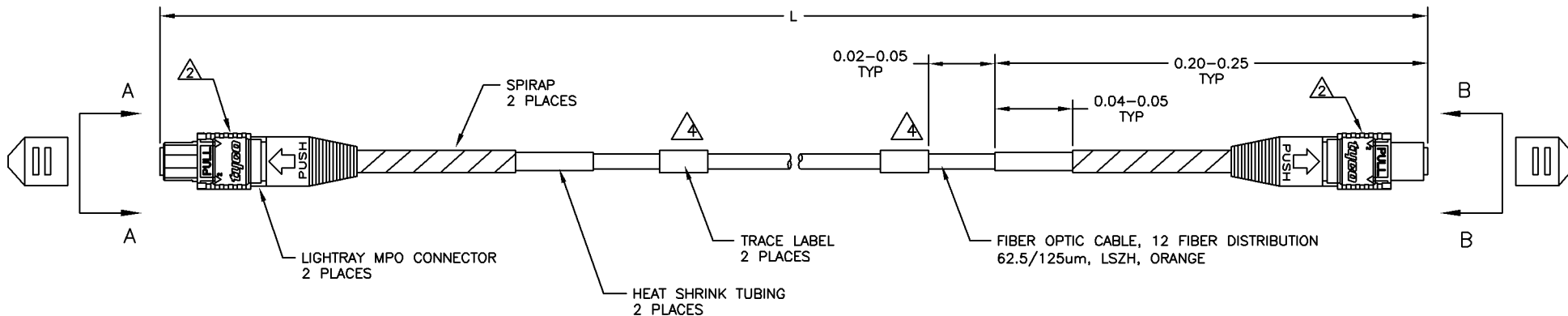


THIS DRAWING IS UNPUBLISHED. RELEASED FOR PUBLICATION
 © COPYRIGHT BY TYCO ELECTRONICS CORPORATION. ALL RIGHTS RESERVED.

LOC	DIST	REVISIONS			
P	LYR	DESCRIPTION	DATE	DM	APD
—	—	—	—	—	—
G		ECO-09-015847	07JUL09	AG	RZ



- LOSS OF CABLE ASSEMBLY < 0.6 dB PER IEC61300-3-4 @850nm PLUS CABLE ATTENUATION 3.5dB/KM.
 LOSS OF CABLE ASSEMBLY <1.5dB OFL @1300nm PLUS CABLE ATTENUATION 1.5dB/KM.
 RETURN LOSS > 20dB @1300nm.

② WHITE MARK ON CONNECTOR BODY INDICATES FIBER 1 SIDE.

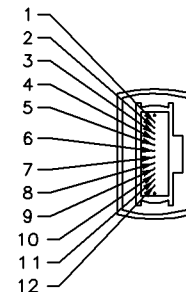
③ PRINT THE LABEL FOR THE OTHER PARTS AS SHOWN:



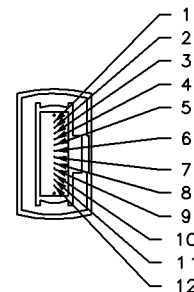
- LSZH CABLE SHALL COMPLY WITH THE FOLLOWING REQUIREMENTS:
 - FIRE PROPAGATION: IEC 60332-2 OR -1
 - SMOKE EMISSION: IEC 601034
 - ACID GAS EMISSION: IEC 60754
 - TOXICITY: NES 713

PAIRS FLIPPED

FIBER #	COLOR
1	BLUE
2	ORANGE
3	GREEN
4	BROWN
5	SLATE
6	WHITE
7	RED
8	BLACK
9	YELLOW
10	VIOLET
11	ROSE
12	AQUA



VIEW A-A
NOT TO SCALE



VIEW B-B
NOT TO SCALE

FIBER #	COLOR
1	ORANGE
2	BLUE
3	BROWN
4	GREEN
5	WHITE
6	SLATE
7	BLACK
8	RED
9	VIOLET
10	YELLOW
11	AQUA
12	ROSE

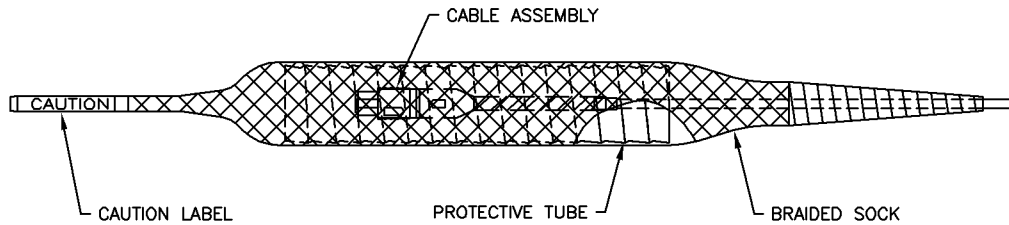
LIGHTRAY CONNECTOR FIBER PATH

THIS DRAWING IS A CONTROLLED DOCUMENT.		DWG: SHI BI YUN 10NDV05 CHK: ALLEN GUMP 10NDV05 APD: RICHARD ZHAO 10NDV05	Tyco Electronics Corporation Shanghai, China
DIMENSIONS: METER 	TOLERANCES UNLESS OTHERWISE SPECIFIED: 0 PLC ± - 1 PLC ± - 2 PLC ± - 3 PLC ± - 4 PLC ± - ANGLES ± -	NAME: MPO TO MPO TRUNK OM1 12F LSZH P/FLIPPED PRODUCT SPEC: - APPLICATION SPEC: -	SIZE: A2 CASE CODE: 00779 DRAWING NO: G=1568663
MATERIAL: -	FINISH: -	WEIGHT: -	RESTRICTED TO: -
CUSTOMER DRAWING		SCALE: NTS	SHEET 1 OF 2 REV G

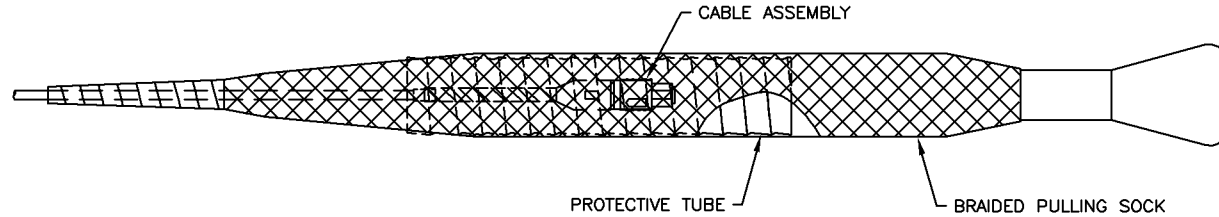
THIS DRAWING IS UNPUBLISHED. RELEASED FOR PUBLICATION
 © COPYRIGHT BY TYCO ELECTRONICS CORPORATION. ALL RIGHTS RESERVED.

LOC	DIST	REVISIONS					
		P	LYR	DESCRIPTION	DATE	DRN	APD
HG	-	-	-	SEE SHEET 1	-	-	-

PART NUMBER	"L" (meter)	
	Min	Max
0-1568663-1	10.00	10.30
0-1568663-2	20.00	20.40
0-1568663-3	30.00	30.60
0-1568663-4	40.00	40.80
0-1568663-5	50.00	51.00
0-1568663-6	60.00	61.20
0-1568663-7	70.00	71.40
0-1568663-8	80.00	83.00
0-1568663-9	90.00	93.00
1-1568663-0	100.0	103.0
1-1568663-1	110.0	115.5
1-1568663-2	120.0	126.0
1-1568663-3	130.0	136.5
1-1568663-4	140.0	147.0
1-1568663-5	150.0	157.5
1-1568663-6	160.0	168.0
1-1568663-7	170.0	178.5
1-1568663-8	180.0	189.0
1-1568663-9	190.0	199.5
2-1568663-0	200.0	210.0
2-1568663-1	210.0	220.5
2-1568663-2	220.0	231.0
2-1568663-3	230.0	241.5
2-1568663-4	240.0	252.0
2-1568663-5	250.0	262.5
2-1568663-6	260.0	273.0
2-1568663-7	270.0	283.5
2-1568663-8	280.0	294.0
2-1568663-9	290.0	304.5
3-1568663-0	300.0	315.0
4-1568663-1	15.00	15.30
4-1568663-2	25.00	25.50
4-1568663-3	35.00	35.70
4-1568663-5	55.00	56.10
4-1568663-6	65.00	66.30



PROTECTIVE COVER
BOTTOM END



PULLING SOCK
TOP END

THIS DRAWING IS A CONTROLLED DOCUMENT.		DRW: SHI BI YUN 10NDVDS	Tyco Electronics Corporation Shanghai, China	
DIMENSIONS: METER		CHK: ALLEN GUMP 10NDVDS	Tyco Electronics	
TOLERANCES UNLESS OTHERWISE SPECIFIED:		APD: RICHARD ZHAO 10NDVDS	NAME: MPO TO MPO TRUNK OM1 12F LSZH P/FLIPPED	
0 PLC ± -		PRODUCT SPEC	-	
1 PLC ± -		APPLICATION SPEC	-	
2 PLC ± -		SIZE	A2	
3 PLC ± -		CAGE CODE	00779	
4 PLC ± -		DRAWING NO	G=1568663	
ANGLES ± -		RESTRICTED TO	-	
MATERIAL	FINISH	WEIGHT	-	
-		CUSTOMER DRAWING	SCALE	NTS
		SHEET	2	OF 2
		REV	G	