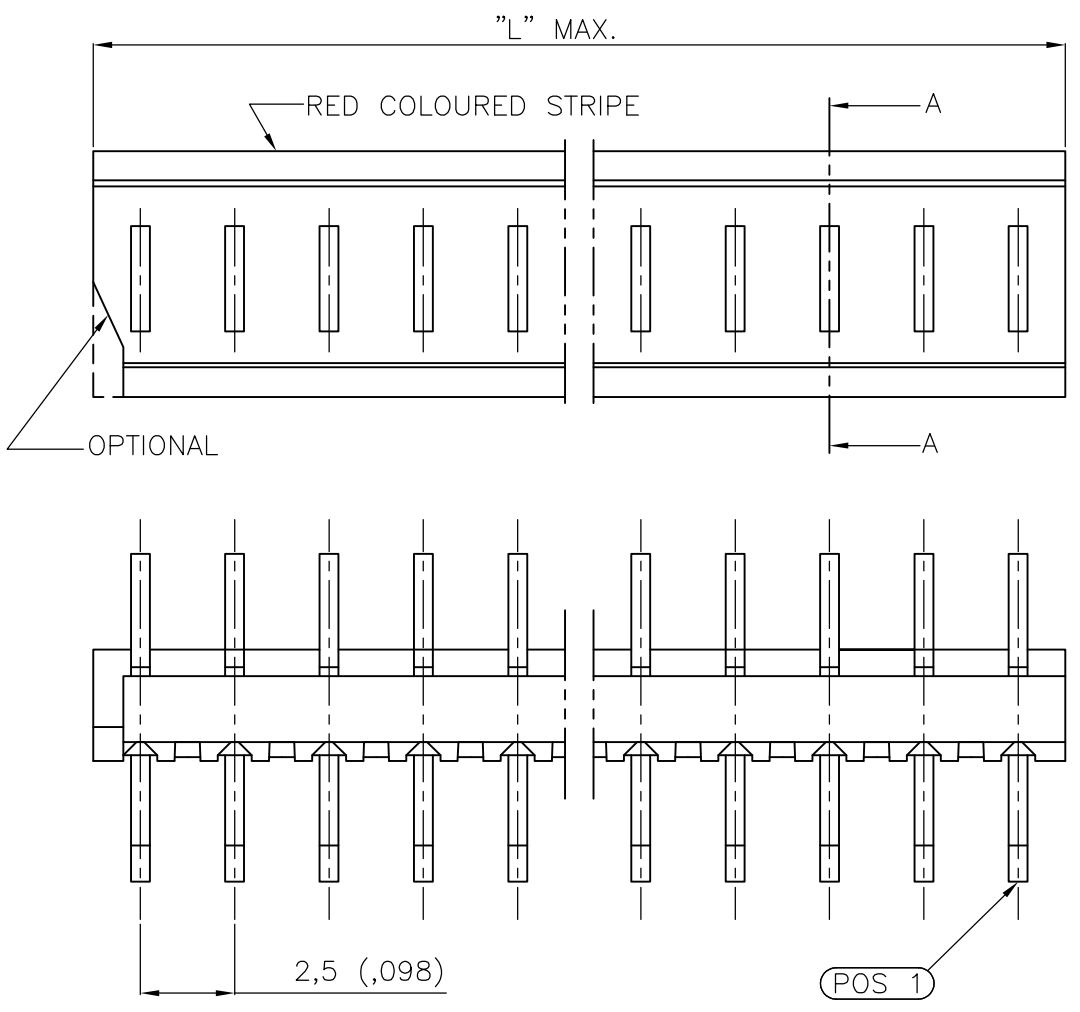
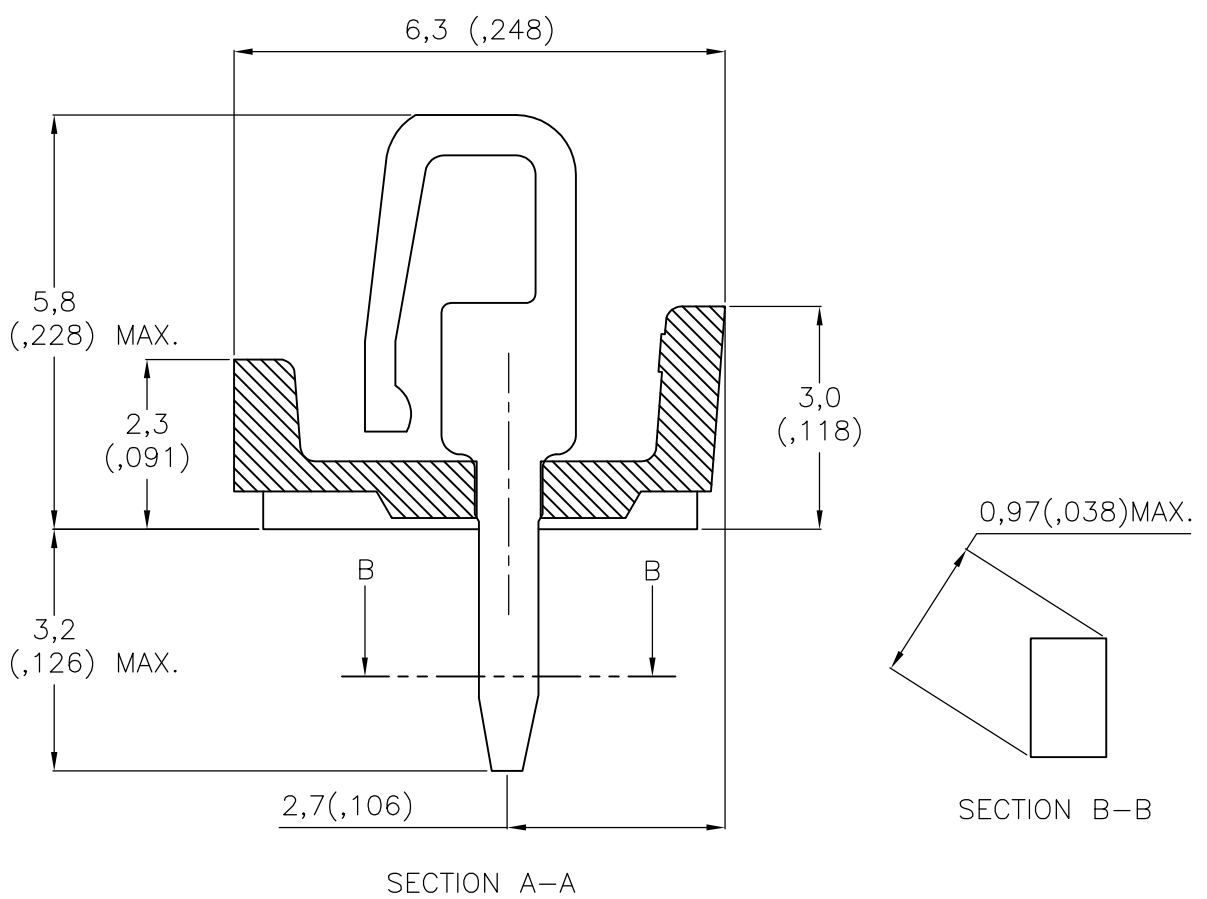


THIS DRAWING IS UNPUBLISHED. RELEASED FOR PUBLICATION  
 © COPYRIGHT BY TYCO ELECTRONICS CORPORATION. ALL INTERNATIONAL RIGHTS RESERVED.

LOC	DIST	REVISIONS					
H	-	P	LTR	DESCRIPTION	DATE	DWN	APVD
			K	-	-	-	-
		K1		ECR-08-014307	19-09-08	AEG	WRV



	PARTNUMBER	NUMBER OF POS.	"L" MAX.	
			mm	INCH
OBSOLETE	0-161500- 2	2	5,0	.197
	0-161500- 3	3	7,5	.295
	0-161500- 4	4	10,0	.394
	0-161500- 5	5	12,5	.492
	0-161500- 6	6	15,0	.591
	0-161500- 7	7	17,5	.689
	0-161500- 8	8	20,0	.787
	0-161500- 9	9	22,5	.886
	1-161500- 0	10	25,0	.984
	1-161500- 1	11	27,5	1.083
	1-161500- 2	12	30,0	1.181
	1-161500- 3	13	32,5	1.280
	1-161500- 4	14	35,0	1.378
	1-161500- 5	15	37,5	1.476
	1-161500- 6	16	40,0	1.575
	1-161500- 7	17	42,5	1.673
	1-161500- 8	18	45,0	1.772
	1-161500- 9	19	47,5	1.870
	2-161500- 0	20	50,0	1.969
RESTRICTED	2-161500- 1	21	52,5	2.067
RESTRICTED	2-161500- 3	23	57,5	2.264
RESTRICTED	3-161500- 0	30	75,0	2.953



HOUSING: P.B.T. WITH 20% GLASS FILLED  
 CONTACT: PHOSPHOR-BRONZE TIN-LEAD (93/7) PLATED  
 MATERIAL: SEE TABLE  
 PARTNUMBER: SEE TABLE

THIS DRAWING IS A CONTROLLED DOCUMENT.		DWN D.CAMPSCHROER 17AUG87	Tyco Electronics Corporation 's-Hertogenbosch, Nederland	
DIMENSIONS: mm		CHK D.CAMPSCHROER 18FEB88	Tyco Electronics	
TOLERANCES UNLESS OTHERWISE SPECIFIED:		APVD L.VAN SOEST 22FEB88	NAME	
0 PLC ± -		PRODUCT SPEC	MINI-MATCH MALE CONNECTOR ASSEMBLY 2-20 POS.PITCH 2,5mm	
1 PLC ± -		APPLICATION SPEC	SIZE	RESTRICTED TO
2 PLC ± -		WEIGHT	CAGE CODE	
3 PLC ± -			DRAWING NO	
4 PLC ± -			SCALE	
ANGLES ± -			SHEET	
FINISH			REV	
MATERIAL		CUSTOMER DRAWING		
		A3 00779 C-161500		
		SCALE NTS		
		SHEET 1 OF 1		
		REV K1		