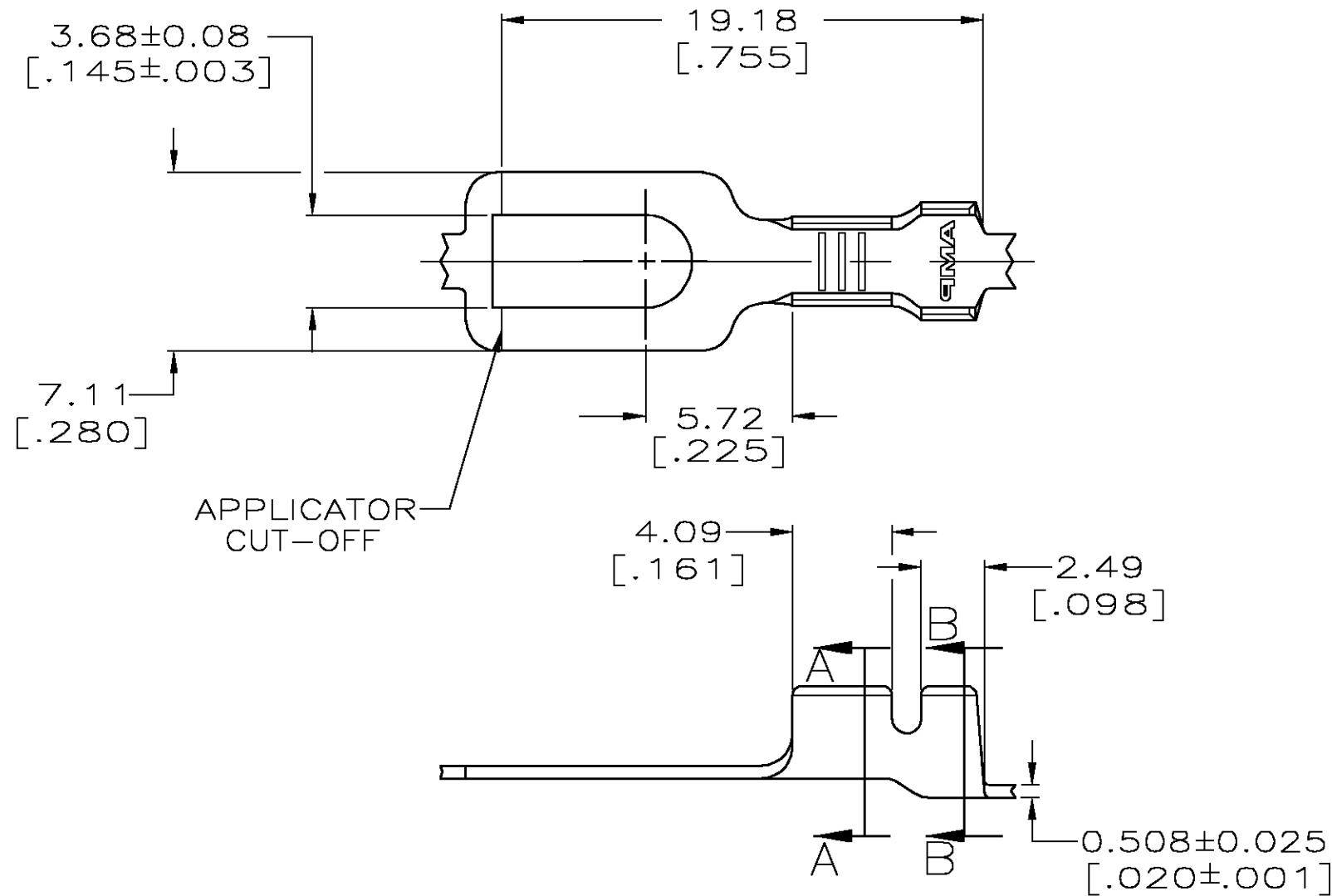
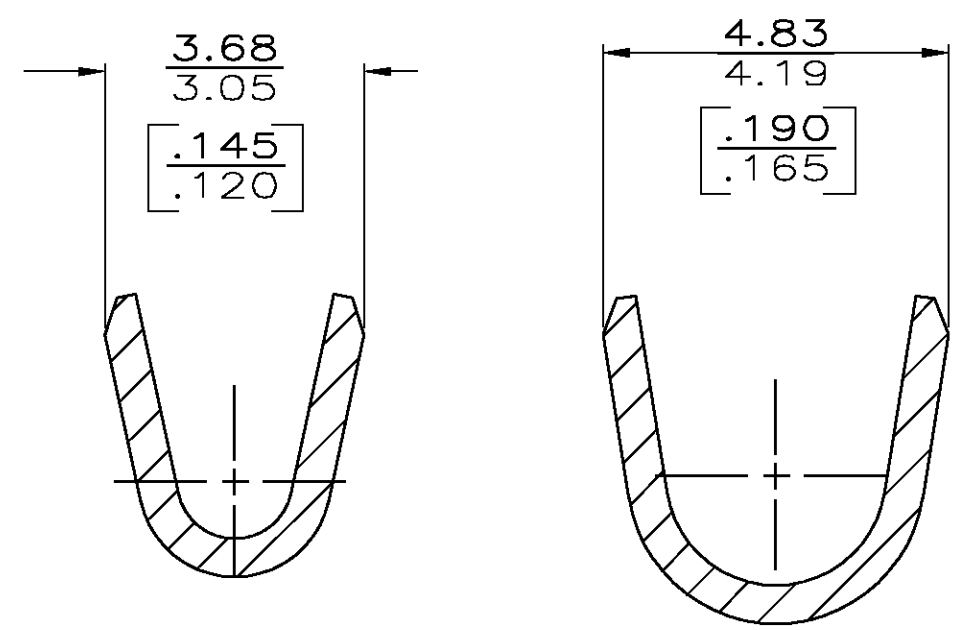


THIS DRAWING IS UNPUBLISHED. RELEASED FOR PUBLICATION  
 © COPYRIGHT BY TYCO ELECTRONICS CORPORATION. ALL RIGHTS RESERVED.

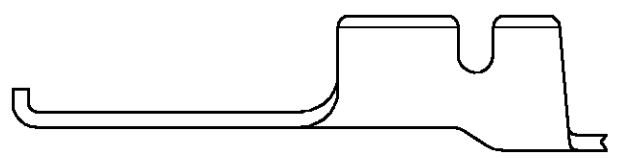
LOC	DIST	REVISIONS			
P	LTR	DESCRIPTION	DATE	DWN	APVD
AF	50	H	REL PER 0G3A-0378-04	25MAY04	JR DD



- 1 CONTINUOUS STRIP ON REEL
- 2 WIRE SIZE IS #20-#16 AWG
- 3 INSULATION RANGE IS 2.54-3.56 [.100-.140] DIA



SECTION A-A SCALE 10:1      SECTION B-B SCALE 10:1



FLANGED IN APPLICATOR

0.002032 [.000080] MIN TIN PLATE	60389-2
—	60389-1
FINISH	PART NUMBER

THIS DRAWING IS A CONTROLLED DOCUMENT.		DWN 16/DEC/97 PHILLIP M FORTNEY	Tyco Electronics Corporation Harrisburg, PA 17105	
DIMENSIONS: MM [INCHES]		CHK 16/DEC/97 JEFF R RUTH		
TOLERANCES UNLESS OTHERWISE SPECIFIED:		APVD 16/DEC/97 GARY YETTER	NAME SPADE	
0 PLC ± - 1 PLC ± - 2 PLC ± 0.25 [.010] 3 PLC ± - 4 PLC ± - ANGLES ± -		PRODUCT SPEC —	SIZE A3	
MATERIAL 082 BRASS		APPLICATION SPEC —	CAGE CODE 00779	DRAWING NO C-60389
FINISH SEE TABLE		WEIGHT —	RESTRICTED TO —	
CUSTOMER DRAWING			SCALE 4:1	SHEET 1 OF 1