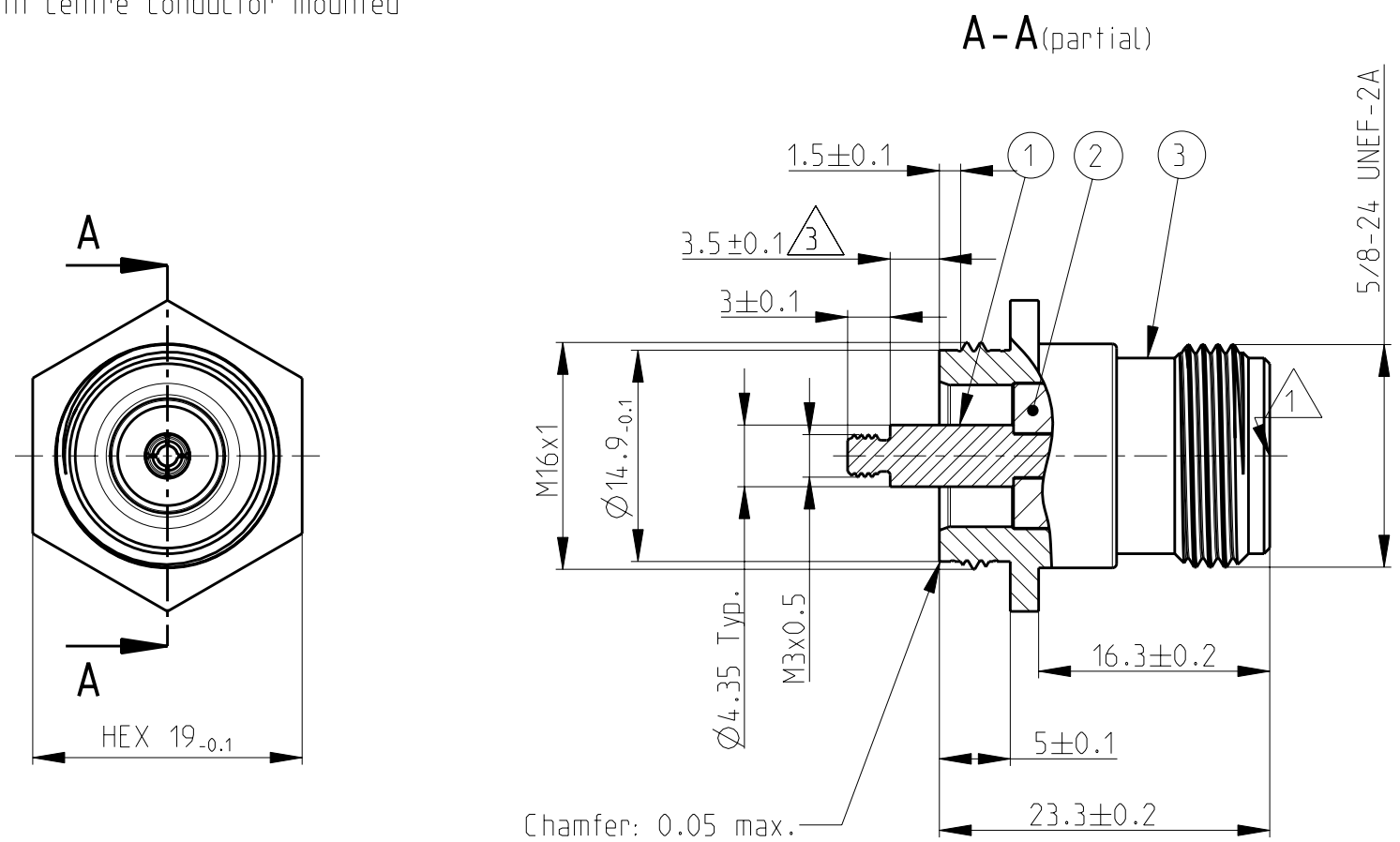


THIS DRAWING IS UNPUBLISHED. RELEASED FOR PUBLICATION 2000
 © COPYRIGHT 2000 BY TYCO ELECTRONICS CORPORATION. ALL RIGHTS RESERVED.

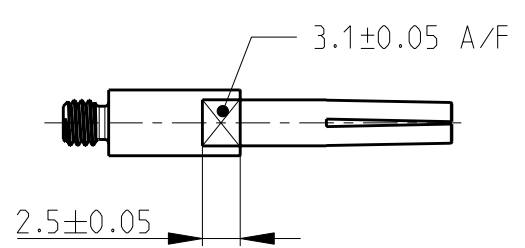
LOC	DIST	REVISIONS			
P	LTR	DESCRIPTION	DATE	DWN	APVD
GW	-	A	First issue	28JUL2006	AM DB

View with centre conductor mounted

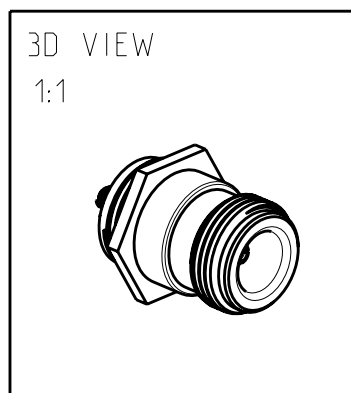


- 1 Interface according to IEC 169-16.
- 2) Item 1 is supplied loose.
- 3 In case of assembled centre conductor.
- 4) Centre conductor not captivated against rotation.
- 5 Centre conductor without TUF-LOK®.
- 6 Centre conductor with TUF-LOK® around M3 thread.
- 7 Centre conductor with TUF-LOK® spot on M3 thread.
- 8) TUF-LOK® applied by Kerb Konus GmbH, Germany.

Centre conductor view



1460118-1	5	3	1	BODY	BRASS	min. 2 µm CuZnSn
1460118-2	6	2	1	DIELECTRIC	PTFE	NONE
1460118-3	7	1	1	CENTRE CONDUCTOR	BERYLLIUM COPPER	min. 5 µm Ag over 1-2 µm Cu
PART NR	ITEM NR	PIECES	DESCRIPTION	MATERIAL	PLATING	



THIS DRAWING IS A CONTROLLED DOCUMENT FOR TYCO ELECTRONICS CORPORATION. IT IS SUBJECT TO CHANGE AND THE CONTROLLING ENGINEERING ORGANIZATION SHOULD BE CONTACTED FOR THE LATEST REVISION.

DIMENSIONS:	TOLERANCES UNLESS OTHERWISE SPECIFIED:
mm	0 PLC ± DIN ISO
	1 PLC ± 2768 mK
	2 PLC ±
	3 PLC ±
	4 PLC ±
	ANGLES ±
MATERIAL see table	FINISH see table

DWN F. Hellin 02APR2003	Tyco Electronics Oostkamp - Belgium
CHK F. Hellin 08APR2003	
APVD R. Leeman 08APR2003	
PRODUCT SPEC 108-90046	NAME Type N Screw-In Jack
APPLICATION SPEC -	
WEIGHT ±27g	SIZE A3 CAGE CODE 00779 DRAWING NO C-1460118 RESTRICTED TO -
	SCALE 2:1 SHEET 1 OF 1 REV A