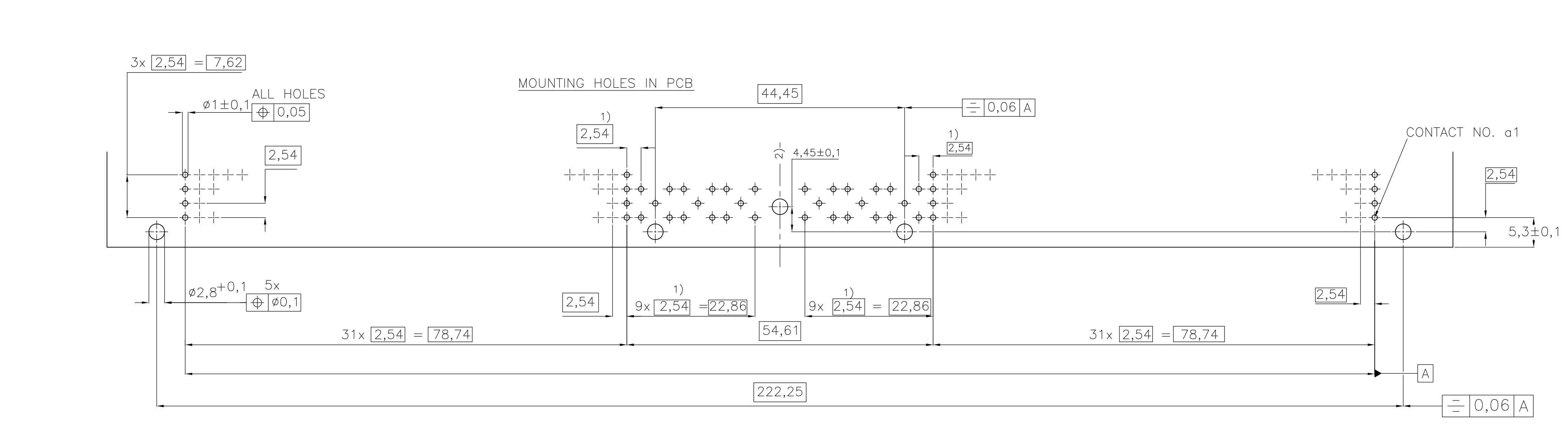
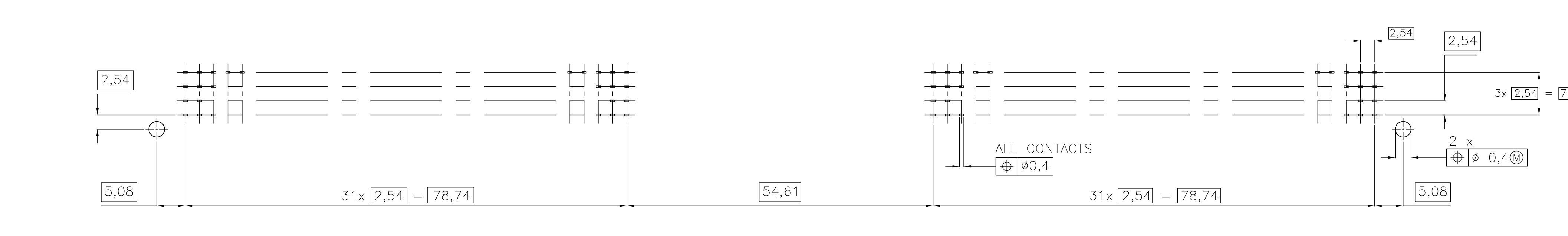
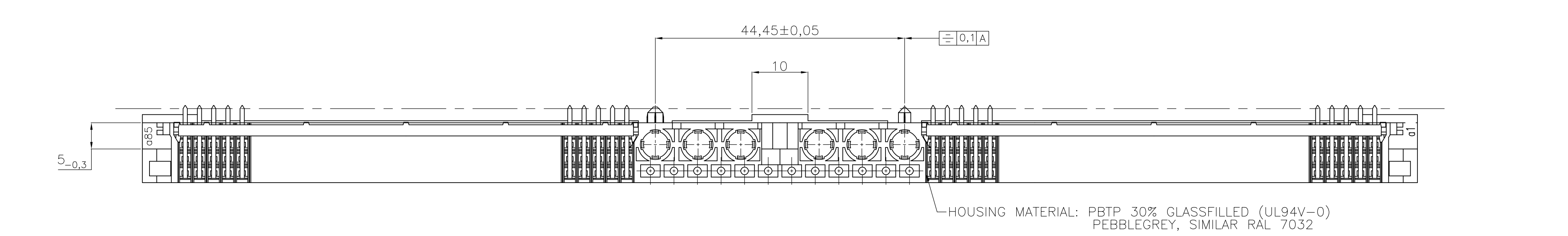
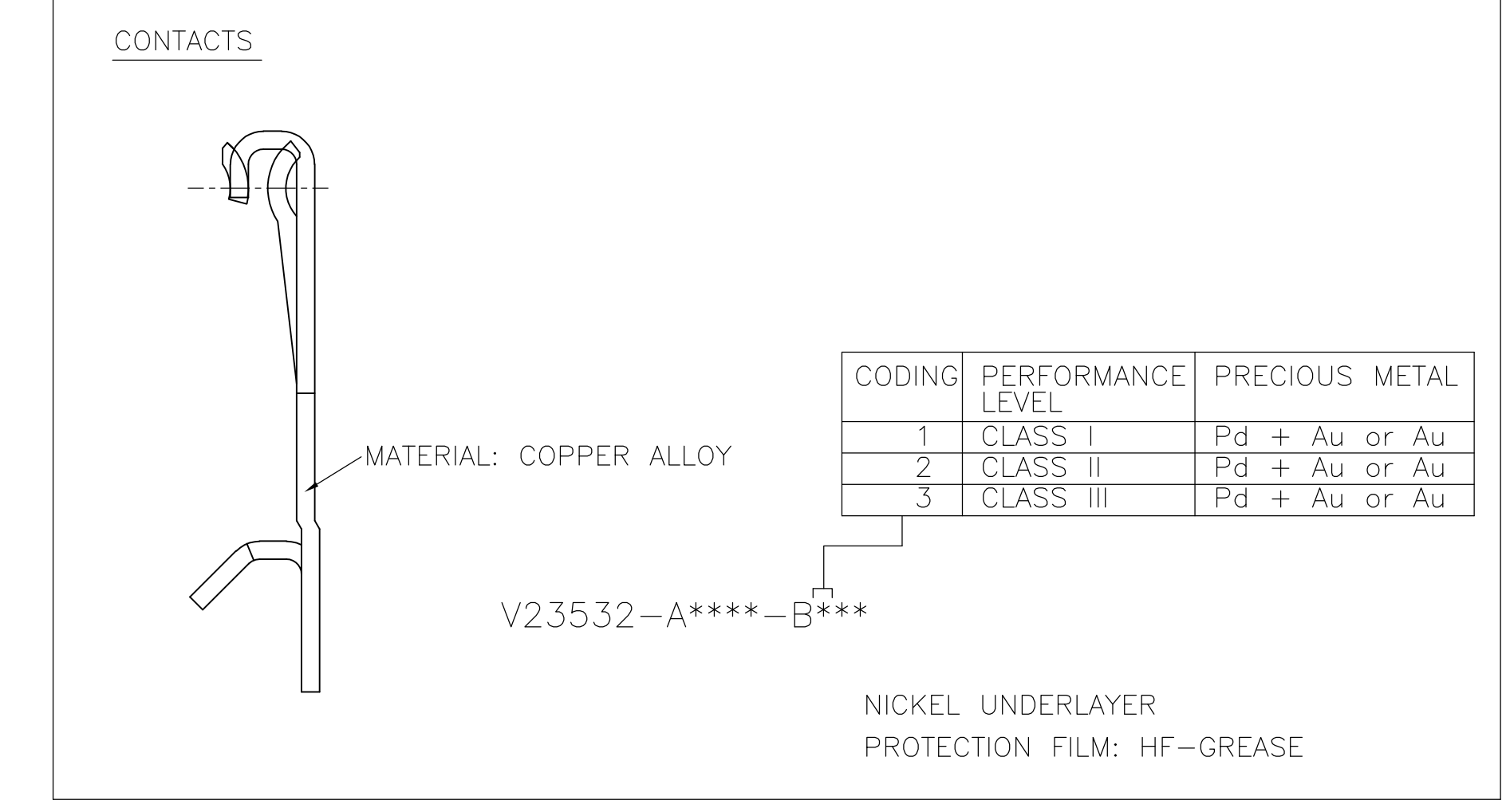
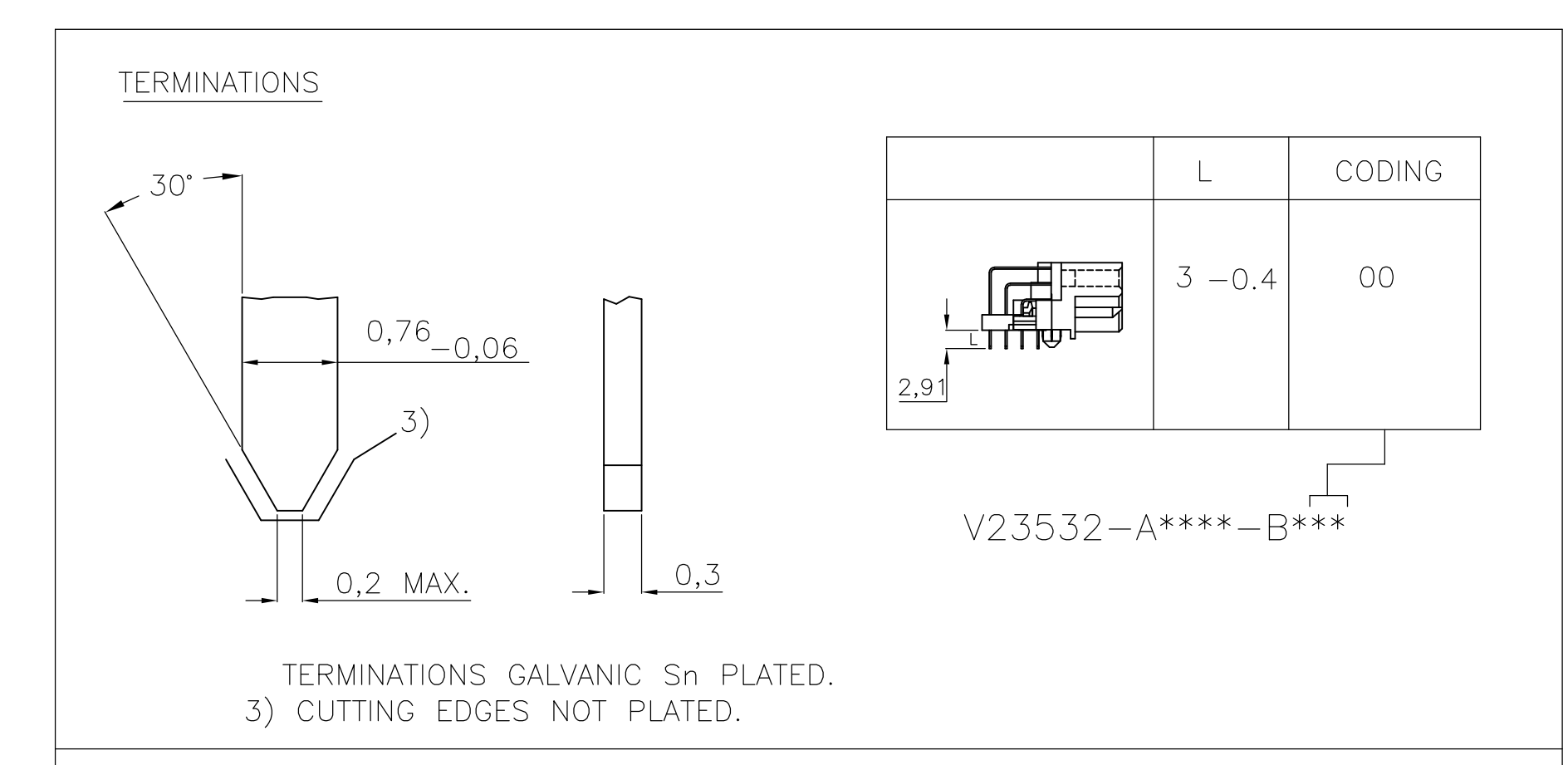
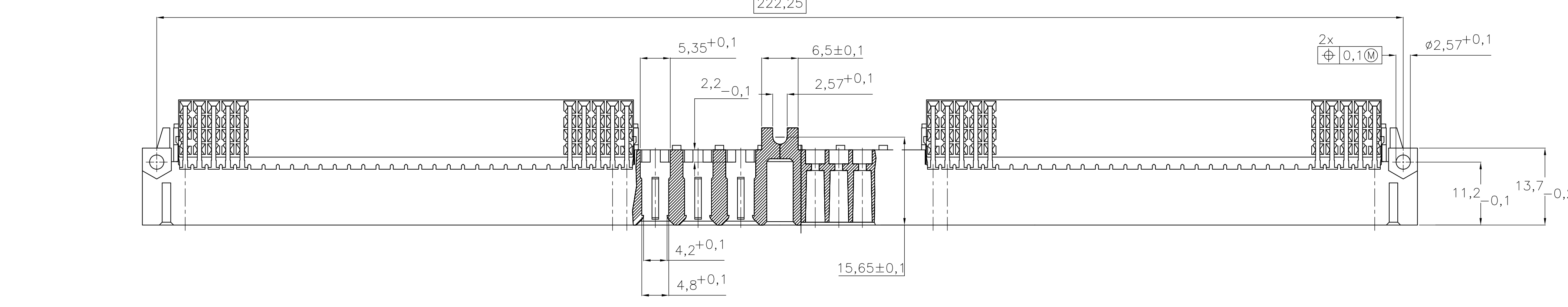
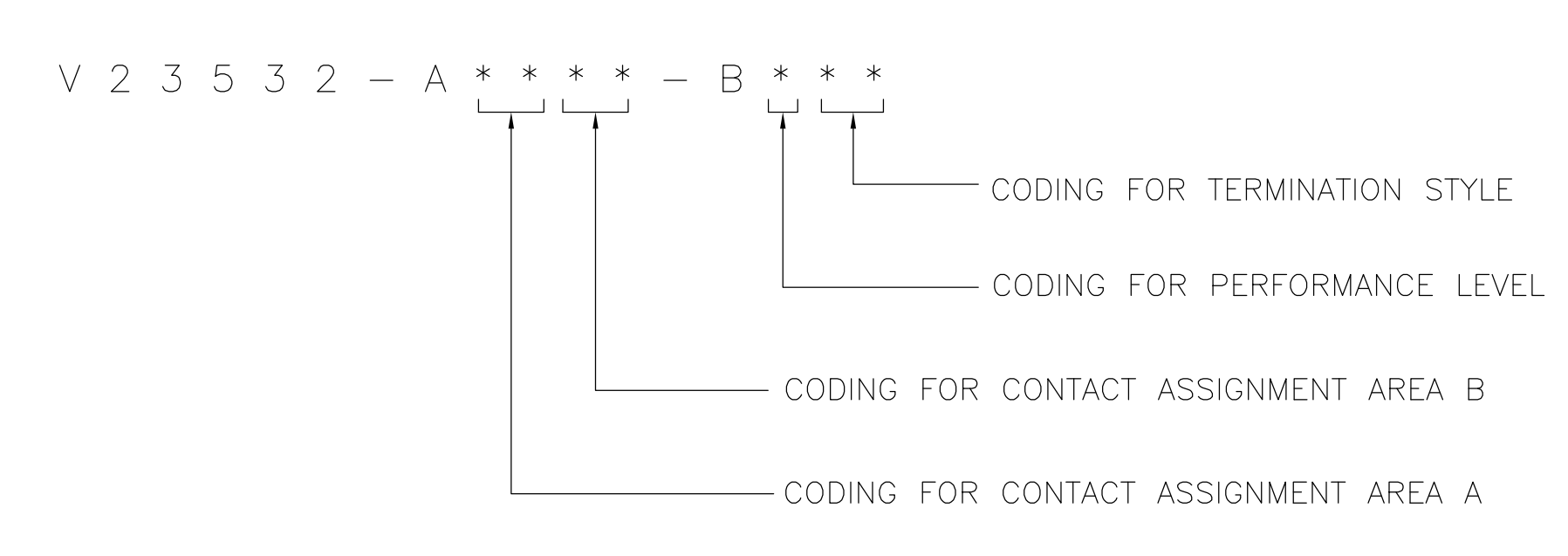
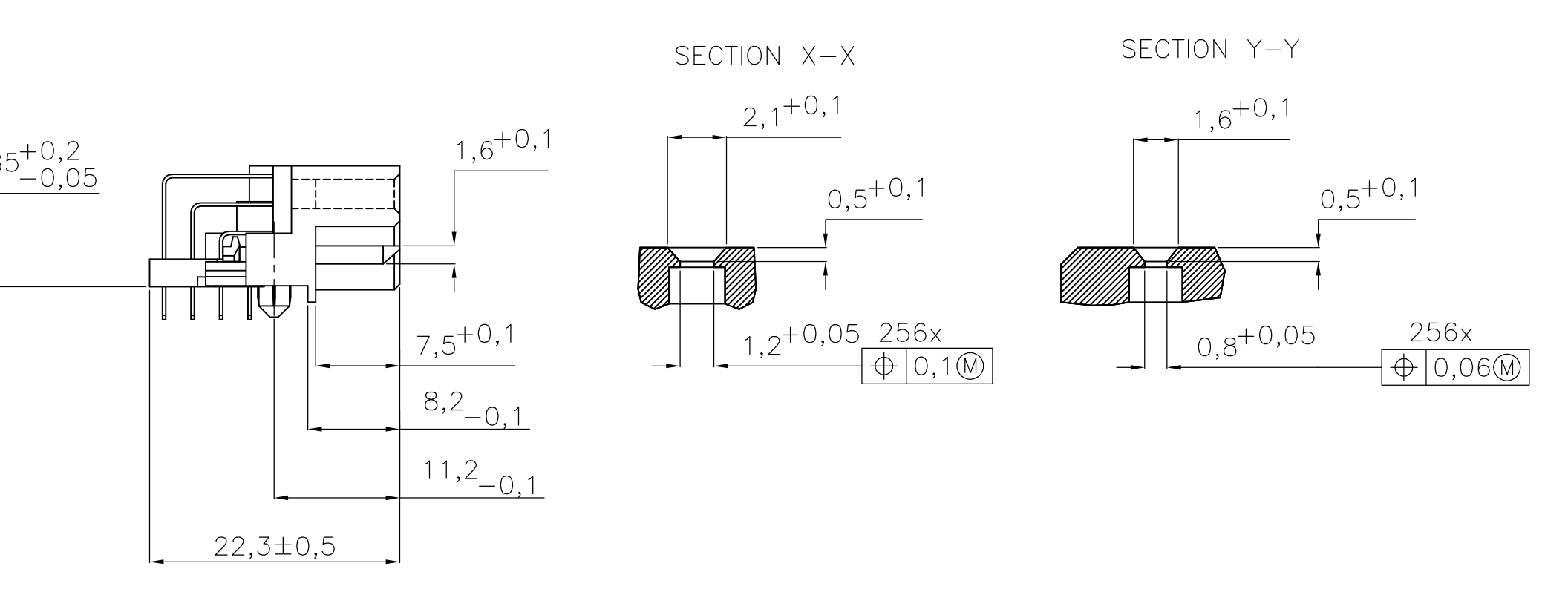
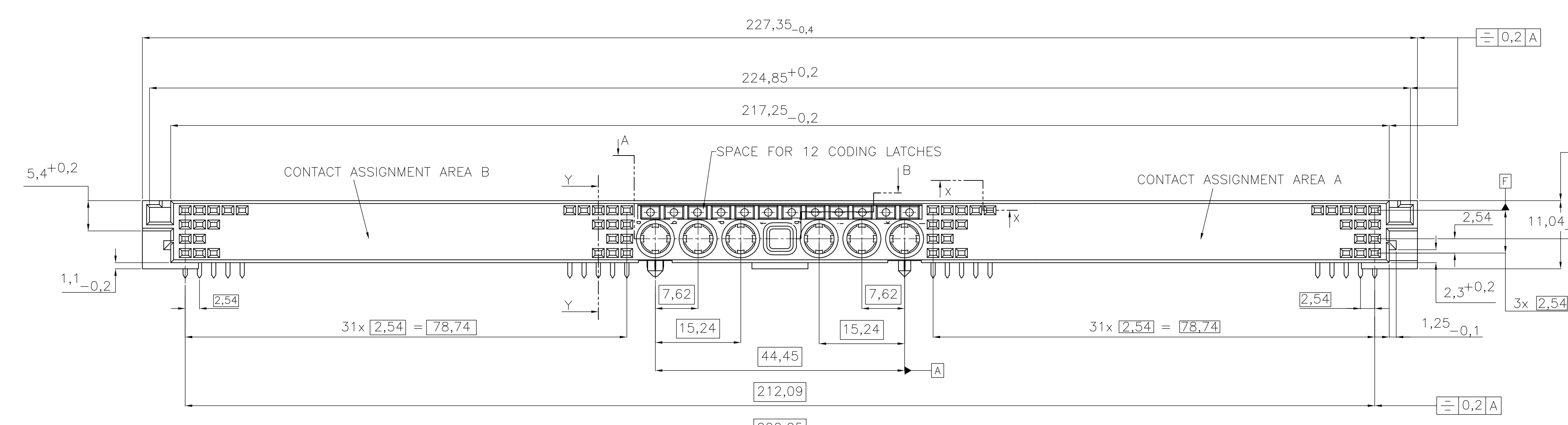


| REV | DATE | DESCRIPTION | BY | APP'D |
|-----|----------|-------------|----|--------|
| B | 09-04-01 | | | BC |
| C | 05-11-03 | | | KV |
| C1 | 31-03-09 | | | AE/MKO |



1) ONLY FOR USE WITH SPECIAL CONTACTS.
 2) FOR ADDITIONAL FIXATION.

1) PERFORMANCE LEVEL : ACC. TO DIN 41612 AND IEC 603-2 ACTIVE PARTNUMBERS. CONTACT TYCO ELECTRONICS FOR OTHER CONFIGURATION AVAILABILITY.

| OLD PARTNUMBER | TE PN (1-7-1) | CONTACT ASSIGNMENT AREA A | CONTACT ASSIGNMENT AREA B | PERFORMANCE LEVEL 1) | TERMINATION STYLE | PN STATUS |
|-------------------|---------------|---------------------------|---------------------------|----------------------|-----------------------------|-------------------------|
| V23532-A1010-B200 | 0-1393693-4 | EVERY ROW, EVERY CAVITY | EVERY ROW, EVERY CAVITY | 2 | 3mm RIGHT ANGLE SOLDER POST | |
| V23532-A1717-B100 | 0-1393693-7 | ROWS a+b+c, EVERY CAVITY | ROWS a+b+c, EVERY CAVITY | 1 | 3mm RIGHT ANGLE SOLDER POST | |
| V23532-A1717-B200 | 0-1393693-8 | ROWS a+b+c, EVERY CAVITY | ROWS a+b+c, EVERY CAVITY | 2 | 3mm RIGHT ANGLE SOLDER POST | |
| V23532-A1818-B200 | 0-1393693-9 | ROWS a+c, EVERY CAVITY | ROWS a+c, EVERY CAVITY | 2 | 3mm RIGHT ANGLE SOLDER POST | OBSOLETE |
| V23532-A1010-B100 | 0-1393693-3 | EVERY ROW, EVERY CAVITY | EVERY ROW, EVERY CAVITY | 1 | 3mm RIGHT ANGLE SOLDER POST | SUPERSEDED BY 1393693-4 |

THIS DRAWING IS A CONTROLLED DOCUMENT. DWG DOBELLAERE 1393693-4

RECEPTACLE ASSEMBLY
DOUBLE EUROCARD 256 POS.

TYCO ELECTRONICS
1-s-Hertogenbosch, Nederland

SIZE: A0 00779 © 1393693-4

CUSTOMER DRAWING