

THIS DRAWING IS UNPUBLISHED. RELEASED FOR PUBLICATION
 © COPYRIGHT BY TYCO ELECTRONICS CORPORATION. ALL RIGHTS RESERVED.

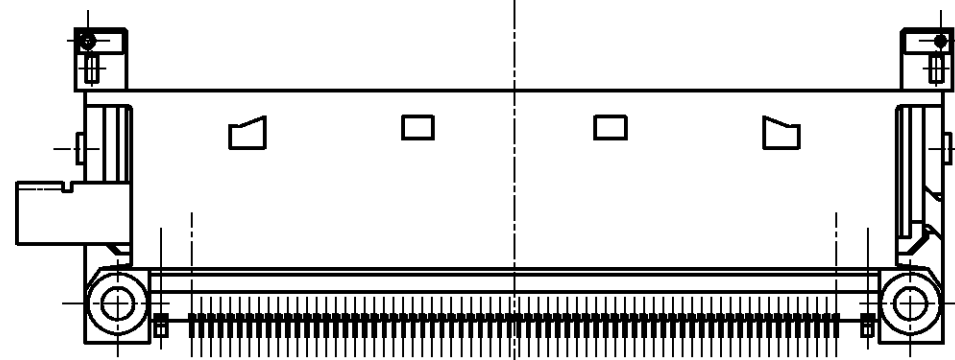
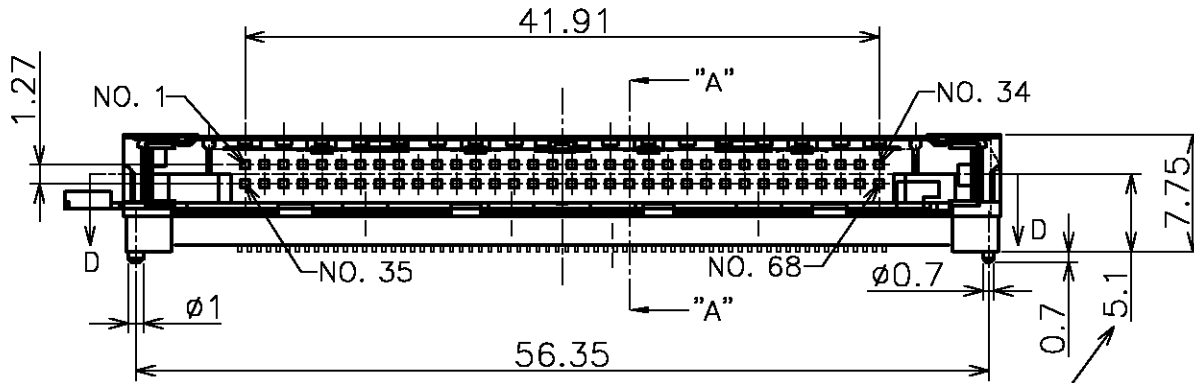
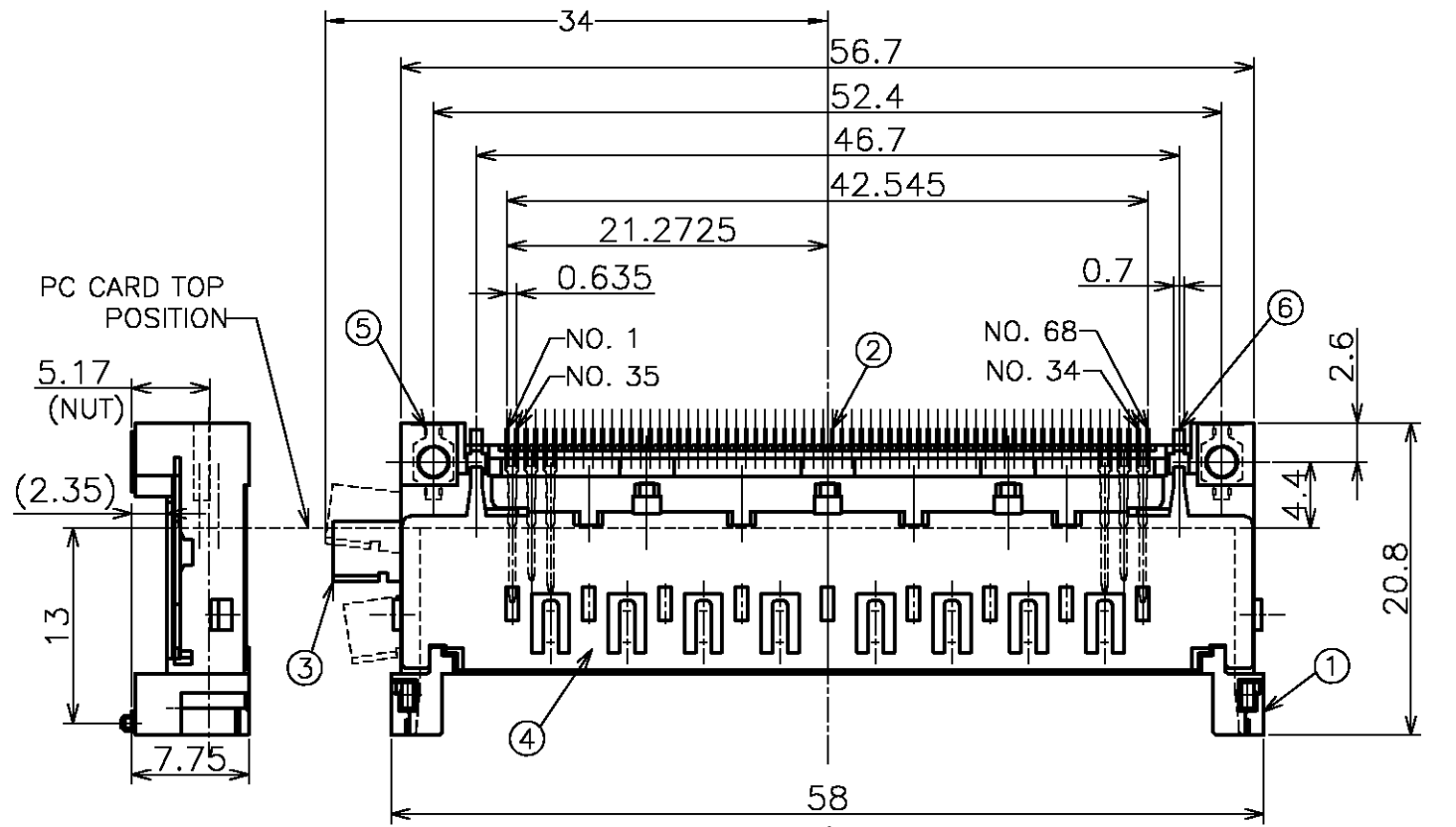
LOC	DIST	REVISIONS					
J		P	LTR	DESCRIPTION	DATE	DWN	APVD
			A	RELEASED (FJ00-1575-02)	1AUG02	S.W	I.E

注記:

- △ ポストの長さは、表1を参照のこと。
- 2 本製品は必ず、弊社のイジェクタとセットで使用のこと。
- 3 ネジ締めは、リフローはんだ付けの後に行うこと。
- 4 推奨ネジ締めトルク: 0.15~0.2Nm(1.5~2Kgf・cm)
- 5 適応PCカード: PCMCIA準拠のPCカード
- 6 一般公差: ±0.5, ±3°
- 7 取り付け適合イジェクター(型番): 0-1565679-1

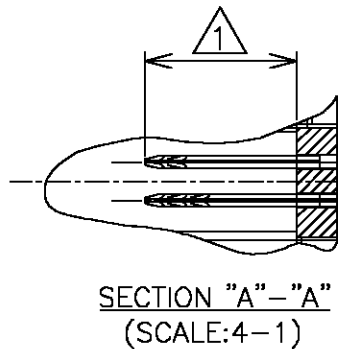
NOTE:

- △ POST LENGTH ARE SHOWN TABLE 1.
- 2 SHALL BE USE ALTOGETHER THE HEADER AND AMP'S EJECTOR.
- 3 TIGHTEN A SCREW AFTER REFLOW SOLDERING.
- 4 RECOMMENDED TIGHTENING TORQUE: 0.15~0.2Nm(1.5~2Kgf・cm)
- 5 APPLIED CARD: PCMCIA ATTRIBUTE PC CARD.
- 6 GENERAL TOLERANCE: ±0.5, ±3°
- 7 EJECTOR TO BE SET(PARTS No.): 0-1565679-1



POST LENGTH	5	3.5	4.25
回路番号 CIRCUIT NO.	1,17,34,35,51,68	36,67	その他 OTHERS

△ TABLE 1
表 1



0-1565677-1 : AS SHOWN

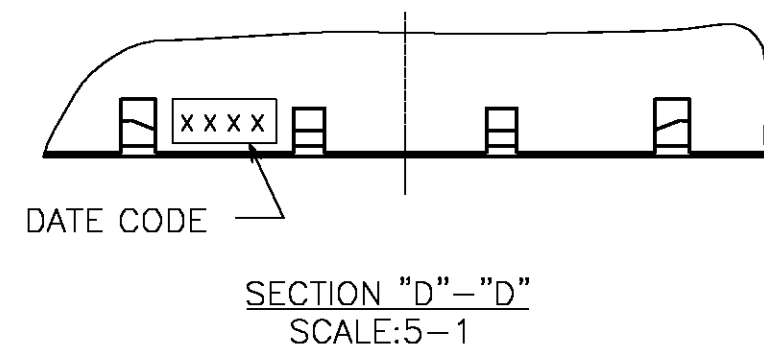
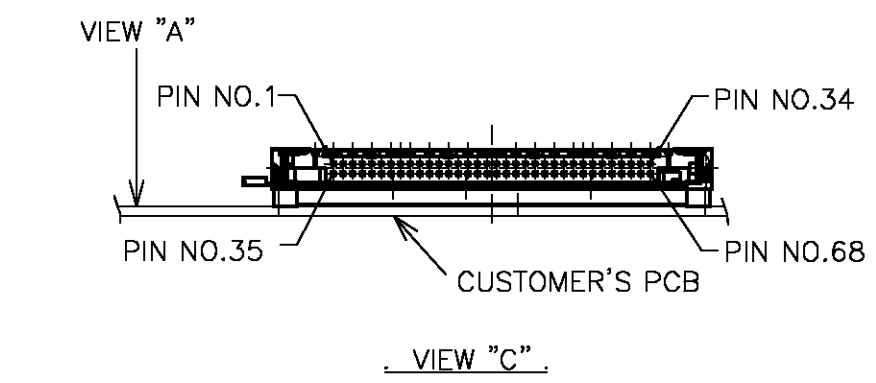
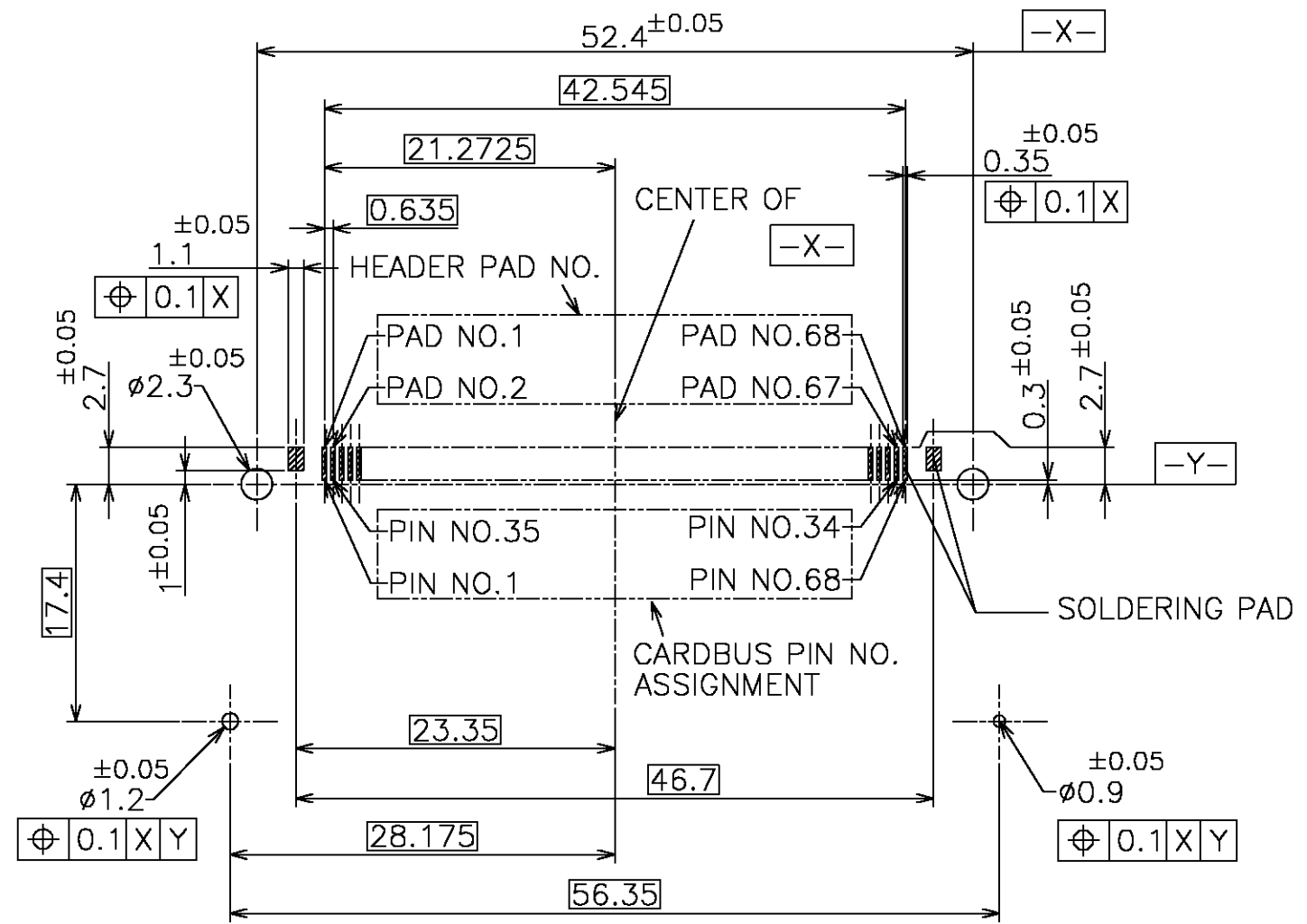
QTY	NAME	ITEM
2	GROUND CONTACT	⑥
2	NUT(M2)	⑤
1	GROUND PLATE	④
1	ARM BAR	③
68	CONTACT	②
1	HOUSING	①

THIS DRAWING IS A CONTROLLED DOCUMENT.

DWN S.WATANABE 15.NOV.'01	tyco Electronics	Tyco Electronics AMP K.K. Kawasaki, Japan	
CHK Y.WATANABE 21.NOV.'01		NAME H.MURAMATSU	SINGLE SLOT CARDBUS HEADER ASSY TOP MOUNT TYPE, LEFT BUTTON WITH NUT
APVD H.MURAMATSU 21.NOV.'01	PRODUCT SPEC 製品規格 108-5678	SIZE A3	CAGE CODE 00779
	APPLICATION SPEC 取付適用規格 411-5942	DRAWING NO 番号 C-1565677	RESTRICTED TO
MATERIAL 材料	FINISH 仕上	WEIGHT 5.4g	SCALE 尺度 1:1
CUSTOMER DRAWING		SHEET 1 OF 2	REV A

THIS DRAWING IS UNPUBLISHED. RELEASED FOR PUBLICATION
 © COPYRIGHT BY TYCO ELECTRONICS CORPORATION. ALL RIGHTS RESERVED.

LOC	DIST	REVISIONS					
J		P	LTR	DESCRIPTION	DATE	DWN	APVD
		-	-				



HEADER PAD NO.	CARDBUS PIN NO. ASSIGNMENT
1	1
2	35
3	2
4	36
5	3
6	37
7	4
8	38
9	5
10	39
11	6
12	40
13	7
14	41
15	8
16	42
17	9
18	43
19	10
20	44
21	11
22	45
23	12
24	46
25	13
26	47
27	14
28	48
29	15
30	49
31	16
32	50
33	17
34	51
35	18
36	52
37	19
38	53
39	20
40	54
41	21
42	55
43	22
44	56
45	23
46	57
47	24
48	58
49	25
50	59
51	26
52	60
53	27
54	61
55	28
56	62
57	29
58	63
59	30
60	64
61	31
62	65
63	32
64	66
65	33
66	67
67	34
68	68

THIS DRAWING IS A CONTROLLED DOCUMENT.

DIMENSIONS: 単位: 耗 MM	TOLERANCES UNLESS OTHERWISE SPECIFIED: 一般公差	DWN	Tyco Electronics AMP K.K. Kawasaki, Japan	
	0 PLC ±	CHK	NAME	
	1 PLC ±	APVD	SINGLE SLOT CARDBUS HEADER ASSY TOP MOUNT TYPE, LEFT BUTTON WITH NUT	
MATERIAL 材料	2 PLC ±	PRODUCT SPEC	SIZE	CAGE CODE
	3 PLC ±	APPLICATION SPEC	A3	00779
FINISH 仕上	4 PLC ±	取付適用規格	DRAWING NO	1565677
	ANGLES ±	WEIGHT	RESTRICTED TO	
CUSTOMER DRAWING		SCALE 1:1		SHEET 2 OF 2