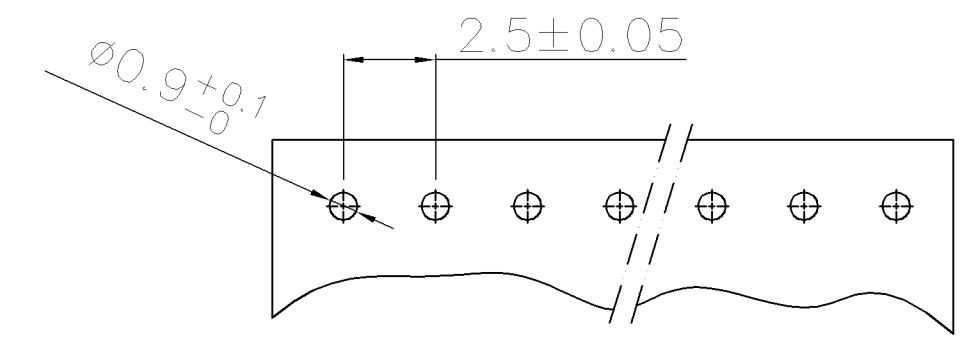
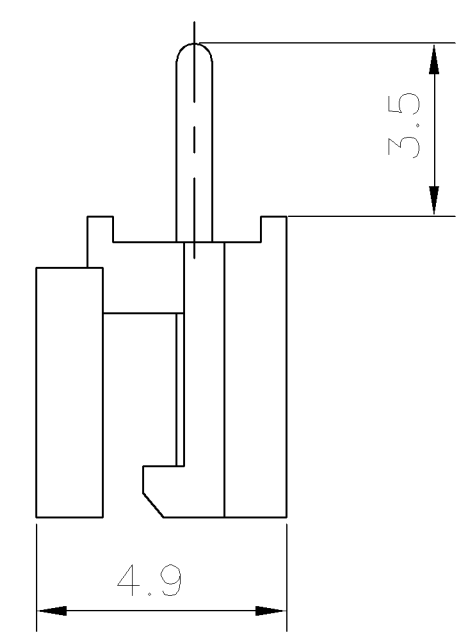
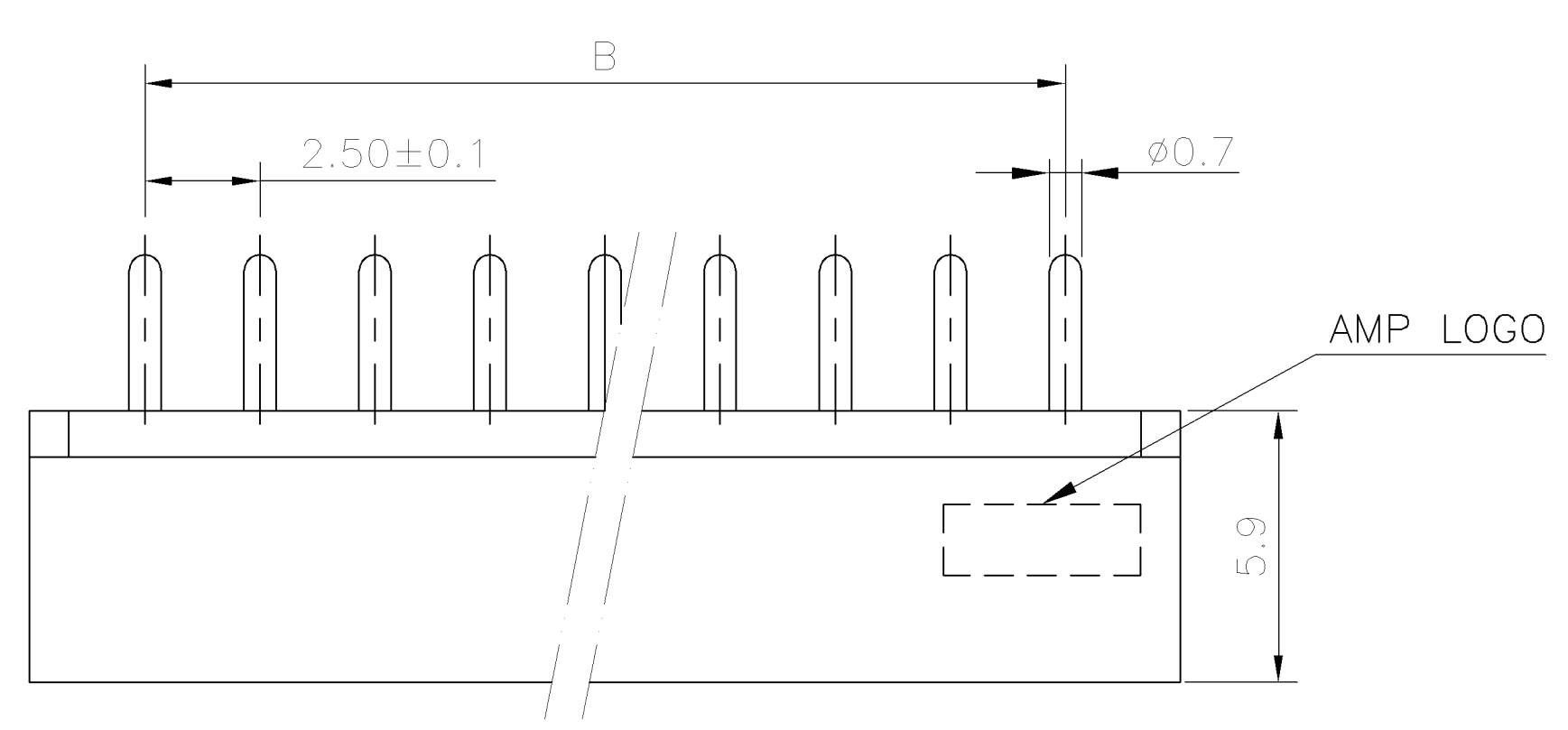
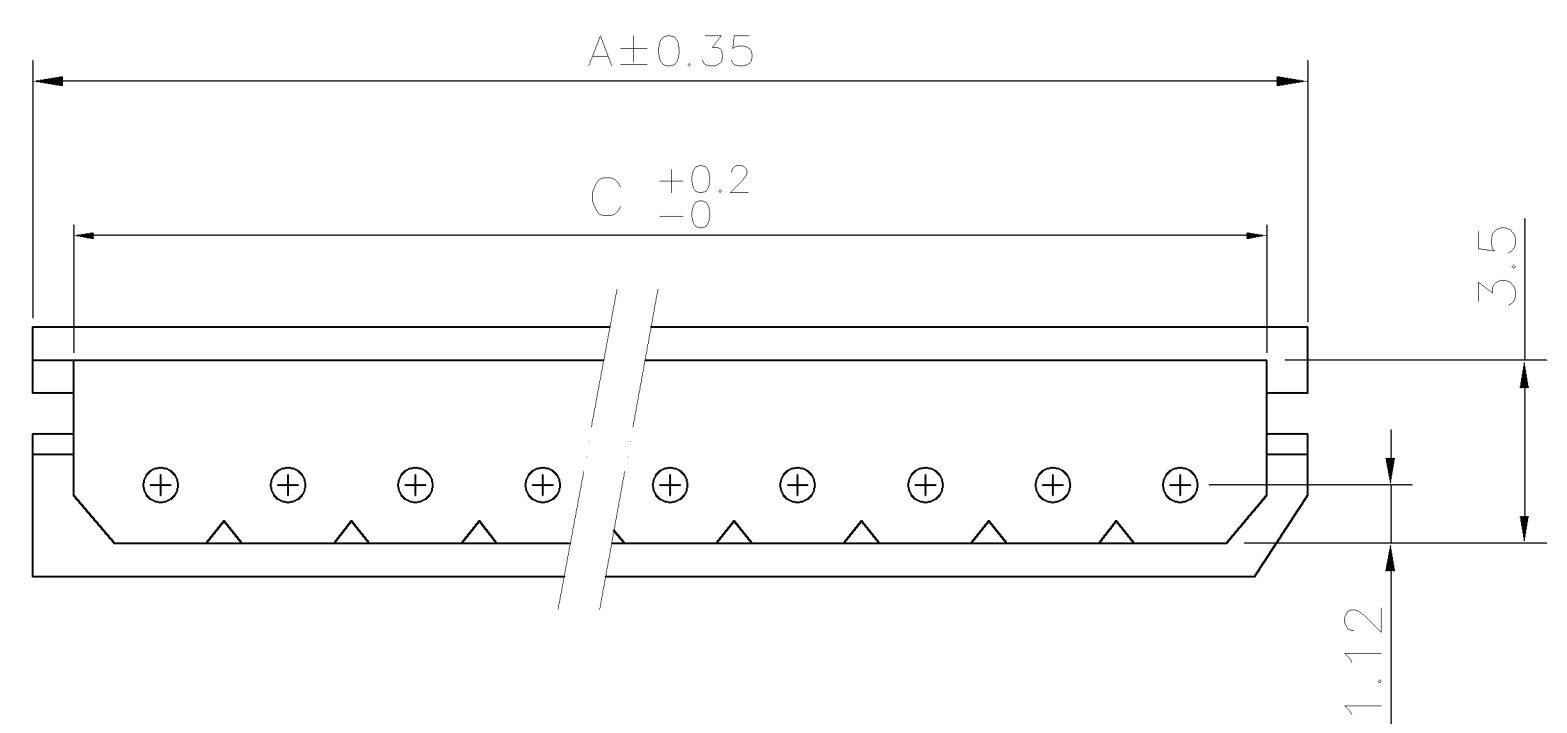


THIS DRAWING IS UNPUBLISHED. RELEASED FOR PUBLICATION  
 © COPYRIGHT - BY TYCO ELECTRONICS CORPORATION. ALL RIGHTS RESERVED.

LOC	DIST	REVISIONS					
DW	-	P	LTR	DESCRIPTION	DATE	DWN	APVD
			D	ADD STAND OFF ON HOUSING BOTTOM ECR-06-029361	22DEC06	OH	WK



RECOMMENDED PCB LAYOUT (THICKNESS: 1.6MM)  
 (TOP VIEW) (TOLERANCE: ±0.05)



BLUE	38.4	35.00 ±0.20	40.0	15	3-1470224-5
	35.9	32.50 ±0.20	37.5	14	3-1470224-4
	33.4	30.00 ±0.20	35.0	13	3-1470224-3
	30.9	27.50 ±0.20	32.5	12	3-1470224-2
	28.4	25.00 ±0.20	30.0	11	3-1470224-1
	25.9	22.50 ±0.15	27.5	10	3-1470224-0
	23.4	20.00 ±0.15	25.0	9	2-1470224-9
	20.9	17.50 ±0.15	22.5	8	2-1470224-8
	18.4	15.00 ±0.15	20.0	7	2-1470224-7
	15.9	12.50 ±0.10	17.5	6	2-1470224-6
13.4	10.00 ±0.10	15.0	5	2-1470224-5	
10.9	7.50 ±0.10	12.5	4	2-1470224-4	
8.4	5.00 ±0.10	10.0	3	2-1470224-3	
5.9	2.50 ±0.10	7.5	2	2-1470224-2	
IVORY	38.4	35.00 ±0.20	40.0	15	1-1470224-5
	35.9	32.50 ±0.20	37.5	14	1-1470224-4
	33.4	30.00 ±0.20	35.0	13	1-1470224-3
	30.9	27.50 ±0.20	32.5	12	1-1470224-2
	28.4	25.00 ±0.20	30.0	11	1-1470224-1
	25.9	22.50 ±0.15	27.5	10	1-1470224-0
	23.4	20.00 ±0.15	25.0	9	0-1470224-9
	20.9	17.50 ±0.15	22.5	8	0-1470224-8
	18.4	15.00 ±0.15	20.0	7	0-1470224-7
	15.9	12.50 ±0.10	17.5	6	0-1470224-6
13.4	10.00 ±0.10	15.0	5	0-1470224-5	
10.9	7.50 ±0.10	12.5	4	0-1470224-4	
8.4	5.00 ±0.10	10.0	3	0-1470224-3	
5.9	2.50 ±0.10	7.5	2	0-1470224-2	
HSG. COLOR	C	B	A	POS.	PART NUMBER

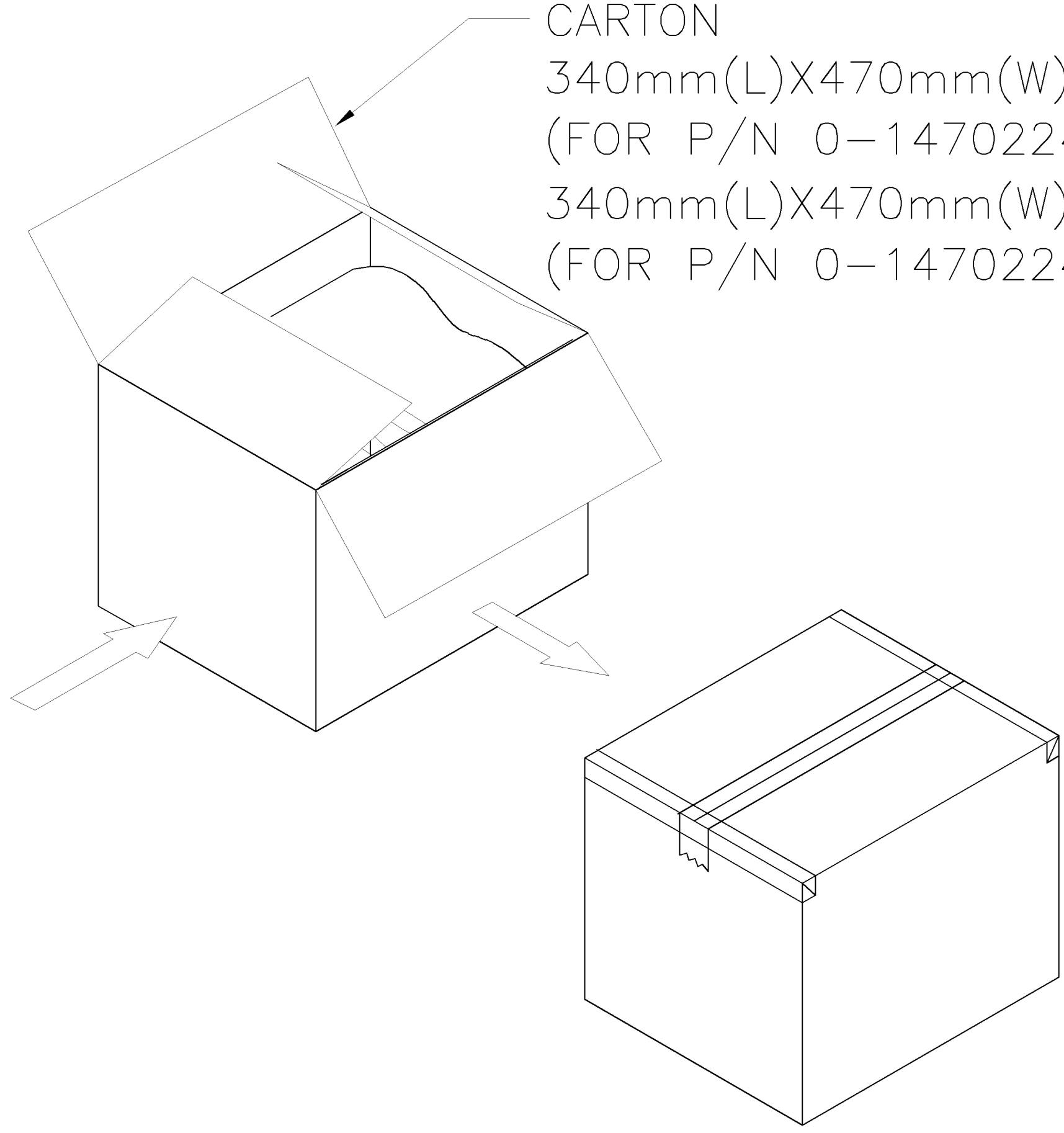
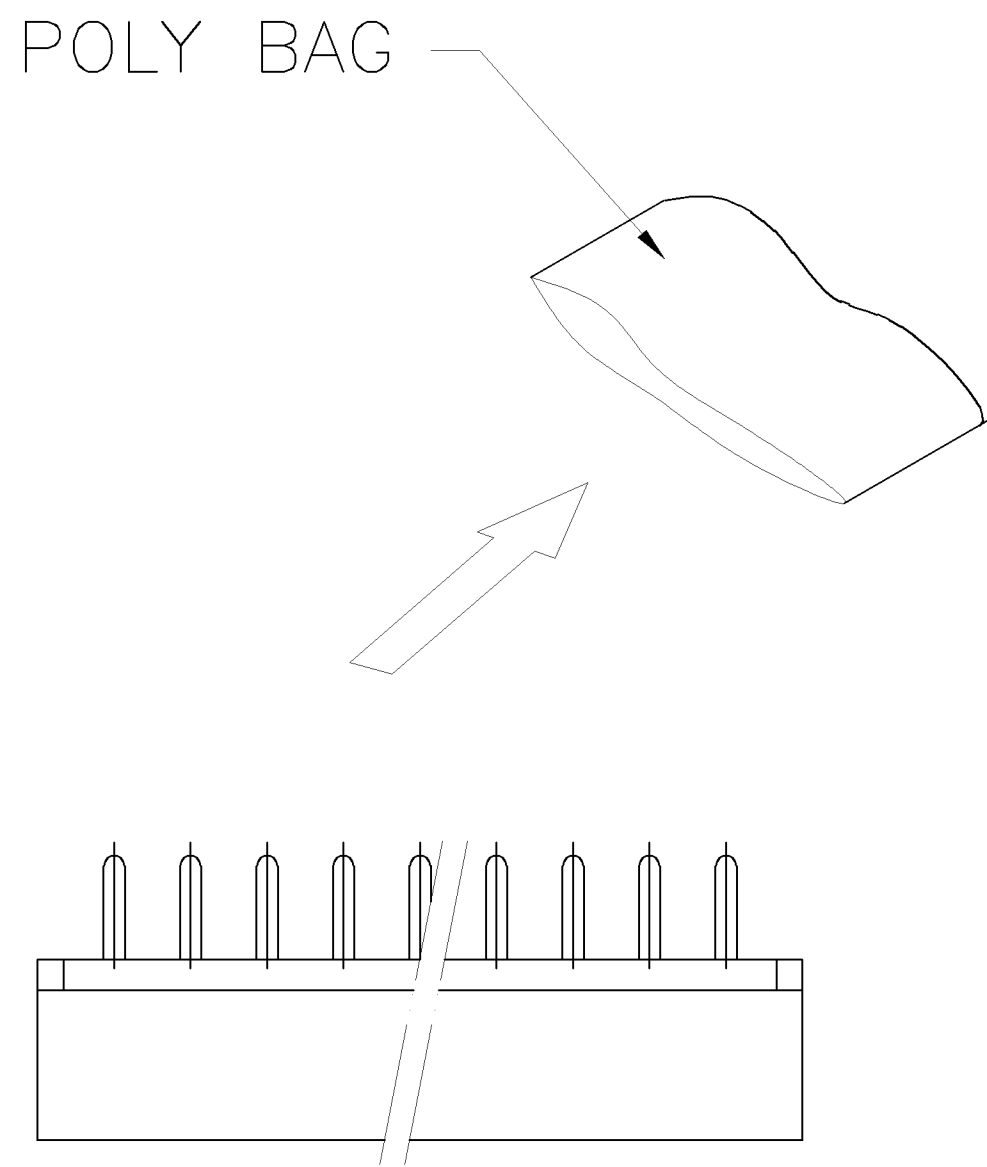
- NOTE:
- MATERIAL:  
HOUSING: PA66, UL 94V-2, COLOR: SEE TABLE.  
CONTACTS: BRASS.
  - FINISH:  
CONTACTS: 1.27µm [50µ"] MIN. BRIGHT-TIN ON SOLDER TAIL, WITH ENTIRE CONTACT UNDERPLATED 0.381µm [15µ"] MIN. NICKEL.
  - WAVE SOLDER CAPABLE TO 240°C PER TYCO TEST SPEC. 109-202, CONDITION A.

THIS DRAWING IS A CONTROLLED DOCUMENT.		DWN O. HU 19DEC2006	Tyco Holdings (Bermuda) VII Ltd. Taiwan Branch												
DIMENSIONS: MM		CHK S. HOU 19DEC2006													
TOLERANCES UNLESS OTHERWISE SPECIFIED:		APVD W.J. KE 19DEC2006	NAME 2.5mm PITCH EMIX POST HEADER, VERTICAL TYP												
<table border="1"> <tr> <td>0 PLC</td> <td>± 0.5</td> </tr> <tr> <td>1 PLC</td> <td>± 0.25</td> </tr> <tr> <td>2 PLC</td> <td>± 0.15</td> </tr> <tr> <td>3 PLC</td> <td>± 0.05</td> </tr> <tr> <td>4 PLC ANGLES</td> <td>± - 3°</td> </tr> </table>		0 PLC	± 0.5	1 PLC	± 0.25	2 PLC	± 0.15	3 PLC	± 0.05	4 PLC ANGLES	± - 3°	PRODUCT SPEC 108-57175	QUALIFICATION TEST REPORT		
0 PLC	± 0.5														
1 PLC	± 0.25														
2 PLC	± 0.15														
3 PLC	± 0.05														
4 PLC ANGLES	± - 3°														
MATERIAL SEE NOTE		FINISH SEE NOTE	501-57195	SIZE A3	CAGE CODE 00779										
			WEIGHT --	DRAWING NO C=1470224	RESTRICTED TO -										
CUSTOMER DRAWING			SCALE -	SHEET 1 OF 2	REV D										

THIS DRAWING IS UNPUBLISHED. RELEASED FOR PUBLICATION  
© COPYRIGHT BY TYCO ELECTRONICS CORPORATION. ALL RIGHTS RESERVED.

LOC	DIST	REVISIONS			
P	LTR	DESCRIPTION	DATE	DWN	APVD
		SEE SHEET 1.			

CARTON  
 340mm(L)X470mm(W)X158mm(H)  
 (FOR P/N 0-1470224-2~0-1470224-5)  
 340mm(L)X470mm(W)X316mm(H)  
 (FOR P/N 0-1470224-6~1-1470224-5)



12,960	180	3-1470224-5	1-1470224-5
12,000	200	3-1470224-4	1-1470224-4
14,400	200	3-1470224-3	1-1470224-3
16,000	250	3-1470224-2	1-1470224-2
16,000	250	3-1470224-1	1-1470224-1
20,000	250	3-1470224-0	1-1470224-0
21,600	300	2-1470224-9	0-1470224-9
25,200	350	2-1470224-8	0-1470224-8
28,000	350	2-1470224-7	0-1470224-7
35,000	350	2-1470224-6	0-1470224-6
20,000	500	2-1470224-5	0-1470224-5
24,000	600	2-1470224-4	0-1470224-4
30,000	750	2-1470224-3	0-1470224-3
36,000	1000	2-1470224-2	0-1470224-2
APQ (PCS/CARTON)	PPQ (PCS/BAG)	PART NUMBER	

THIS DRAWING IS A CONTROLLED DOCUMENT.		DWN O. HU 19DEC2006	Tyco Holdings (Bermuda) VII Ltd. Taiwan Branch													
DIMENSIONS: MM		CHK S. HOU 19DEC2006														
TOLERANCES UNLESS OTHERWISE SPECIFIED:		APVD W.J. KE 19DEC2006	NAME 2.5mm PITCH EMIX POST HEADER, VERTICAL TYP													
<table border="1"> <tr><td>0 PLC</td><td>± -</td></tr> <tr><td>1 PLC</td><td>± -</td></tr> <tr><td>2 PLC</td><td>± -</td></tr> <tr><td>3 PLC</td><td>± -</td></tr> <tr><td>4 PLC</td><td>± -</td></tr> <tr><td>ANGLES</td><td>± -</td></tr> </table>		0 PLC	± -	1 PLC	± -	2 PLC	± -	3 PLC	± -	4 PLC	± -	ANGLES	± -	PRODUCT SPEC -	SIZE A3	
0 PLC	± -															
1 PLC	± -															
2 PLC	± -															
3 PLC	± -															
4 PLC	± -															
ANGLES	± -															
MATERIAL		APPLICATION SPEC -	CAGE CODE 00779	DRAWING NO C-1470224												
FINISH		WEIGHT -	RESTRICTED TO -													
CUSTOMER DRAWING			SCALE -	SHEET 2 OF 2												
			REV D													