

LOC	DIST	REVISIONS			
P	LTR	DESCRIPTION	DATE	DWN	APVD
AD	00	K1	REVISED PER ECO-09-016326	17JUL09	HMR MW

1. OPERATING TEMPERATURE: -20°C TO 80°C.
2. STORAGE TEMPERATURE: -40°C TO 80°C.
3. CONTACT TIMING: NON-SHORTING.
4. CONTACT RATING: 0.4VA @ 20VDC.
5. CONTACT RATING MAXIMUM: 50mA 48V AC/DC.
6. CONTACT RATING MINIMUM: 1µA 20mV AC/DC.
7. GOLD PLATE OVER SILVER.
8. TIN-LEAD OVER NICKEL.
9. TIN OVER NICKEL.
10. INITIAL CONTACT RESISTANCE: LESS THAN 50 MILLIOHMS PER EIA 364-23B.
11. FINAL CONTACT RESISTANCE: 100 MILLIOHMS MAX PER EIA 364-23B.
12. INSULATION RESISTANCE: 500 MEGOHMS MIN AT 250VDC PER EIA 364-21C.
13. DIELECTRIC STRENGTH: 500VAC BETWEEN TERMINALS AND GROUND PER EIA 364-20B, CONDITION 1.
14. VIBRATION PER EIA 364-28D, CONDITION VII, LEVEL E.
15. MECHANICAL SHOCK PER EIA 364-27B, CONDITION A.
16. LIFE EXPECTANCY: ON-OFF ELECTRICAL SWITCHING OPERATIONS PER EIA 364-9C 10 CYCLES PER MINUTE AT THE FOLLOWING RATED LOAD.

TYPE	MAXIMUM CONTACT RATING	0.4 VA	MINIMUM CONTACT RATING
D.E	10000 (OPERATIONS)	30000 (OPERATIONS)	30000 (OPERATIONS)

17. ACTUATION FORCE: 70-500g PER EIA 364-13B.
18. THERMAL SHOCK PER EIA 364-32C, -25°C TO 85°C.
19. HUMIDITY-TEMPERATURE CYCLING PER EIA 364-31B, METHOD III.
20. TEMPERATURE LIFE PER EIA 364-17B, METHOD B, TEMPERATURE TEST CONDITION 3, TIME CONDITION B.
21. RESISTANCE TO SOLDERING HEAT PER 109-201, TEST CONDITION B.
22. SOLDERABILITY PER EIA 364-52, CLASS 2, CATEGORY 1.
23. SEALED PER IEC 529, IP67.
24. TERMINAL 2 IS OMITTED FOR SPST FUNCTION.
25. MARK PER 202-37, "tyco CHINA" MINIMUM REQUIREMENT.
26. ALL MATERIALS AND FINISHES SHALL COMPLY WITH EU DIRECTIVE 2002/95/EC OF 27JAN2003 (ROHS).

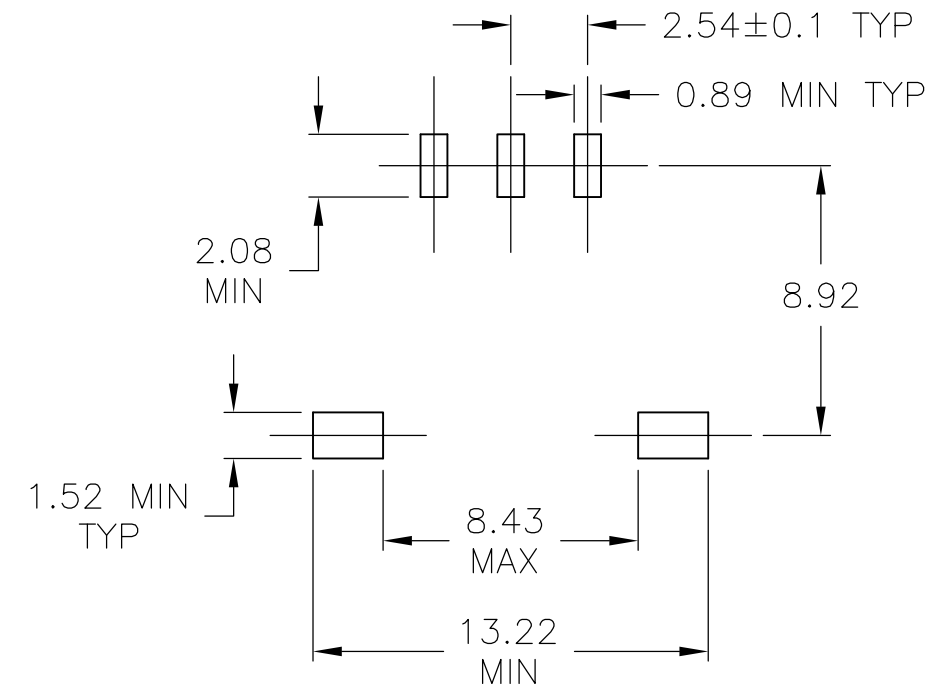
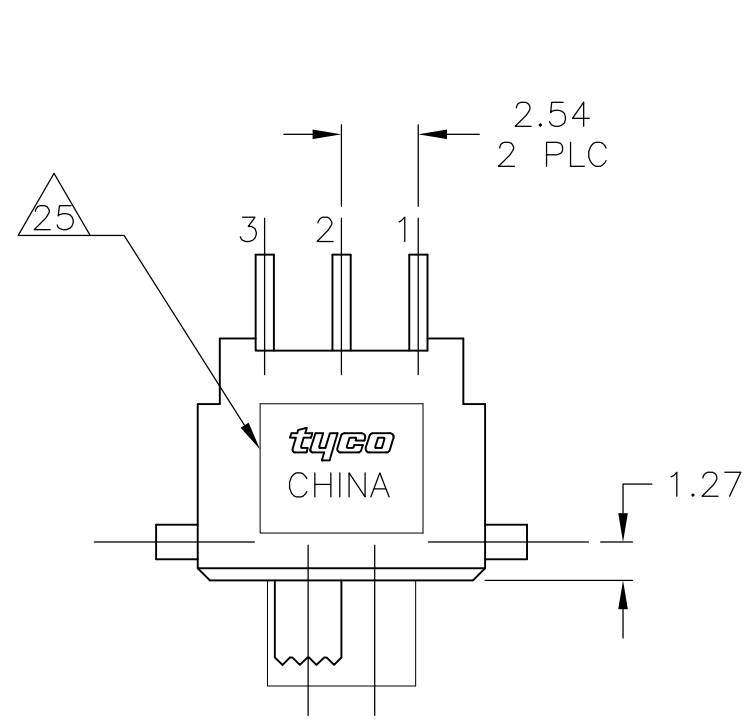
SEE SHEET 2 FOR PART NUMBER TABLES

SEE SHEET 3 FOR DIMENSIONS

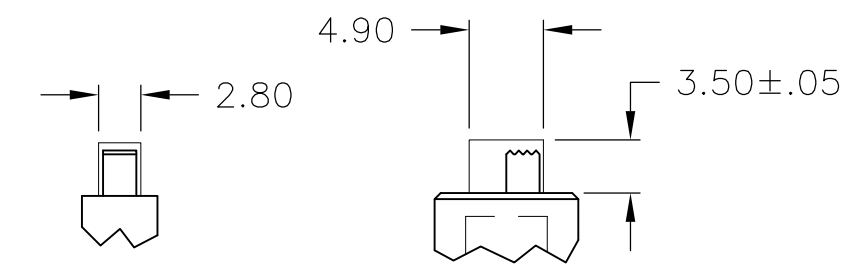
THIS DRAWING IS A CONTROLLED DOCUMENT.		DWN R BROWN 11DEC01	Tyco Electronics Corporation Harrisburg, Pa 17105-3608	
DIMENSIONS: mm		CHK H WYNKOOP 11DEC01	NAME SWITCH, SLIDE, SURFACE MOUNT SE(**)SMT	
TOLERANCES UNLESS OTHERWISE SPECIFIED:		APVD H WYNKOOP 11DEC01	SIZE A2	CAGE CODE -
0 PLC ± -		PRODUCT SPEC -	DRAWING NO C=1571004	RESTRICTED TO -
1 PLC ± -		APPLICATION SPEC -	SCALE 1:1	SHEET 1 of 3
2 PLC ± 0.25		WEIGHT -	REV K1	
3 PLC ± -				
4 PLC ± -				
ANGLES ± 0°30'				
MATERIAL SEE SHEET 2	FINISH SEE NOTES	CUSTOMER DRAWING		

THIS DRAWING IS UNPUBLISHED. RELEASED FOR PUBLICATION 1571004 ,1571004
 © COPYRIGHT 1571004 BY TYCO ELECTRONICS CORPORATION. ALL RIGHTS RESERVED.

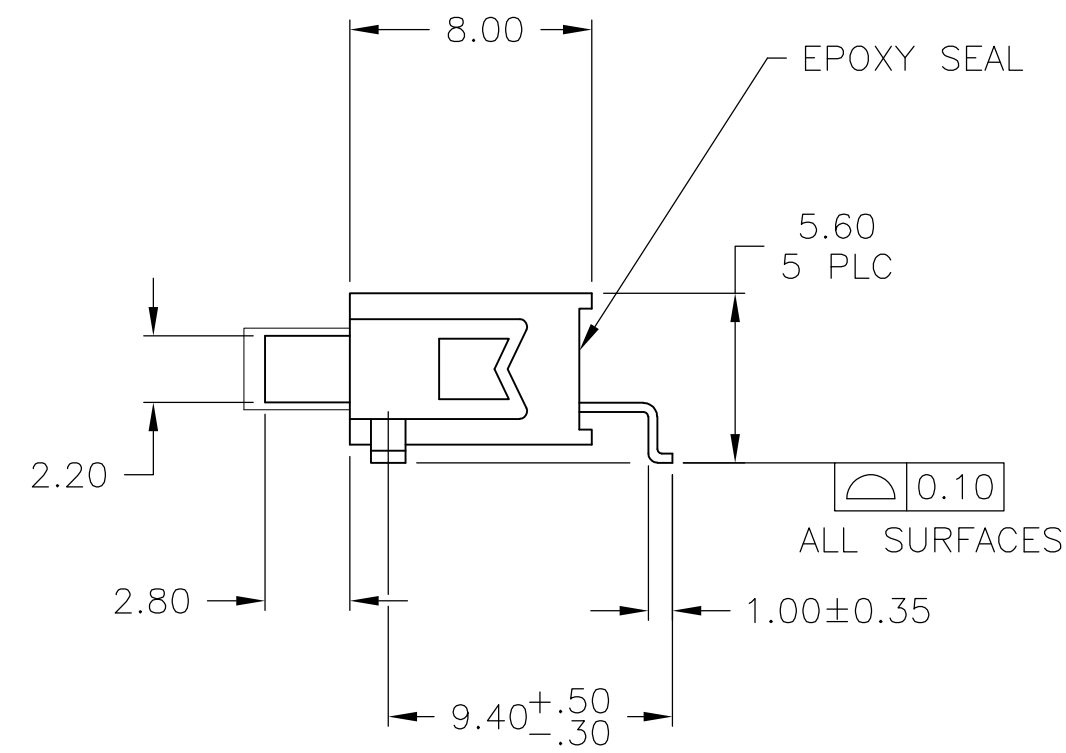
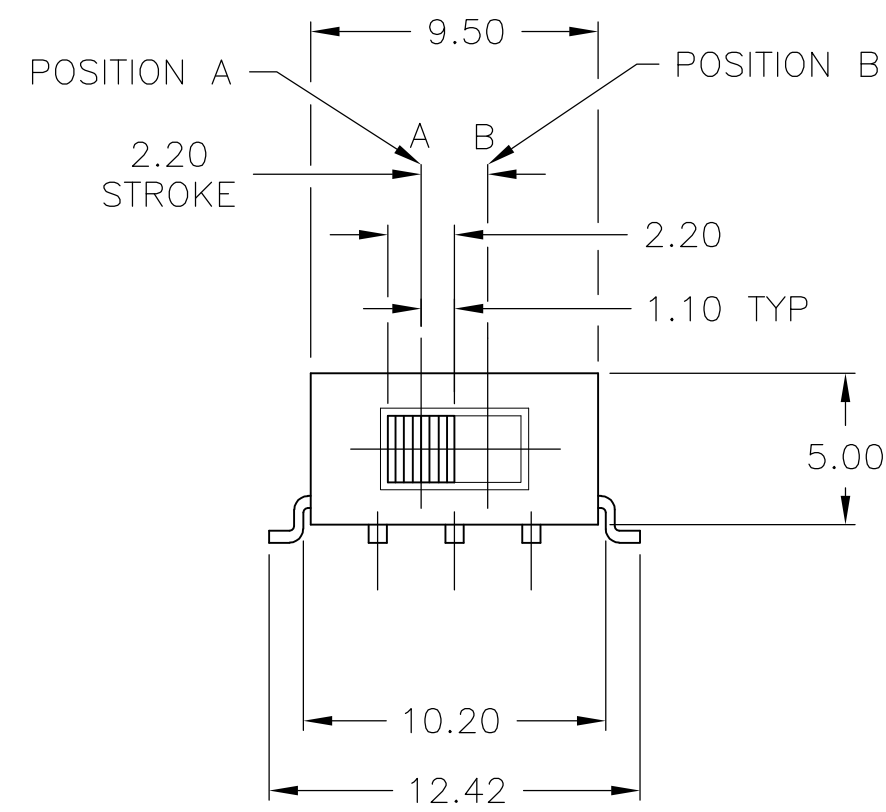
LOC	DIST	REVISIONS			
P	LTR	DESCRIPTION	DATE	DWN	APVD
AD	00	SEE SHEET 1	-	-	-



P.C. PAD LAYOUT



ACTUATOR BOOT DIMENSIONS SCALE 2:1



THIS DRAWING IS A CONTROLLED DOCUMENT.		DWN R BROWN 11DEC01	Tyco Electronics Corporation Harrisburg, Pa 17105-3608	
DIMENSIONS: mm		CHK H WYNKOOP 11DEC01	NAME SWITCH, SLIDE, SURFACE MOUNT SE(**)SMT	
TOLERANCES UNLESS OTHERWISE SPECIFIED:		APVD H WYNKOOP 11DEC01	SIZE A2	CAGE CODE -
0 PLC ± -		PRODUCT SPEC	DRAWING NO C=1571004	RESTRICTED TO -
1 PLC ± -		APPLICATION SPEC	SCALE 4:1	SHEET 3 OF 3
2 PLC ± 0.25		WEIGHT -	REV K1	
3 PLC ± -		MATERIAL SEE SHEET 2		
4 PLC ± -		FINISH SEE SHEET 3		
ANGLES ± 0°30'		CUSTOMER DRAWING		