

THIS DRAWING IS UNPUBLISHED. RELEASED FOR PUBLICATION 2002 . . .
 © COPYRIGHT 2002 BY TYCO ELECTRONICS CORPORATION. ALL RIGHTS RESERVED.

LOC	DIST	REVISIONS					
		P	LTR	DESCRIPTION	DATE	DWN	APVD
J	/		0	RELEASED (FJ00-0368-02)	15.FEB.'02	S.W	I.E

注記:

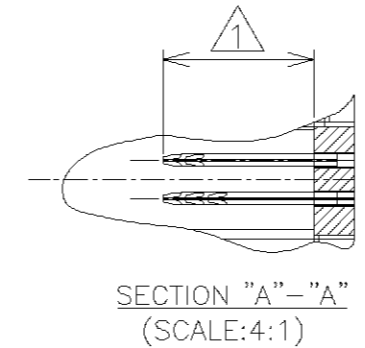
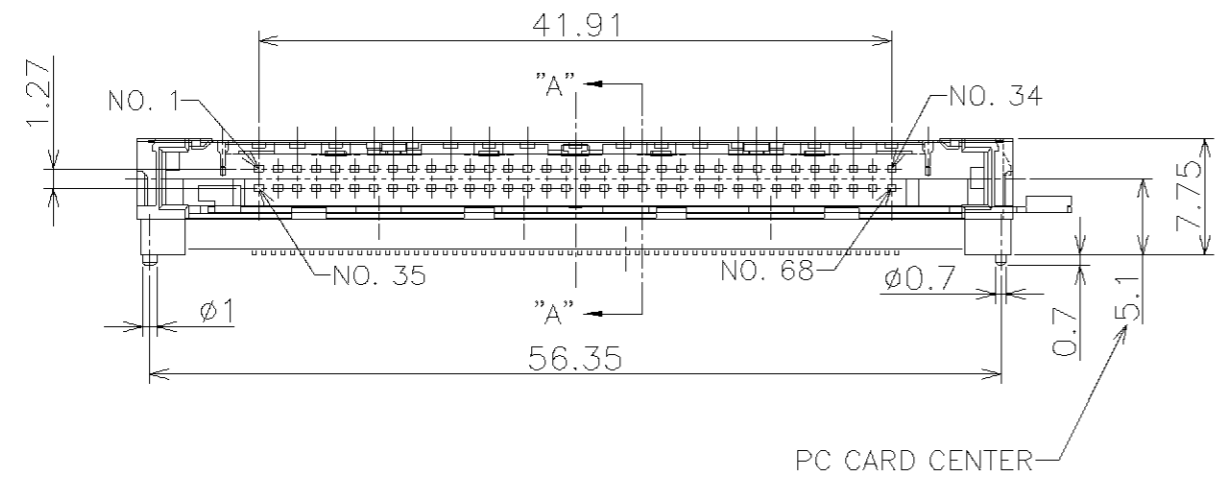
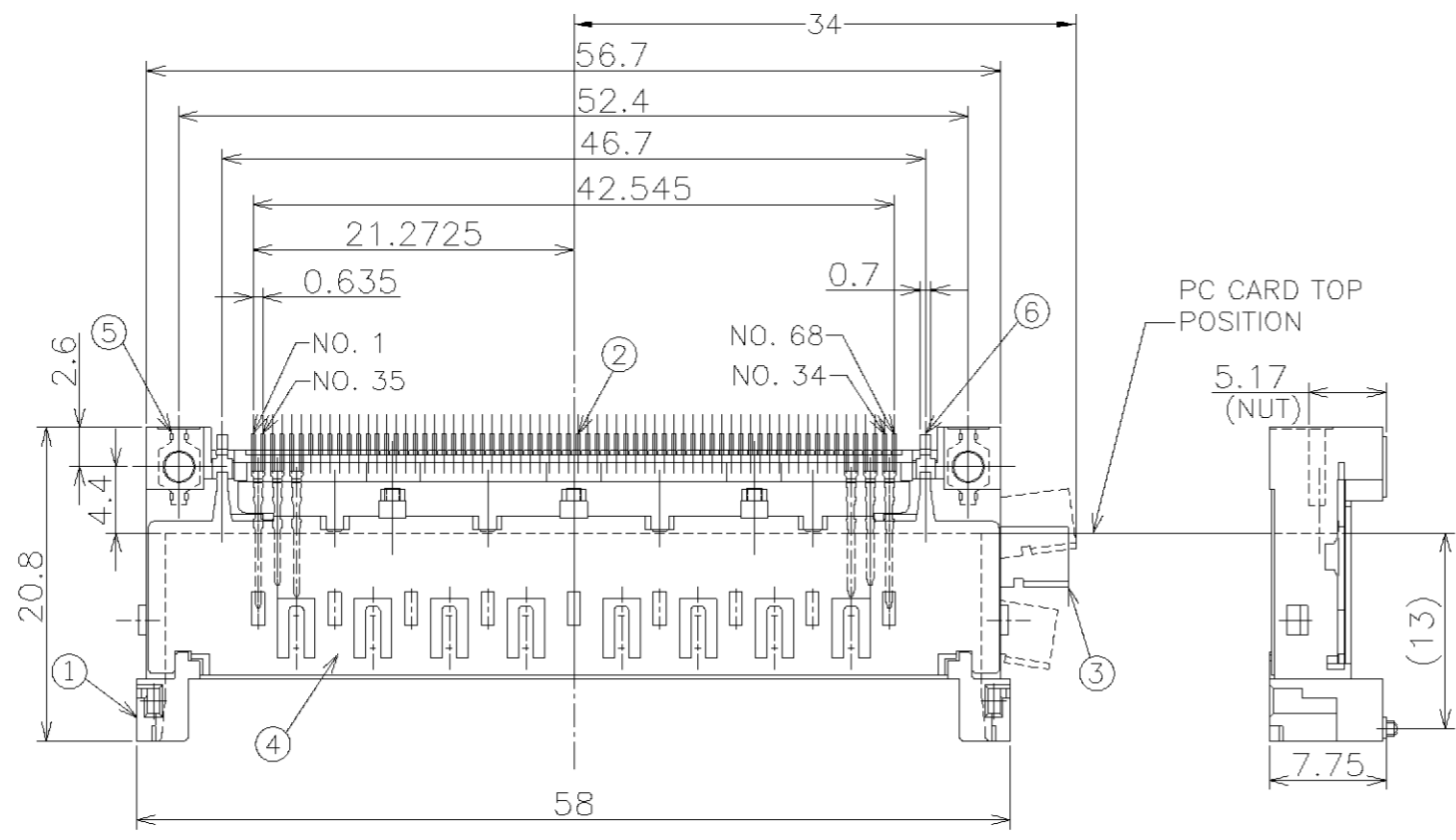
- ① ポスの長さは、表1を参照のこと。
- ② 本製品は必ず、弊社のイジェクタとセットで使用のこと。
- ③ ネジ締めは、リフローはんだ付けの後に行うこと。
- ④ 推奨ネジ締めトルク：0.15~0.2Nm(1.5~2Kgf・cm)
- ⑤ 適応PCカード：PCMCIA準拠のPCカード
- ⑥ 一般公差：±0.5，±3°
- ⑦ 取付け適合イジェクタ；1565777-1

NOTE:

- ① POST LENGTH ARE SHOWN TABLE 1.
- ② SHALL BE USE ALTOGETHER THE HEADER AND AMP'S EJECTOR.
- ③ TIGHTEN A SCREW AFTER REFLOW SOLDERING.
- ④ RECOMMENDED TIGHTENING TORQUE:0.15~0.2Nm(1.5~2Kgf・cm)
- ⑤ APPLIED CARD:PCMCIA ATTRIBUTE PC CARD.
- ⑥ GENERAL TOLERANCE:±0.5，±3°
- ⑦ EJECTOR TO BE SET: 1565777-1

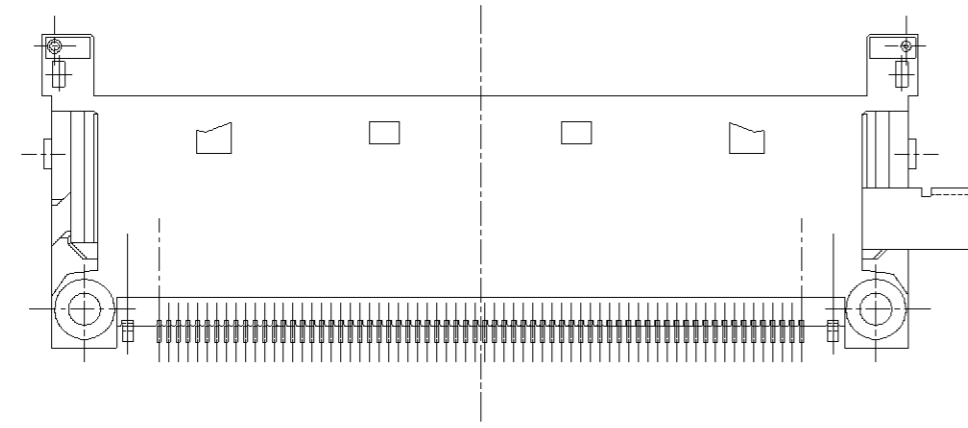
POST LENGTH	5	3.5	4.25
回路番号 CIRCUIT NO.	1,17,34,35,51,68	36,67	その他 OTHERS

△ TABLE 1
表 1



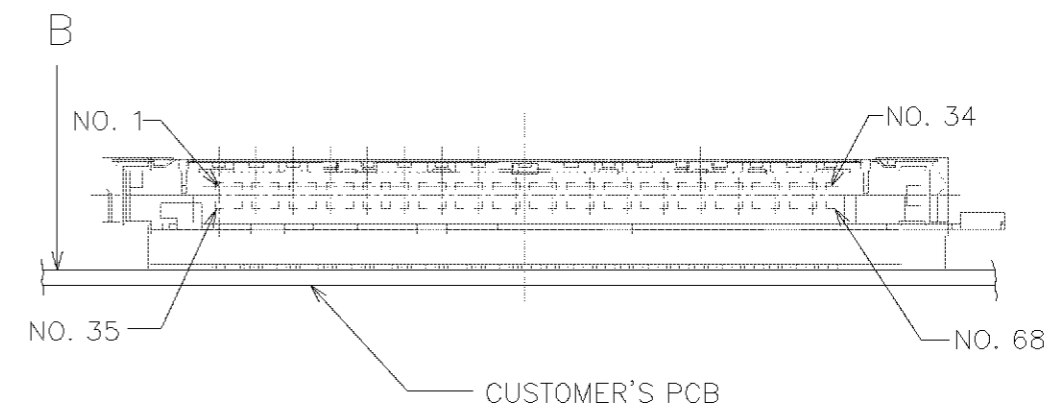
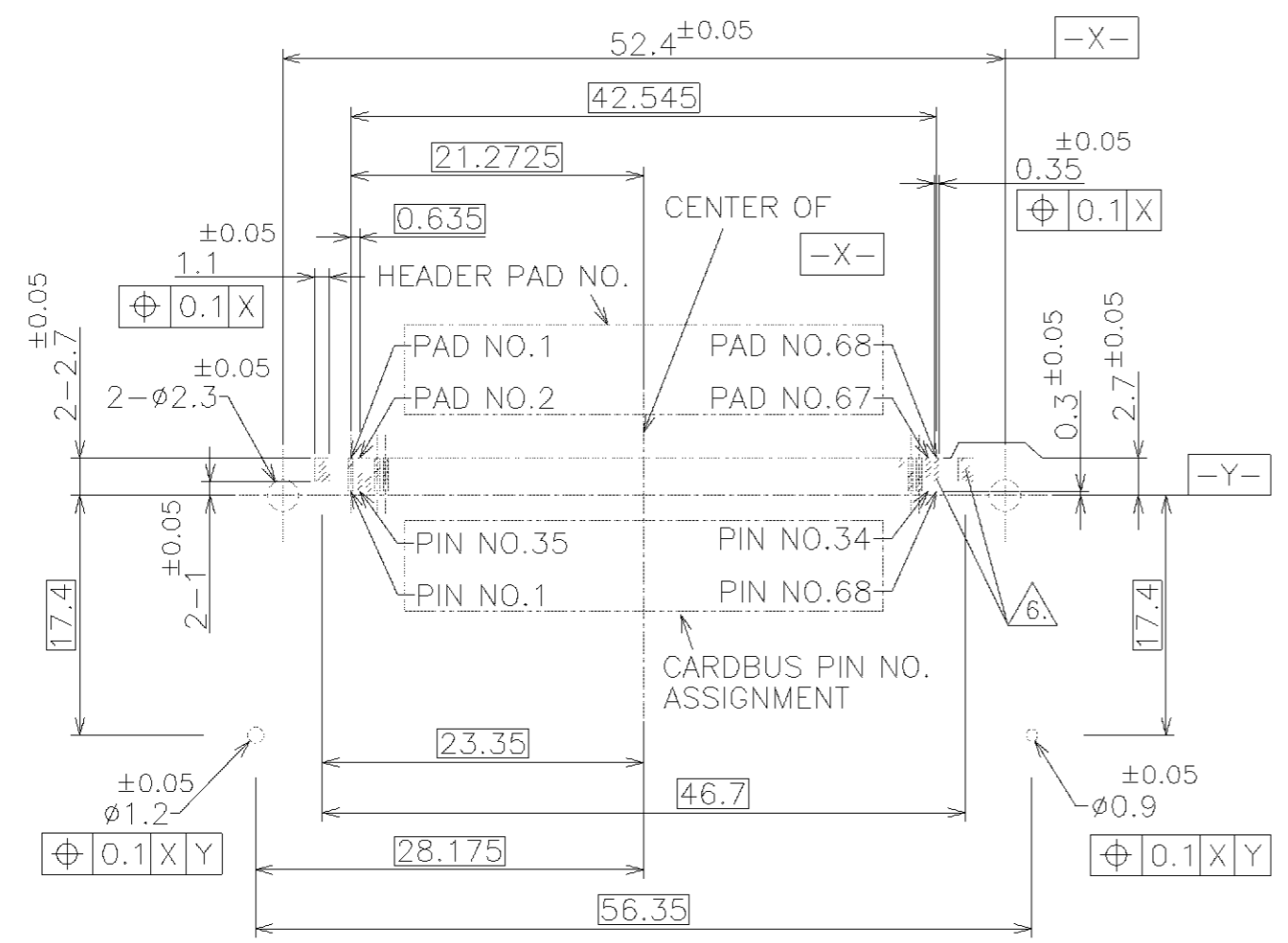
0-1565776-1 : AS SHOWN

QTY	NAME	ITEM
2	GROUND CONTACT	⑥
2	NUT(M2)	⑤
1	GROUND PLATE	④
1	ARM BAR	③
68	CONTACT	②
1	HOUSING	①



THIS DRAWING IS A CONTROLLED DOCUMENT.		DWN S.WATANABE 14.FEB.'02	Tyco Electronics AMP K.K. Kawasaki, Japan	
DIMENSIONS: 単位： 寸 MM		CHK T.KUSUHARA 15.FEB.'02		
TOLERANCES UNLESS OTHERWISE SPECIFIED: 一般公差		APVD I.ENOMOTO 15.FEB.'02	NAME 名称 SINGLE SLOT CARDBUS HEADER ASSY TOP MOUNT TYPE , RIGHT BUTTON WITH NUT	
0 PLC ± - 1 PLC ± - 2 PLC ± - 3 PLC ± - 4 PLC ± - ANGLES ± -		PRODUCT SPEC 製品規格 108-5678	SIZE A3	CAGE CODE 00779
MATERIAL 材料		APPLICATION SPEC 取付適用規格 411-5942	DRAWING NO 番号 C-1565776	RESTRICTED TO -
		WEIGHT 5.4g		
		CUSTOMER DRAWING		SCALE 尺度 2:1
				SHEET 1 OF 2
				REV 0

LOC	DIST	REVISIONS		
J		P	LTR	DATE



APPLICABLE P.C.BOARD LAYOUT
 VIEW "B"
 SCALE:2:1
 (HEADER CONNECTOR MOUNTING LAYOUT DETAIL)

HEADER PAD NO.	CARDBUS PIN NO. ASSIGNMENT
1	1
2	35
3	2
4	36
5	3
6	37
7	4
8	38
9	5
10	39
11	6
12	40
13	7
14	41
15	8
16	42
17	9
18	43
19	10
20	44
21	11
22	45
23	12
24	46
25	13
26	47
27	14
28	48
29	15
30	49
31	16
32	50
33	17
34	51
35	18
36	52
37	19
38	53
39	20
40	54
41	21
42	55
43	22
44	56
45	23
46	57
47	24
48	58
49	25
50	59
51	26
52	60
53	27
54	61
55	28
56	62
57	29
58	63
59	30
60	64
61	31
62	65
63	32
64	66
65	33
66	67
67	34
68	68

THIS DRAWING IS A CONTROLLED DOCUMENT.		DWN	Tyco Electronics AMP K.K. Kawasaki, Japan	
DIMENSIONS: 単位: 耗 MM		CHK		
TOLERANCES UNLESS OTHERWISE SPECIFIED: 一般公差		APVD	NAME 名称	
0 PLC ± - 1 PLC ± - 2 PLC ± - 3 PLC ± - 4 PLC ± - ANGLES ± -		PRODUCT SPEC 製品規格	SINGLE SLOT CARDBUS HEADER ASSY TOP MOUNT TYPE, RIGHT BUTTON WITH NUT	
MATERIAL 材料		APPLICATION SPEC 取付適用規格	SIZE	CAGE CODE
FINISH 仕上		WEIGHT	A3	00779
			DRAWING NO 番号 C-1565776	
		CUSTOMER DRAWING		RESTRICTED TO
		SCALE 尺度 2:1	SHEET 2 OF 2	REV 0