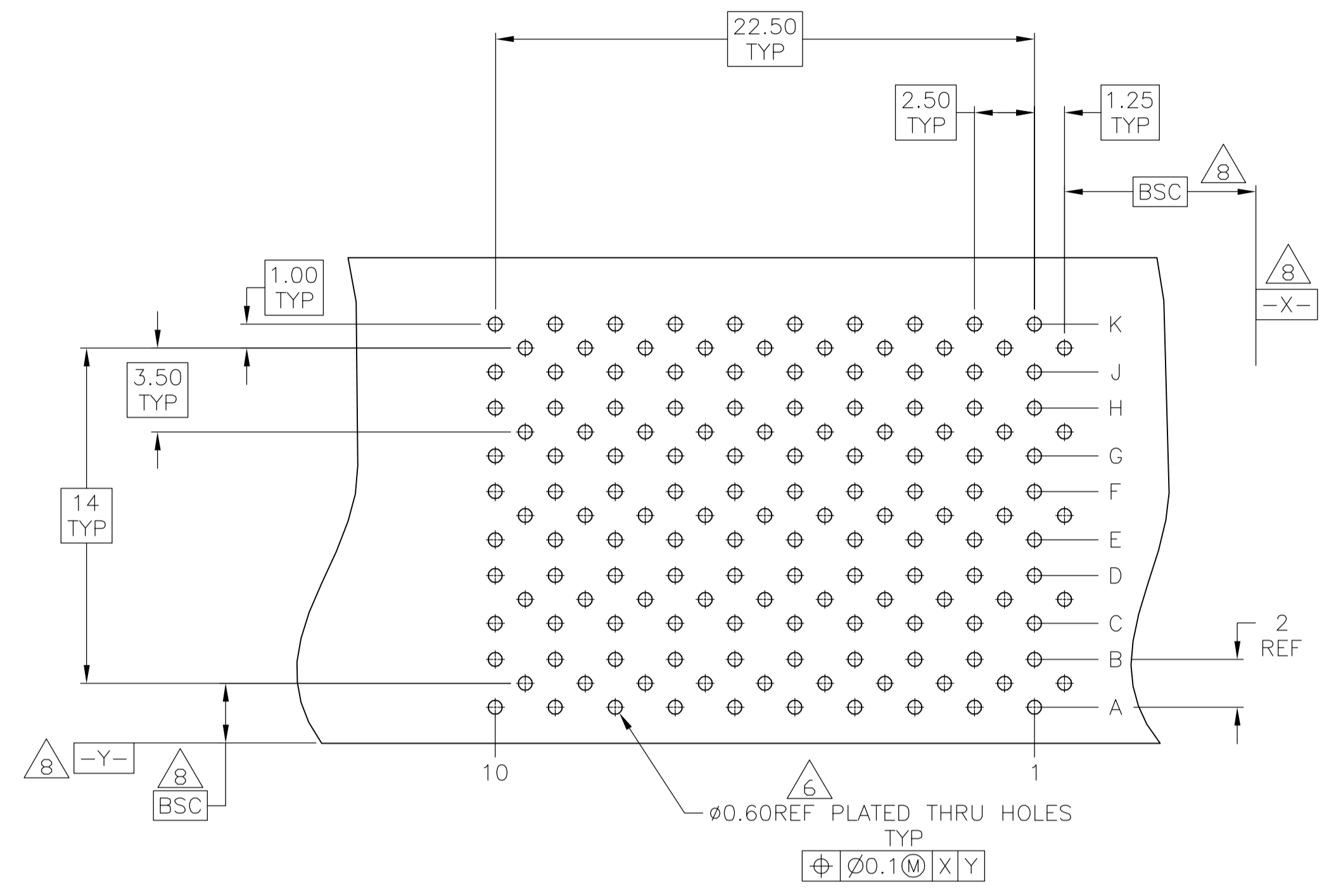
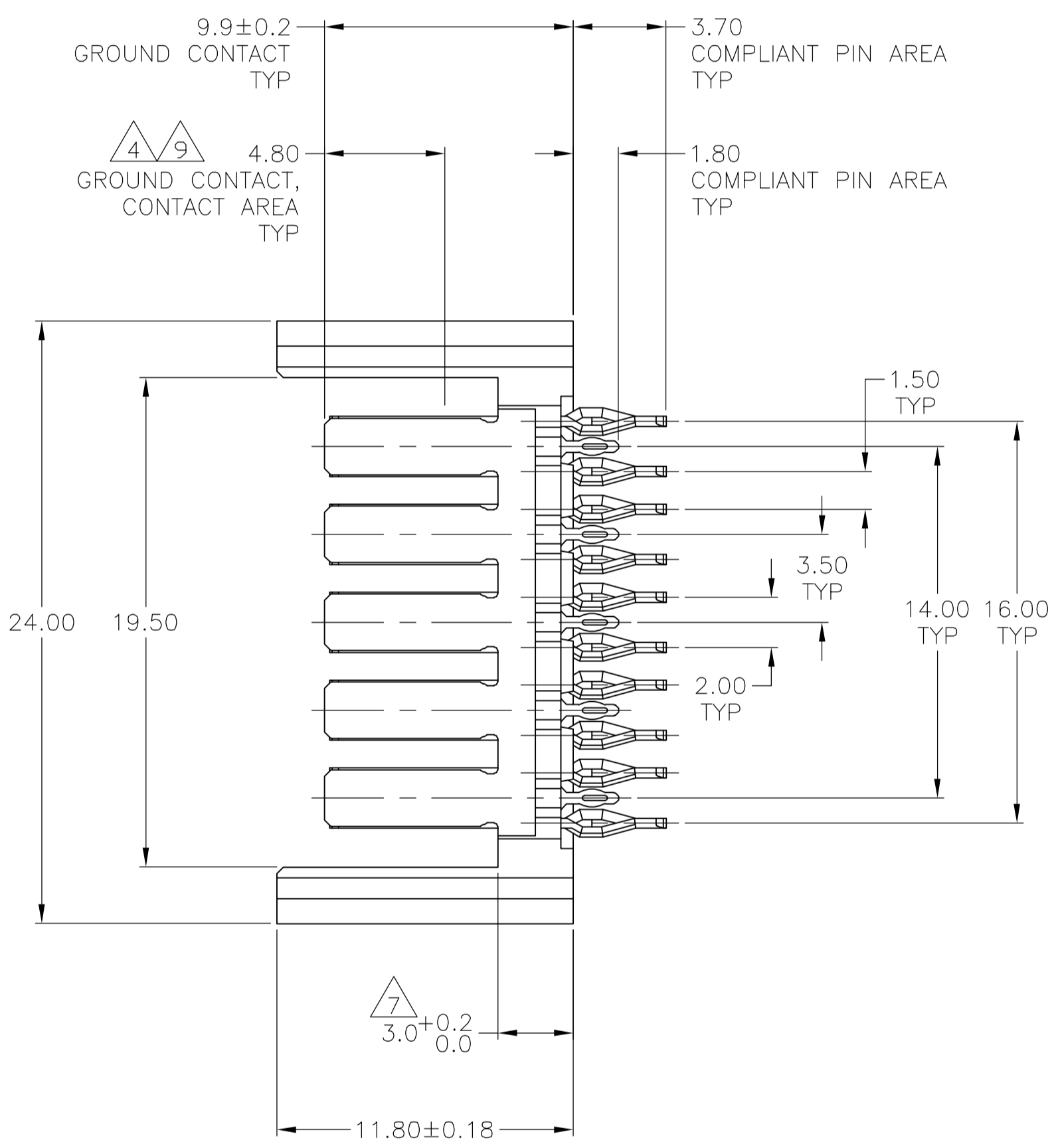
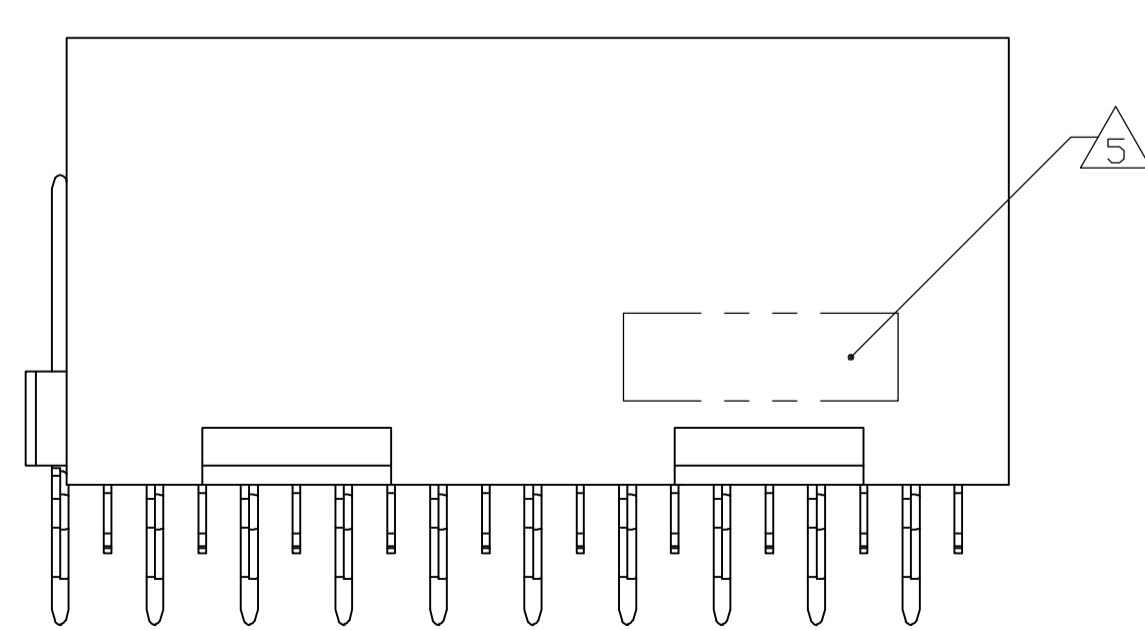
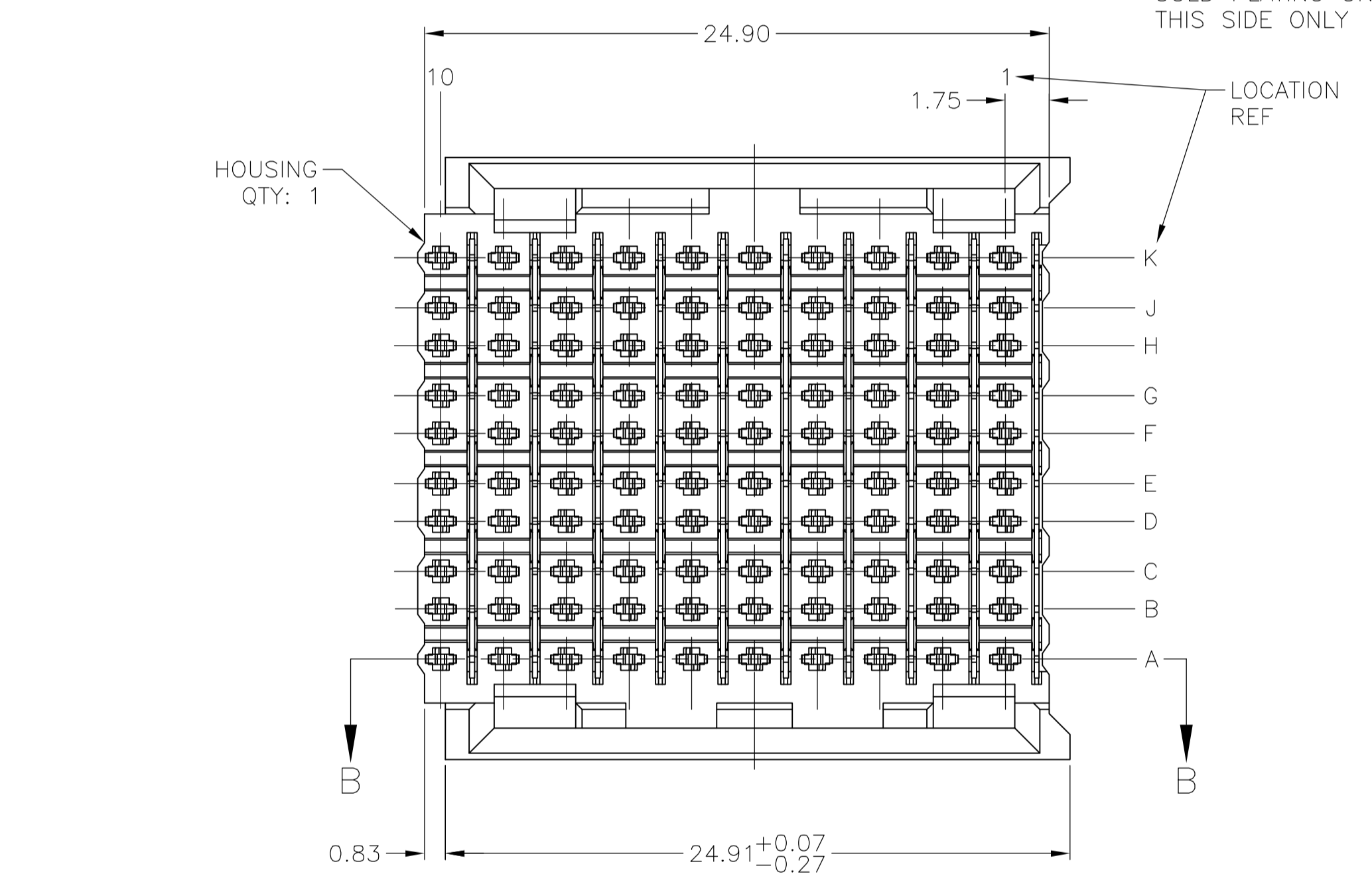
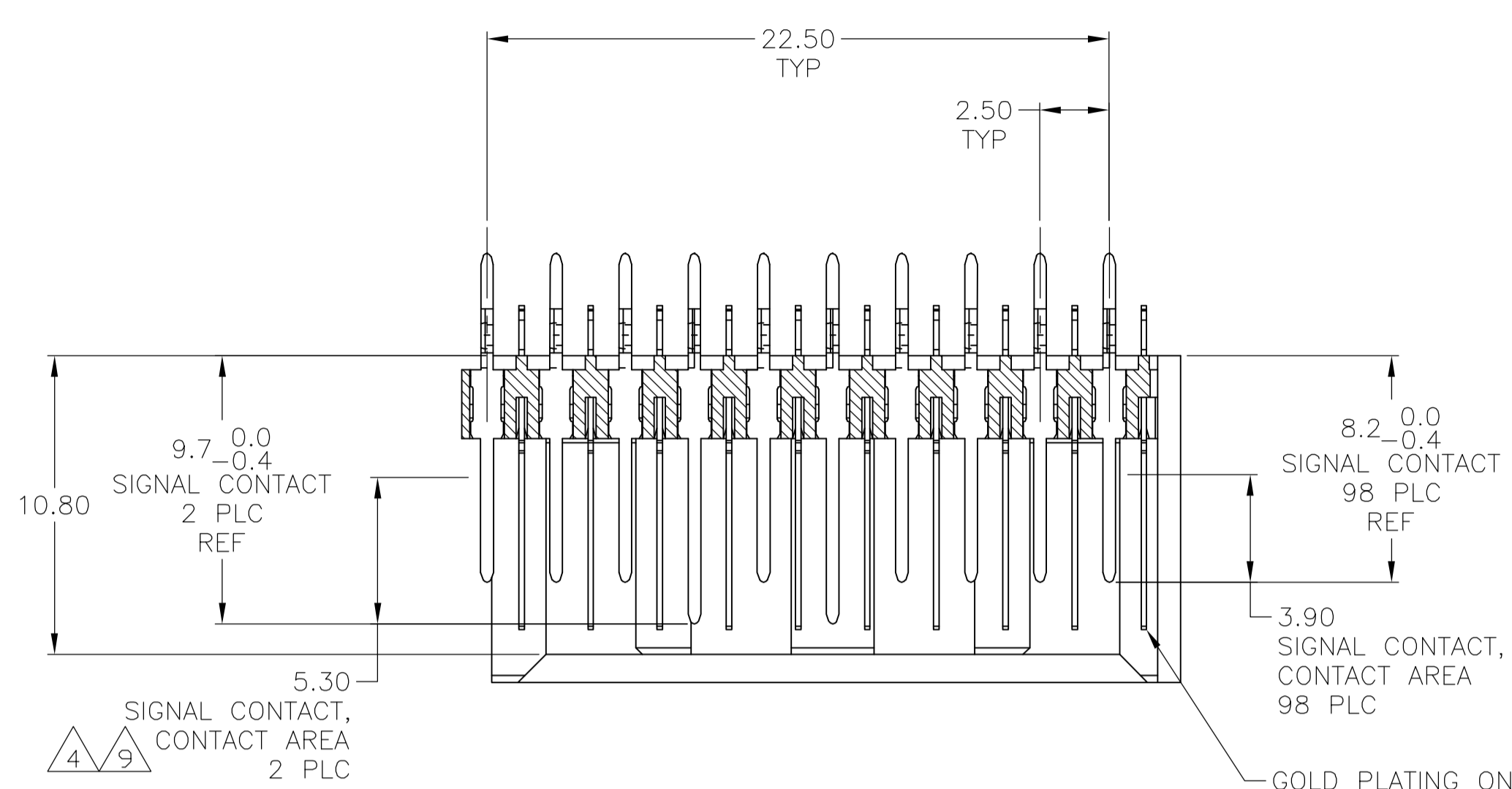
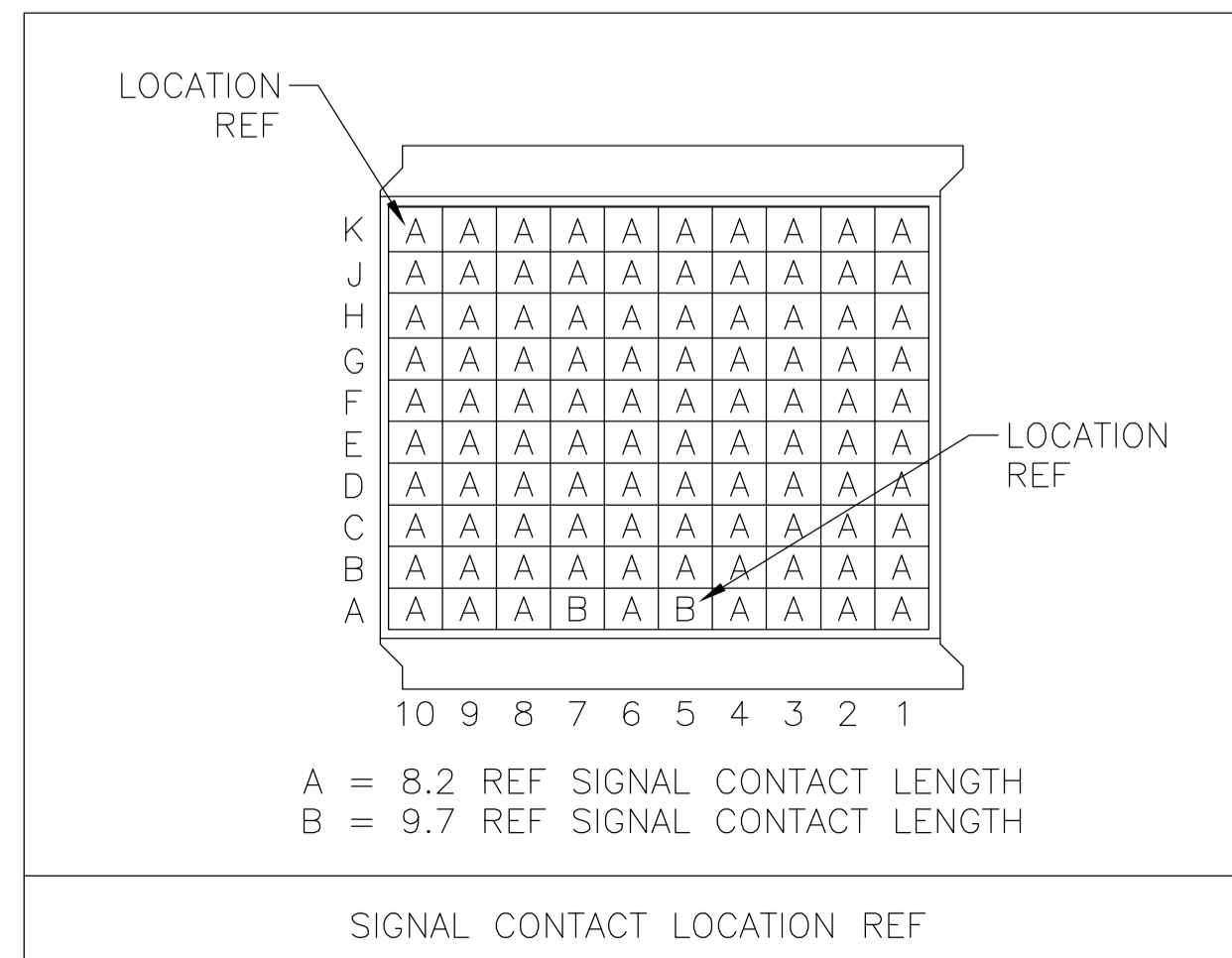


- △ PHOSPHOR BRONZE
- △ LCP, UL94V-0
- △ 0.76um MIN GOLD OVER 1.27um MIN NICKEL UNDERPLATE OR GOLD FLASH OVER 0.76um MIN PALLADIUM NICKEL OVER 1.27um MIN NICKEL UNDERPLATE ON CONTACT AREA. 0.76um MIN TIN LEAD OVER 1.27um MIN NICKEL ON COMPLIANT PIN AREA
- △ CONNECTOR MARKED WITH PART NUMBER AND DATE CODE
- △ REFERENCE APPLICATION SPEC 114-13020 FOR RECOMMENDED PLATED THRU HOLE DIAMETER AND PLATING THICKNESSES
- △ APPLICATION SEATING HEIGHT TO PRINTED CIRCUIT BOARD
- △ DATUMS AND BASIC DIMENSIONS ESTABLISHED BY CUSTOMER
- △ CONTACT AREA LUBRICATED WITH BELLCORE APPROVED LUBRICANT TECHNICAL REFERENCE: GR-1217-CORE, ISSUE 1, NOVEMBER 1995



RECOMMENDED
 PRINTED CIRCUIT BOARD
 LAYOUT
 COMPONENT SIDE OF PRINTED CIRCUIT BOARD



ROW A: 5, 7	ROWS B THRU K: 1-4, 6, 8-10	120909-1
SIGNAL CONTACT TYPE B QTY: 2	SIGNAL CONTACT TYPE A QTY: 98	PART NUMBER

THIS DRAWING IS A CONTROLLED DOCUMENT.		DWG: B CARBO 150CT02	Tyco Electronics Corporation Harrisburg, Pa 17105-3608	
DIMENSIONS: mm		CHK: R PATTERSON 150CT02	NAME: R PATTERSON 150CT02	
TOLERANCES UNLESS OTHERWISE SPECIFIED:		PRODUCT SPEC		
0 PLC ± -		APPLICATION SPEC		
1 PLC ± -		SIZE: A1		
2 PLC ± 0.13		CAGE CODE: 00779		
3 PLC ± 0.05		DRAWING NO: 120909		
4 PLC ± -		RESTRICTED TO: -		
ANGLES ± -		WEIGHT: -		
MATERIAL: △ 2 △ 3		CUSTOMER DRAWING		
FINISH: △ 4		SCALE: 5:1		
		SHEET: 1 of 1		
		REV: B1		