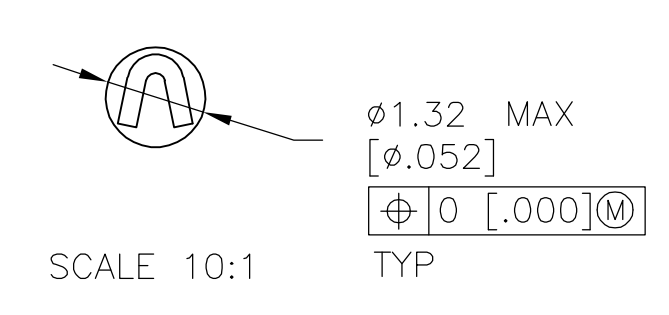
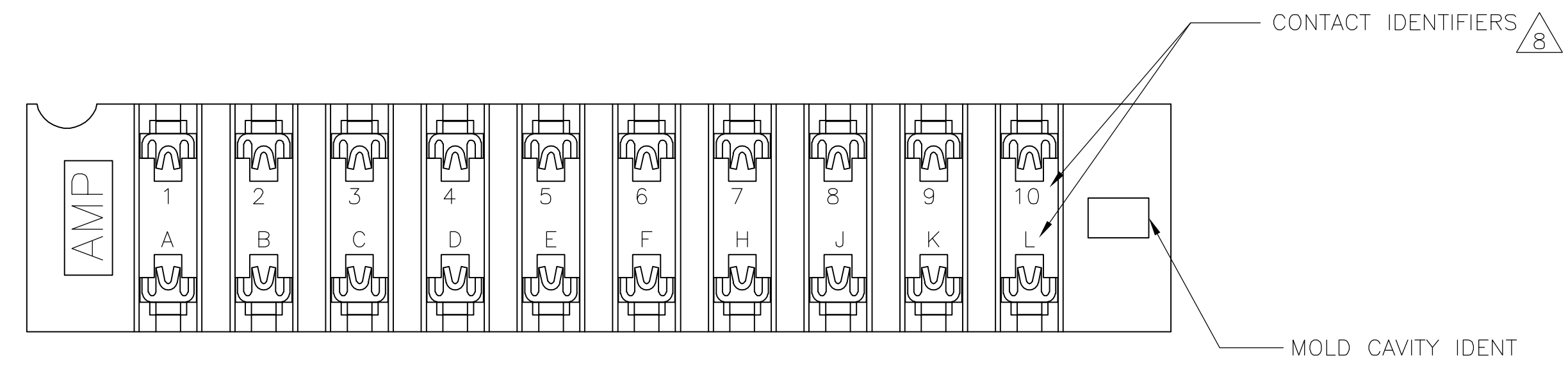
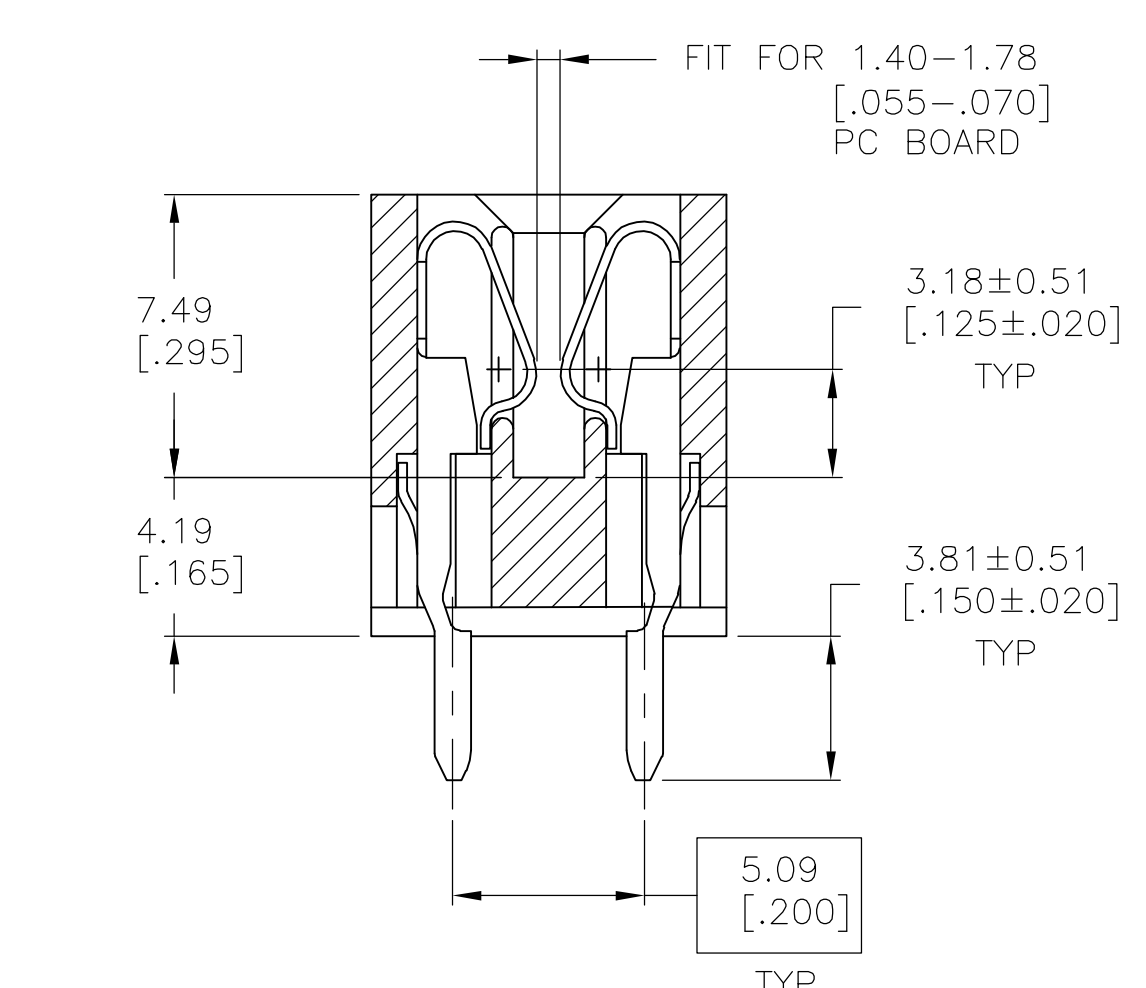
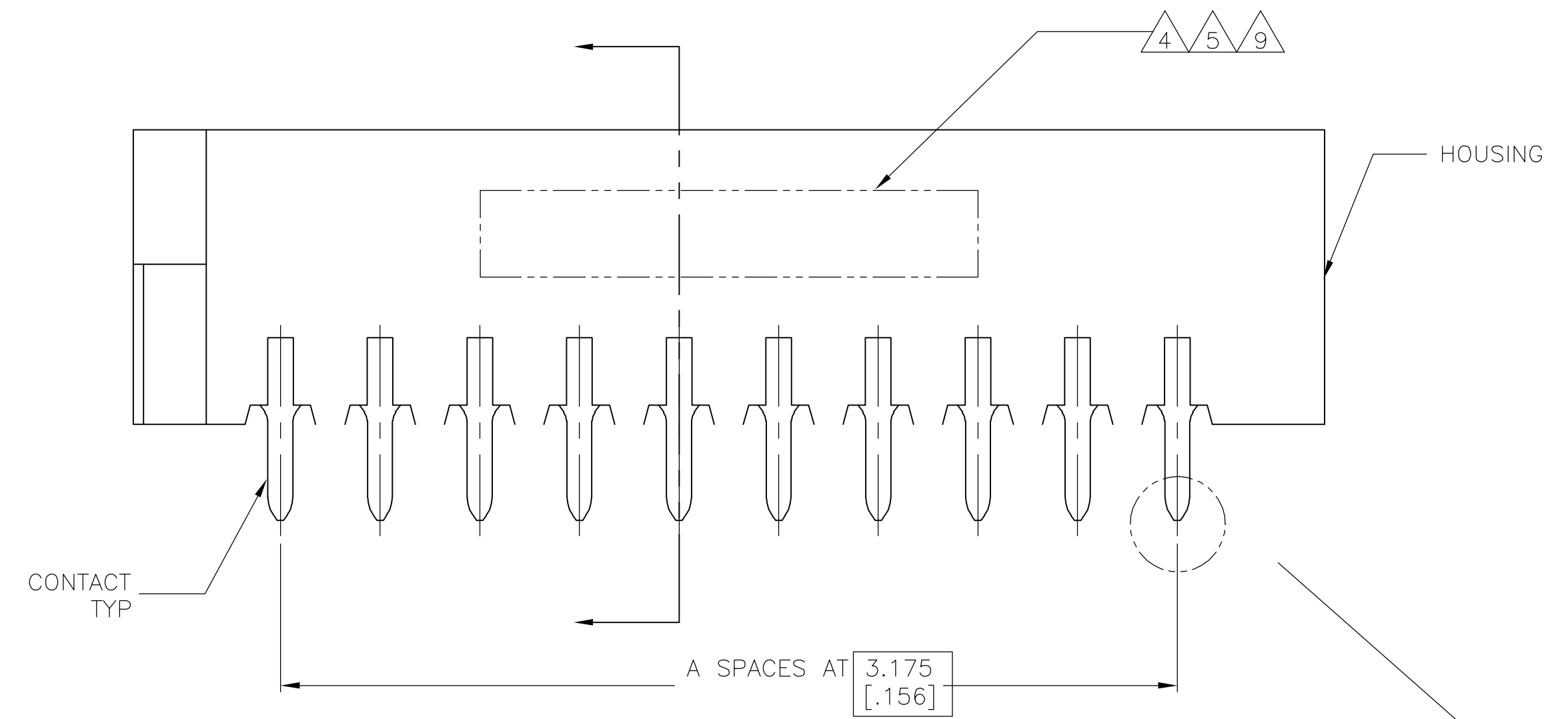
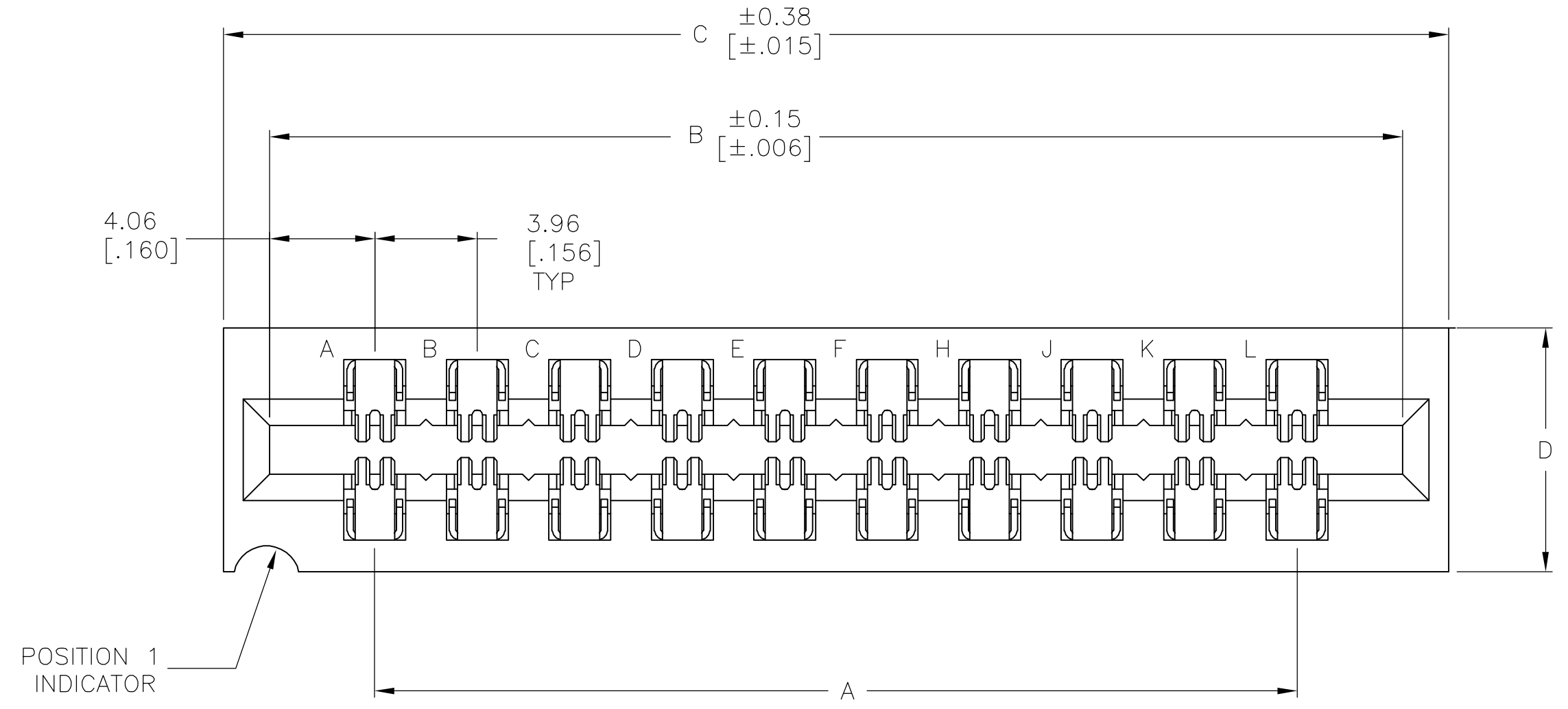


- 1 0.38µm[.000015] MIN GOLD ALL OVER 1.27µm[.000050] MIN NICKEL IN CONTACT AREA
- 2 0.76µm[.000030] MIN GOLD ALL OVER 1.27µm[.000050] MIN NICKEL IN CONTACT AREA
- 3 0.51µm[.000020] MIN GOLD ALL OVER 1.27µm[.000050] MIN NICKEL IN CONTACT AREA
- 4 NO INK STAMPING ON 1-153666-5 PART
- 5 ALL PARTS ASSEMBLED IN MEXICO MUST BE STAMPED "ASSY IN MEXICO"
 THE WORD "MEXICO" CAN BE SUBSTITUTED ONLY WHERE PART SIZE PROHIBITS
 STAMPING "ASSY IN MEXICO" INK STAMP COLOR WHITE OR HOT STAMP (NO WHITE TAPE)
 115-9009 APPROX. WHERE SHOWN SIDE OPTIONAL
- 6 MATTE TIN PLATED CONTACT TAILS
- 7 HOUSING: GLASS FILLED POLYESTER, GREEN
 CONTACTS: PHOSPHOR BRONZE
- 8 MOLDED CHARACTERS (UPPER & LOWER CASE LETTERS FOLLOWED BY UPPER CASE
 LETTERS AA, AB, ETC.) OMITTING LETTERS G,I,O, & Q
- 9 AMP PART NUMBER AND DATE CODE INK STAMPED WHITE OR HOT STAMP
 NO WHITE TAPE IN THIS AREA (SIDE OPTIONAL)
- 10 BRIGHT TIN POST



LOC	DIST	FINISH	NO OF POSN	PART NUMBER
11.10	178.10	174.55	166.42	43 8-530666-3
[.437]	[7.012]	[6.872]	[6.552]	
11.10	118.67	115.11	106.98	28 8-530666-2
[.437]	[4.672]	[4.532]	[4.212]	
11.10	126.59	123.04	114.91	30 7-530666-9
[.437]	[4.984]	[4.844]	[4.524]	
9.40	94.89	91.34	83.21	22 7-530666-6
[.370]	[3.736]	[3.596]	[3.276]	
9.40	79.04	75.49	67.36	18 7-530666-5
[.370]	[3.112]	[2.972]	[2.652]	
9.40	67.16	63.60	55.47	15 7-530666-4
[.370]	[2.644]	[2.504]	[2.184]	
9.40	55.27	51.71	43.59	12 7-530666-3
[.370]	[2.176]	[2.036]	[1.716]	
9.40	47.35	43.79	35.66	10 7-530666-2
[.370]	[1.864]	[1.724]	[1.404]	
9.40	31.50	27.94	19.81	6 7-530666-1
[.370]	[1.240]	[1.100]	[.780]	
11.10	178.10	174.55	166.42	43 3-530666-3
[.437]	[7.012]	[6.872]	[6.552]	
9.40	118.67	115.11	106.98	28 3-530666-2
[.370]	[4.672]	[4.532]	[4.212]	
11.10	182.07	178.51	170.38	44 3-530666-1
[.437]	[7.168]	[7.028]	[6.708]	
11.10	150.37	146.81	138.68	36 3-530666-0
[.437]	[5.920]	[5.780]	[5.460]	
11.10	126.59	123.04	114.91	30 2-530666-9
[.437]	[4.984]	[4.844]	[4.524]	
9.40	106.78	103.23	95.10	25 2-530666-8
[.370]	[4.204]	[4.064]	[3.744]	
9.40	102.82	99.26	91.14	24 2-530666-7
[.370]	[4.048]	[3.908]	[3.588]	
9.40	94.89	91.34	83.21	22 2-530666-6
[.370]	[3.736]	[3.596]	[3.276]	
9.40	79.04	75.49	67.36	18 2-530666-5
[.370]	[3.112]	[2.972]	[2.652]	
9.40	67.16	63.60	55.47	15 2-530666-4
[.370]	[2.644]	[2.504]	[2.184]	
9.40	55.27	51.71	43.59	12 2-530666-3
[.370]	[2.176]	[2.036]	[1.716]	
9.40	47.35	43.79	35.66	10 2-530666-2
[.370]	[1.864]	[1.724]	[1.404]	
9.40	31.50	27.94	19.81	6 2-530666-1
[.370]	[1.240]	[1.100]	[.780]	
9.40	118.67	115.11	106.98	28 1-530666-5
[.370]	[4.672]	[4.532]	[4.212]	
11.10	178.10	174.55	166.42	43 1-530666-3
[.437]	[7.012]	[6.872]	[6.552]	
9.40	118.67	115.11	106.98	28 1-530666-2
[.370]	[4.672]	[4.532]	[4.212]	
11.10	182.07	178.51	170.38	44 1-530666-1
[.437]	[7.168]	[7.028]	[6.708]	
11.10	150.37	146.81	138.68	36 1-530666-0
[.437]	[5.920]	[5.780]	[5.460]	
11.10	126.59	123.04	114.91	30 530666-9
[.437]	[4.984]	[4.844]	[4.524]	
9.40	106.78	103.23	95.10	25 530666-8
[.370]	[4.204]	[4.064]	[3.744]	
9.40	102.82	99.26	91.14	24 530666-7
[.370]	[4.048]	[3.908]	[3.588]	
9.40	94.89	91.34	83.21	22 530666-6
[.370]	[3.736]	[3.596]	[3.276]	
9.40	79.04	75.49	67.36	18 530666-5
[.370]	[3.112]	[2.972]	[2.652]	
9.40	67.16	63.60	55.47	15 530666-4
[.370]	[2.644]	[2.504]	[2.184]	
9.40	55.27	51.71	43.59	12 530666-3
[.370]	[2.176]	[2.036]	[1.716]	
9.40	47.35	43.79	35.66	10 530666-2
[.370]	[1.864]	[1.724]	[1.404]	
9.40	31.50	27.94	19.81	6 530666-1
[.370]	[1.240]	[1.100]	[.780]	

THIS DRAWING IS A CONTROLLED DOCUMENT. DWN D. HARDY 12SEP97
 OK R. STONE 16SEP97
 APPO D. WIKF 18SEP97

tyco Electronics Tyco Electronics Corporation
 Harrisburg, Pa 17105-3608

DIMENSIONS: mm [INCHES] TOLERANCES UNLESS OTHERWISE SPECIFIED:
 0 PLC ± -
 1 PLC ± .13 [.005]
 2 PLC ± -
 3 PLC ± -
 4 PLC ± -
 ANGLES ± -

PRODUCT SPEC: 108-9044
 APPLICATION SPEC: -

MATERIAL: SEE TABLE FINISH: -

SIZE: A1 CAGE CODE: 00779 DRAWING NO: 530666
 WEIGHT: - RESTRICTED TO: -

CUSTOMER DRAWING SCALE: 5:1 SHEET: 1 OF 1 REV: K