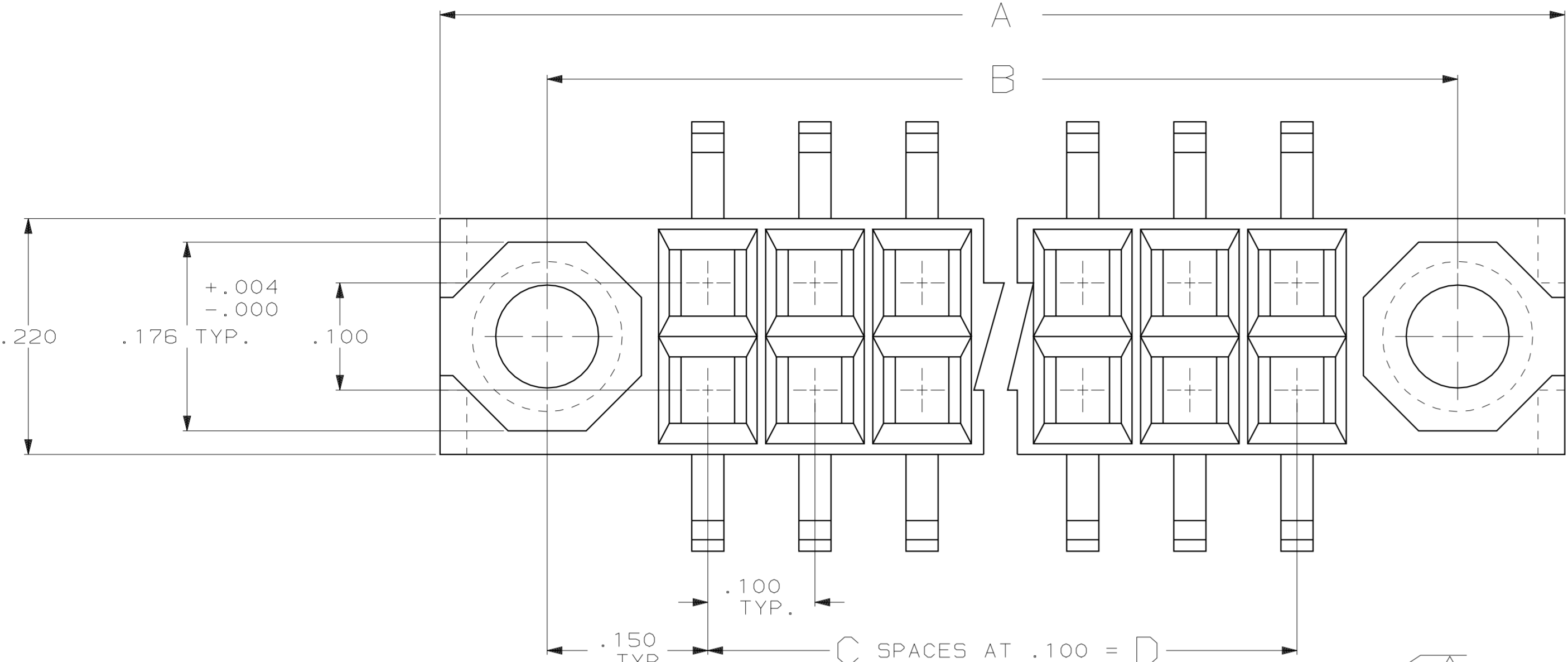
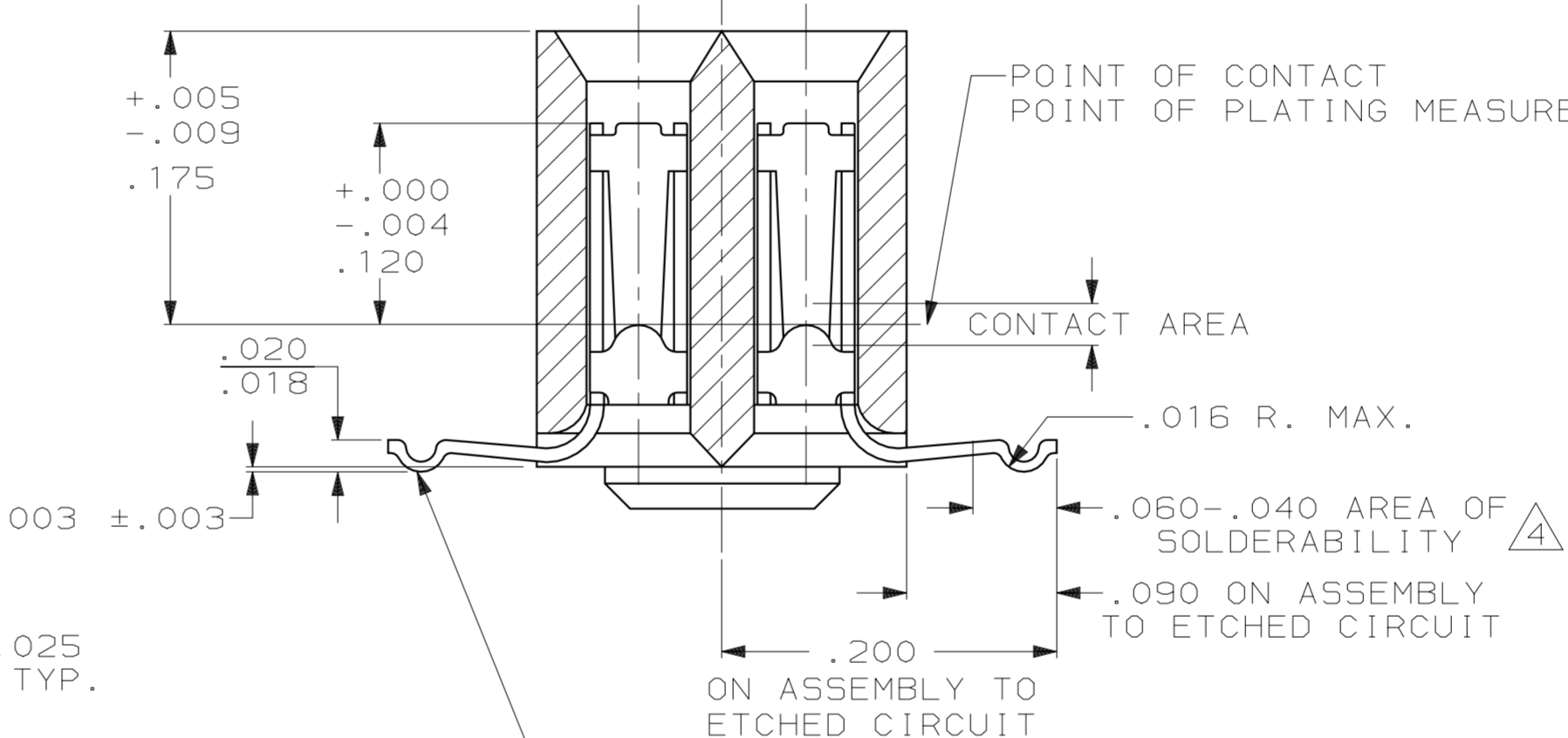
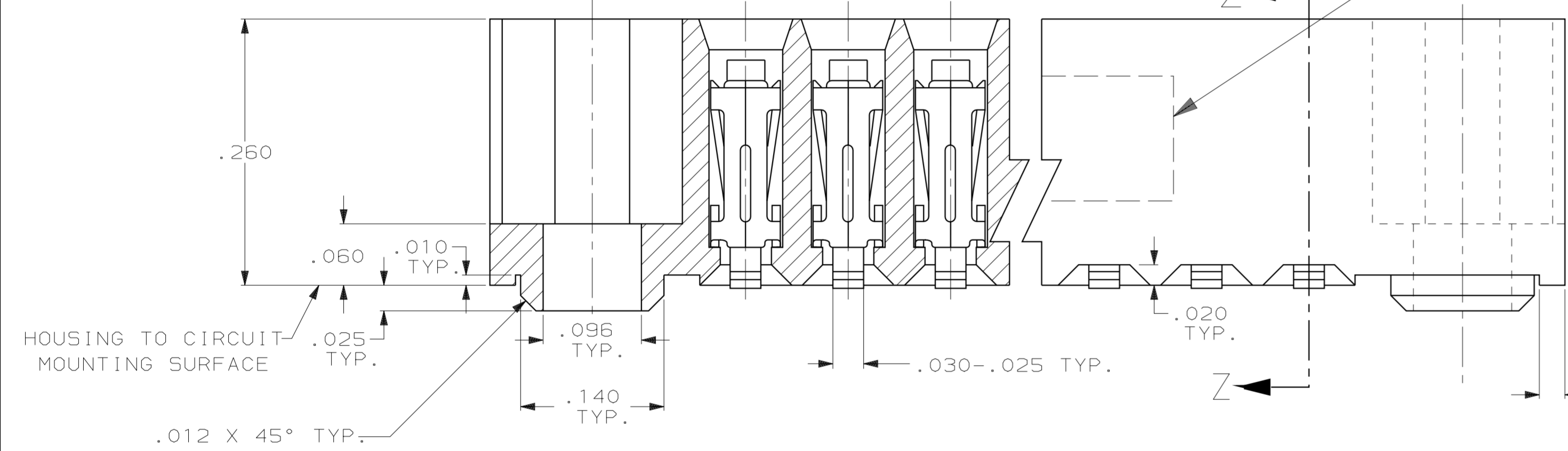


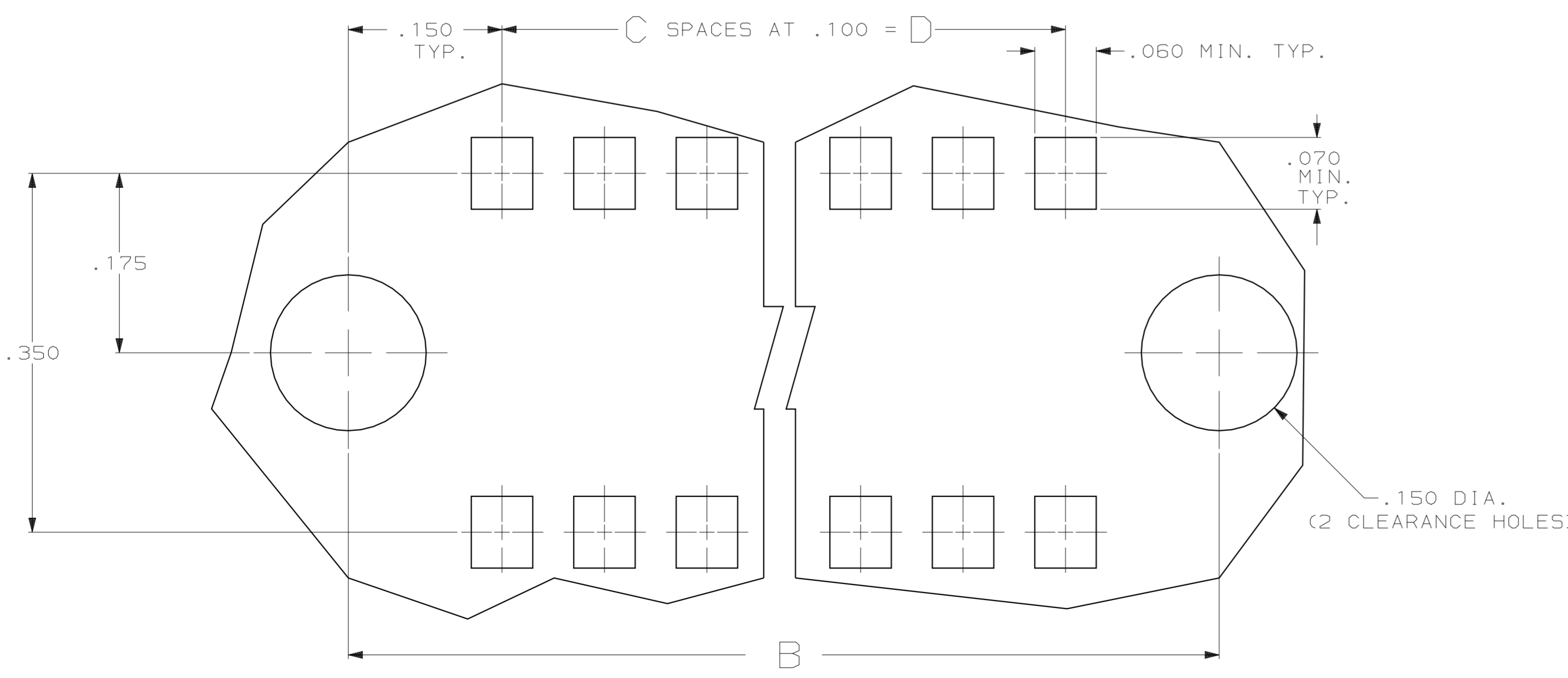
LOC		DIST		REVOLUTIONS		REVISIONS		
AD	40	P	F	ZONE	LTR	DESCRIPTION	DATE	APPD
					C	OBSELETE PER AD6740	2/3/93	BF
					D	REL -8,1-0,1-6,2-4,-9 PER PPR	2/3/93	BF
					E	REL -5,1-3 PER PPR	2/3/93	BF
					F	REV PER 0010-0516-92 & 0010-0250-92	2/3/93	BF
					G	REV PER 0010-0525-94 JK	4-23-94	AG
					H	REV PER 0010-0928-94 JK	6-27-94	AG



- ① HOUSING MATERIAL : THERMOPLASTIC , RYTON R4 POLYPHENYLENE SULFIDE , PER MIL-M-24519 , TYPE GST-T40F .
- ② CONTACT MATERIAL : PHOSPHOR BRONZE , TEMPER HARD ,PER QQ-B-750 , COMPOSITION : A .
- ③ CONTACT FINISH:.000050 GOLD MIN. PER MIL-G-45204 ,TYPE II , CLASS 0 , GRADE C , IN CONTACT AREA ONLY OVER .000050 MIN. NICKEL UNDERPLATE ALL OVER PER QQ-N-290 , CLASS 1 , GRADE N/A , GOLD FLASH OVER BALANCE OF CONTACT BOX STRUCTURE . .000300 MIN . REFLOWED TIN-LEAD ON SOLDER LEAD , PER MIL-P-81728 .
- ④ SOLDER LEAD FOOT FORM MUST PASS SOLDERABILITY PER MIL-STD-202 , METHOD 208 E .
- 6. THIS DRAWING IS RESTRICTED TO ROCKWELL CORPORATION.
- ⑤ "AMP", "CSA", DATE CODE AND PART NUMBER MARKED IN WHITE WITH .062±.015 HIGH CHARACTERS WHERE SIZE PERMITS. THE ORDER AND LOCATION IS OPTIONAL.



2.900	29	3.200	3.400	60	-
2.800	28	3.100	3.300	58	-
2.700	27	3.000	3.200	56	2-534284-4
2.600	26	2.900	3.100	54	-
2.500	25	2.800	3.000	52	-
2.400	24	2.700	2.900	50	-
2.300	23	2.600	2.800	48	-
2.200	22	2.500	2.700	46	-
2.100	21	2.400	2.600	44	-
2.000	20	2.300	2.500	42	-
1.900	19	2.200	2.400	40	1-534284-6
1.800	18	2.100	2.300	38	-
OBSELETE	1.700	17	2.000	36	1-534284-4
	1.600	16	1.900	34	1-534284-3
OBSELETE	1.500	15	1.800	32	-
	1.400	14	1.700	30	1-534284-1
	1.300	13	1.600	28	1-534284-0
	1.200	12	1.500	26	534284-9
	1.100	11	1.400	24	534284-8
OBSELETE	1.000	10	1.300	22	-
	.900	9	1.200	20	534284-6
OBSELETE	.800	8	1.100	18	534284-5
	.700	7	1.000	16	534284-4
OBSELETE	.600	6	.900	14	-
	.500	5	.800	12	534284-2
	.400	4	.700	10	-



RECOMMENDED ETCHED CIRCUIT LAYOUT
 DIMENSIONS & TOLERANCES IN ACCORDANCE WITH ANSI/IPC-D-300G , TYPE 1 , CLASS C

DO NOT SCALE PRINT. UNLESS SPECIFIED DIMENSIONS IN mm [INCHES] TOLERANCES ON : 2 PLC DEC ± .005 3 PLC DEC ± .005 ANGLES ± -	DR 2/3/93 J MOSER CHK 2/3/93 B FLINCHBAUGH APPD 2/3/93 B FLINCHBAUGH APPD 2/3/93 B FLINCHBAUGH	AMP AMP Incorporated Harrisburg, PA 17105-3608	
MATERIAL ①②	PRODUCT SPEC -	NAME RECEPTACLE ASSEMBLY, SURFACE MOUNT .100 X .100 Ø WITH TOP ENTRY, .260 HIGH HOUSING, MOD IV, AMPMODU	
FINISH ③	APPLICATION SPEC -	SIZE D	CAGE CODE 00779
WEIGHT -		DRAWING NO C= 534284	SHEET 1 OF 1

THIS DRAWING IS A CONTROLLED DOCUMENT FOR AMP INCORPORATED. IT IS SUBJECT TO CHANGE AND THE CONTROLLING ENGINEERING ORGANIZATION SHOULD BE CONTACTED FOR THE LATEST REVISION.