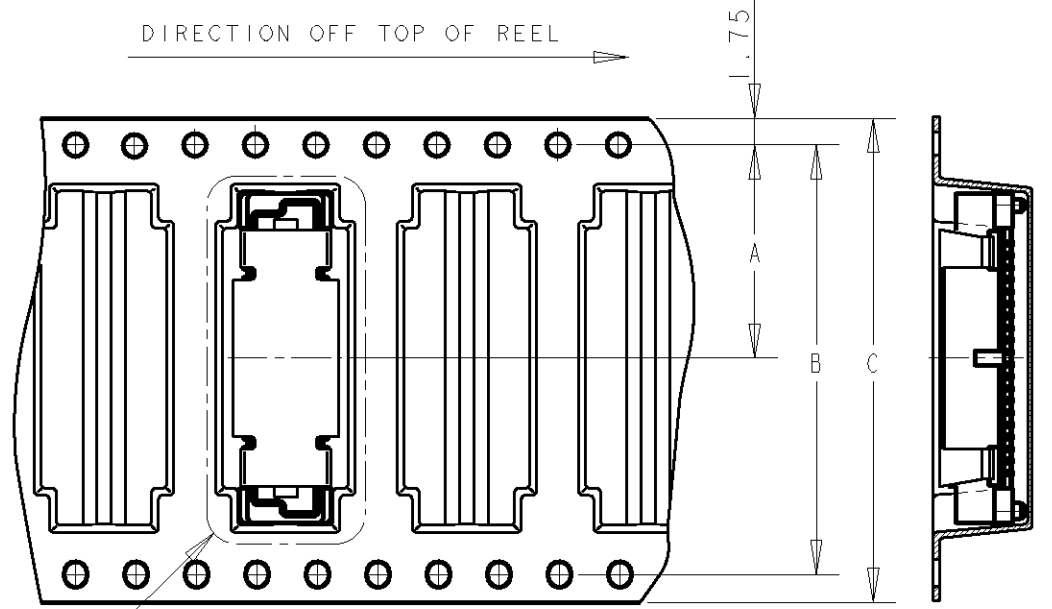


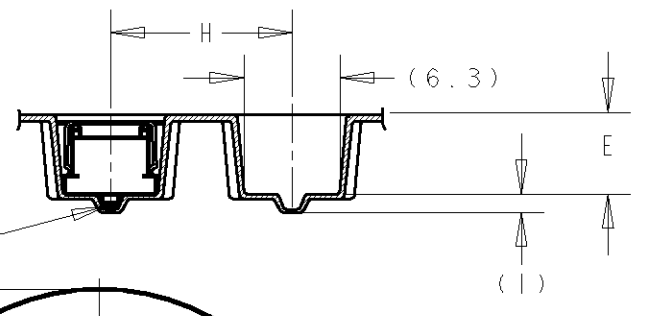
THIS DRAWING IS UNPUBLISHED. RELEASED FOR PUBLICATION .19  
 BY AMP INCORPORATED. ALL RIGHTS RESERVED.

LOC	DIST	REVISIONS					
DY	-	P	LTR	DESCRIPTION	DATE	DWN	APVD
		AJ		REVISED PER ECR-08-010155	22APR08	SYJ	LSF

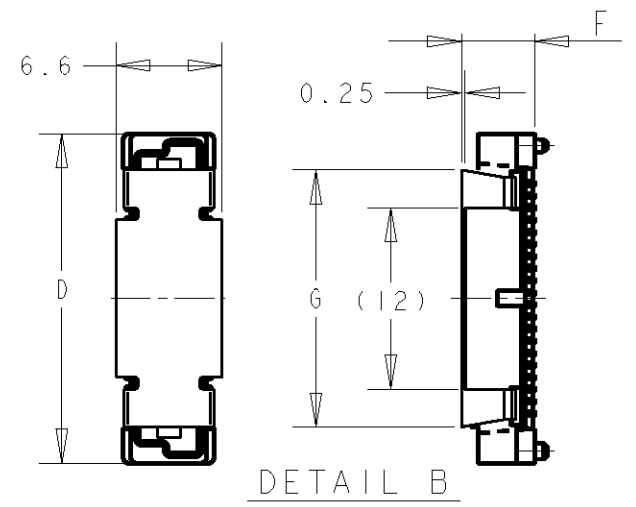
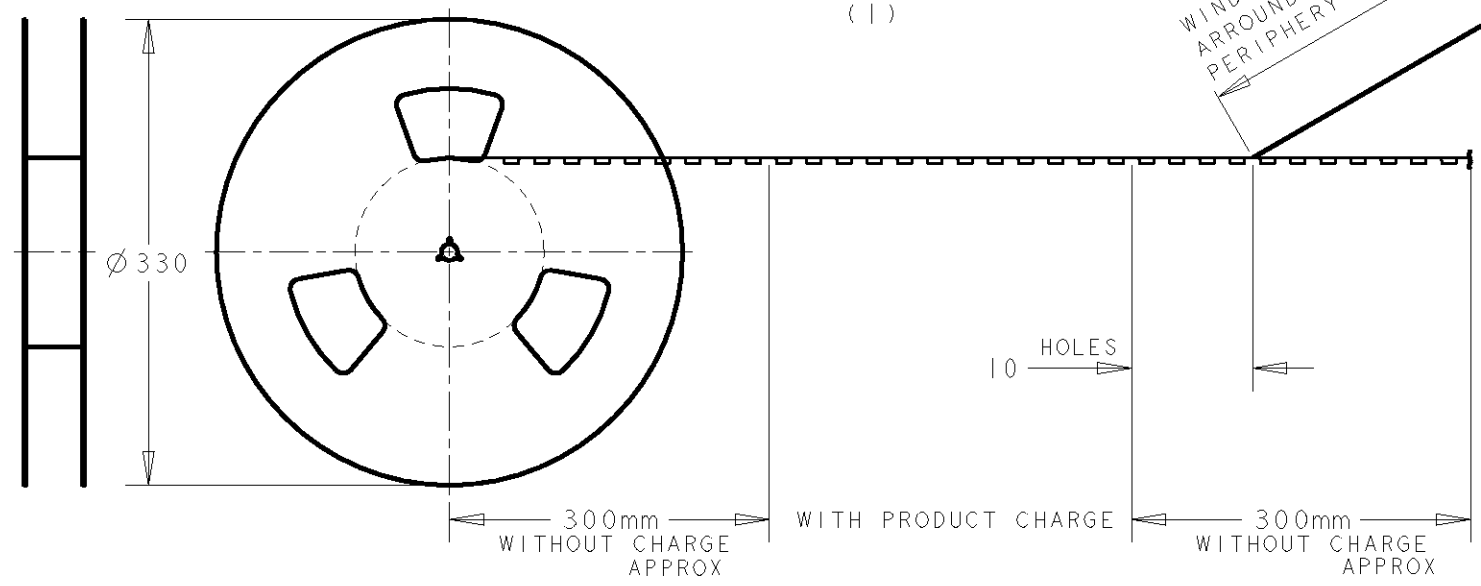
DIRECTION OFF TOP OF REEL



DETAIL B



WINDING THE COVER TAPE AROUND THE OUTER PERIPHERY IN A TURN.



REMARKS	QTY	HEIGHT TYPE	H	G	F	E	D	C	B	A	POS	CONN	P/N	PART NO.
0.00076 MIN GOLD PLATING (30u INCHES GOLD PLATING)														
0.00002 MIN GOLD PLATING (7.8u INCHES GOLD PLATING)														

THIS DRAWING IS A CONTROLLED DOCUMENT FOR AMP INCORPORATED. IT IS SUBJECT TO CHANGE AND THE CONTROLLING ENGINEERING ORGANIZATION SHOULD BE CONTACTED FOR THE LATEST REVISION.

DWN T. KUSUHARA 8FEB93  
 CHK I. ENOMOTO  
 APVD SF J FONG  
 PRODUCT SPEC 108-5390  
 APPLICATION SPEC 114-5254  
 WEIGHT -

**Tyco Electronics** TYCO ELECTRONICS SINGAPORE

NAME PLUG ASSEMBLY (0.5 BOSS LENGTH) FOR FH 0.8 B-T-B CONN. ON TAPING

SIZE A3 CAGE CODE 00779 DRAWING NO C-177986

MATERIAL - FINISH -

CUSTOMER DRAWING SCALE 2:1 SHEET 1 OF 1 REV AJ