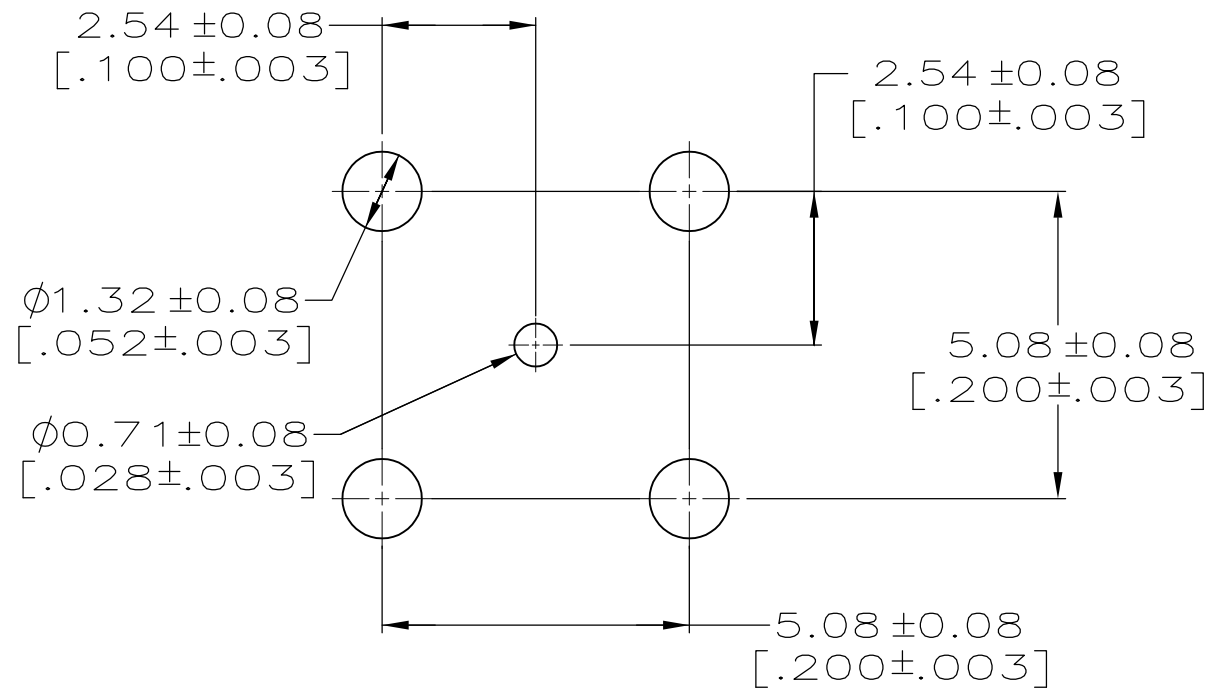
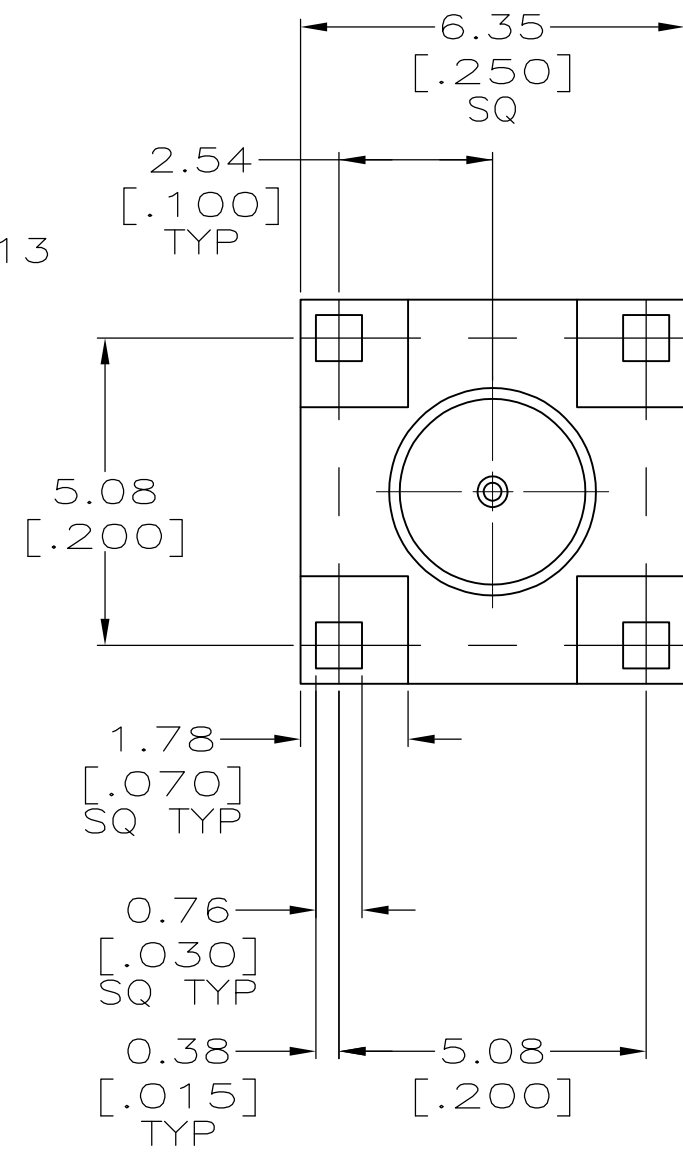
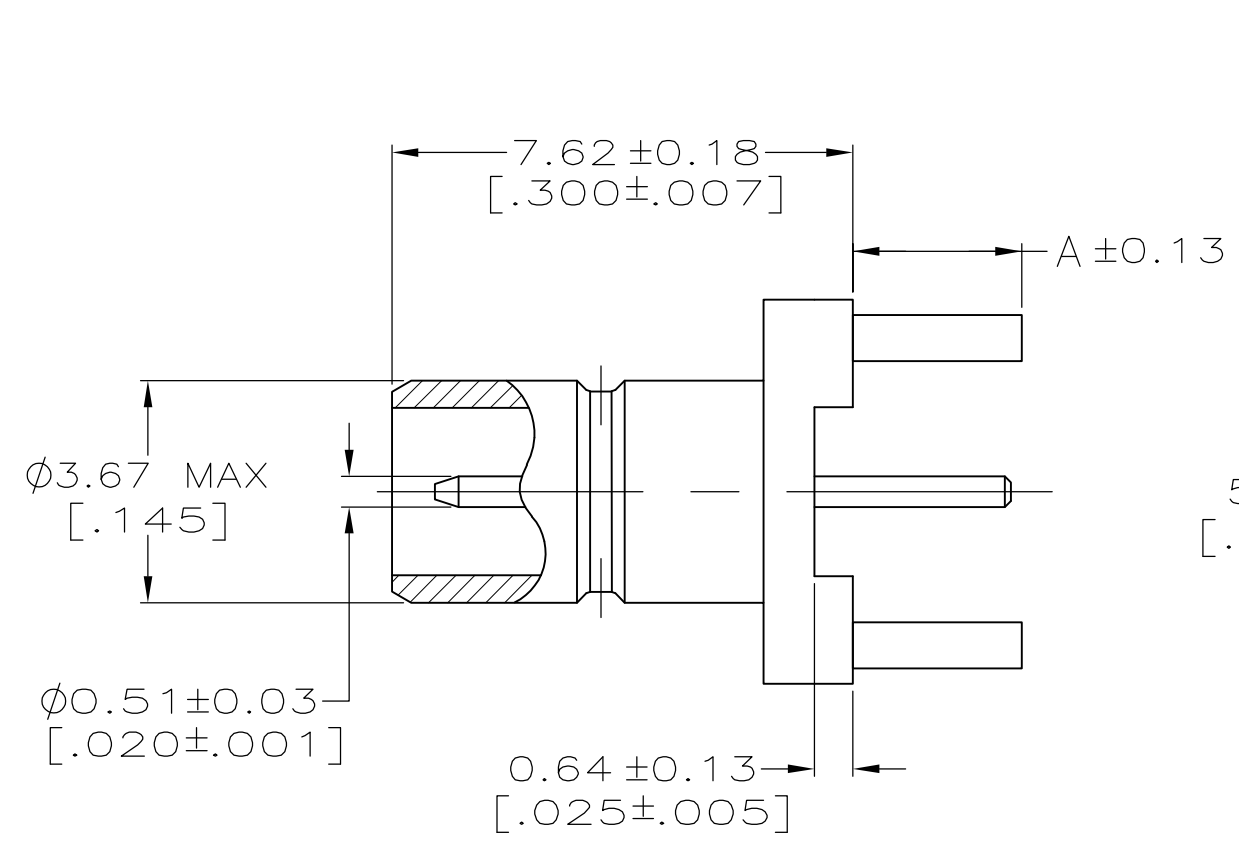


THIS DRAWING IS UNPUBLISHED. RELEASED FOR PUBLICATION
 © COPYRIGHT 2005 BY TYCO ELECTRONICS CORPORATION. ALL RIGHTS RESERVED.

LOC	DIST	REVISIONS					
AJ	16	P	LTR	DESCRIPTION	DATE	DWN	APVD
			B	REVISED PER ECO 07-017702 & 0S14-0457-04	07AUG2007	DW	JL



- ⚠️ MATERIALS:
 BODY: BRASS PER QQ-B-626.
 CONTACT: BRASS PER QQ-B-626.
 DIELECTRIC: TEFLON PER ASTM-D-1710.
- ⚠️ FINISHES:
 BODY: GOLD PER MIL-G-45204.
 CONTACT: GOLD PER MIL-G-45204.
- ⚠️ FINISHES:
 BODY: GOLD FLASH PER MIL-G-45204
 OVER NICKEL PER QQ-N-290.
 CONTACT: GOLD PER MIL-G-45204.
- ⚠️ SEE SEPERATE RESTRICTED
 CUSTOMER DRAWING WITH THIS
 PART NUMBER.

	—	—	415504-6
	3.05 [.120]	⚠️ 3	415504-4
	3.05 [.120]	⚠️ 2	415504-3
	2.11 [.083]	⚠️ 3	415504-2
OBSOLETE	2.11 [.083]	⚠️ 2	415504-1
	A	FINISH	PART NUMBER

THIS DRAWING IS A CONTROLLED DOCUMENT.		DWN B. MOYER 27JUN96	Tyco Electronics Corporation Harrisburg, PA 17105-3608	
DIMENSIONS: mm [INCHES]		CHK G. MICHAEL 28JUN96	NAME STRAIGHT JACK, PCB, 75 OHM, MINI-SMB	
TOLERANCES UNLESS OTHERWISE SPECIFIED: 0 PLC ± - 1 PLC ± - 2 PLC ± 0.05 [.002] 3 PLC ± - 4 PLC ± - ANGLES ± -		APVD G. MICHAEL 28JUN96	PRODUCT SPEC —	
MATERIAL ⚠️ 1		APPLICATION SPEC —	SIZE A3	CAGE CODE 00779
FINISH ⚠️ 2 ⚠️ 3		WEIGHT —	DRAWING NO C-415504	RESTRICTED TO —
CUSTOMER DRAWING			SCALE 8:1	SHEET 1 OF 1
			REV B	

RECOMMENDED PCB CONFIGURATION