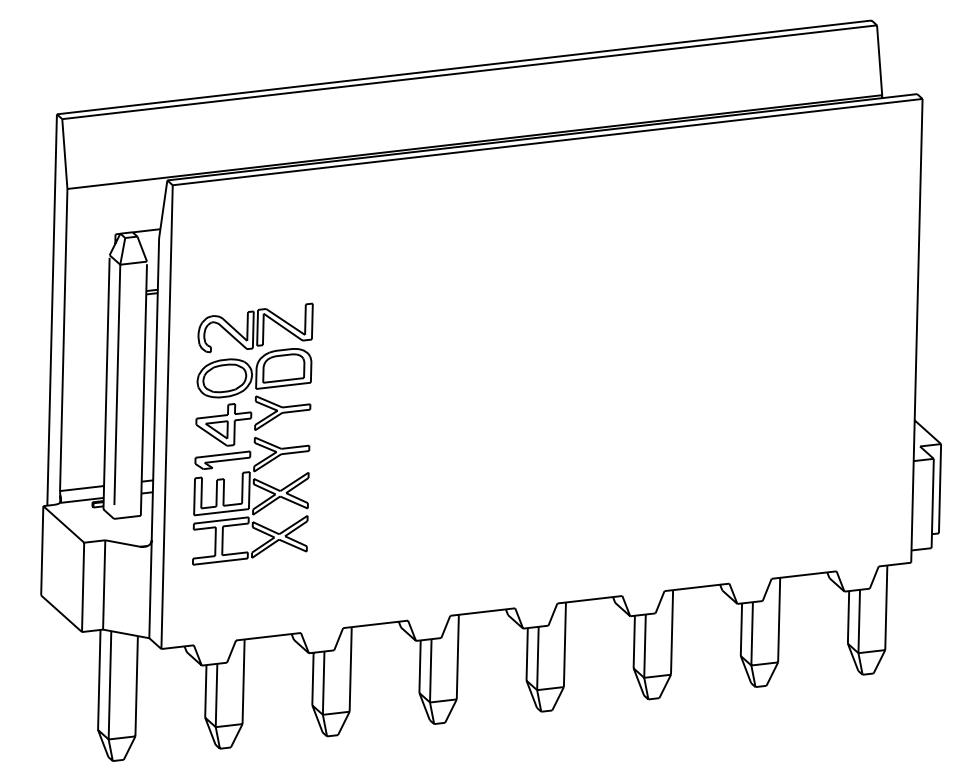
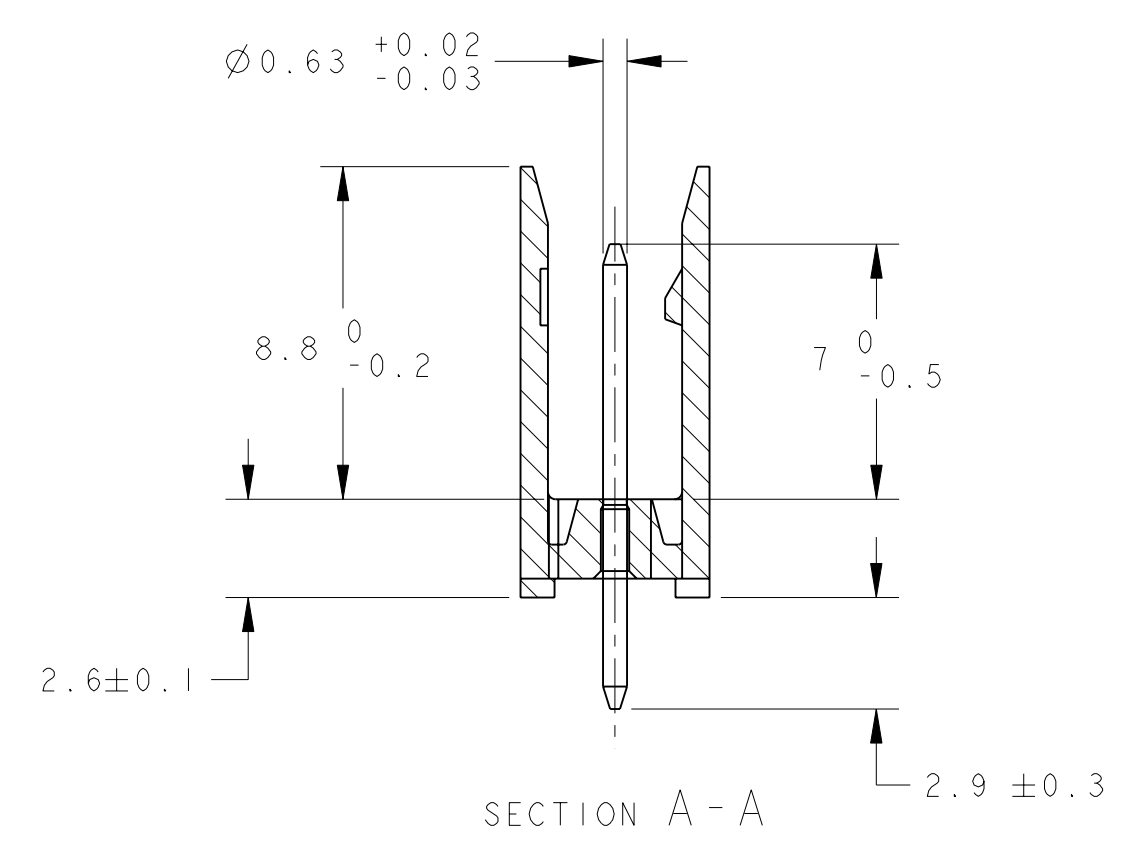
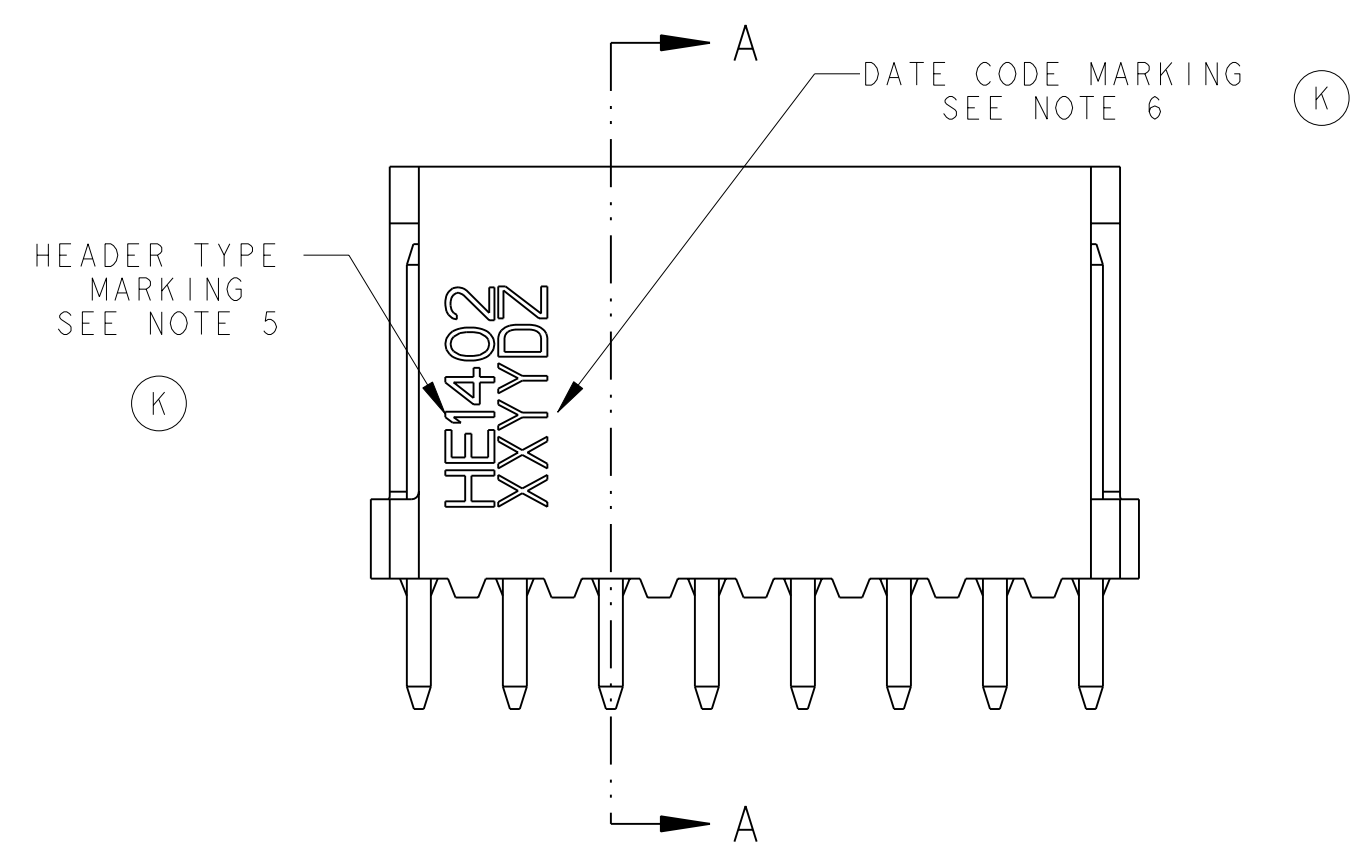


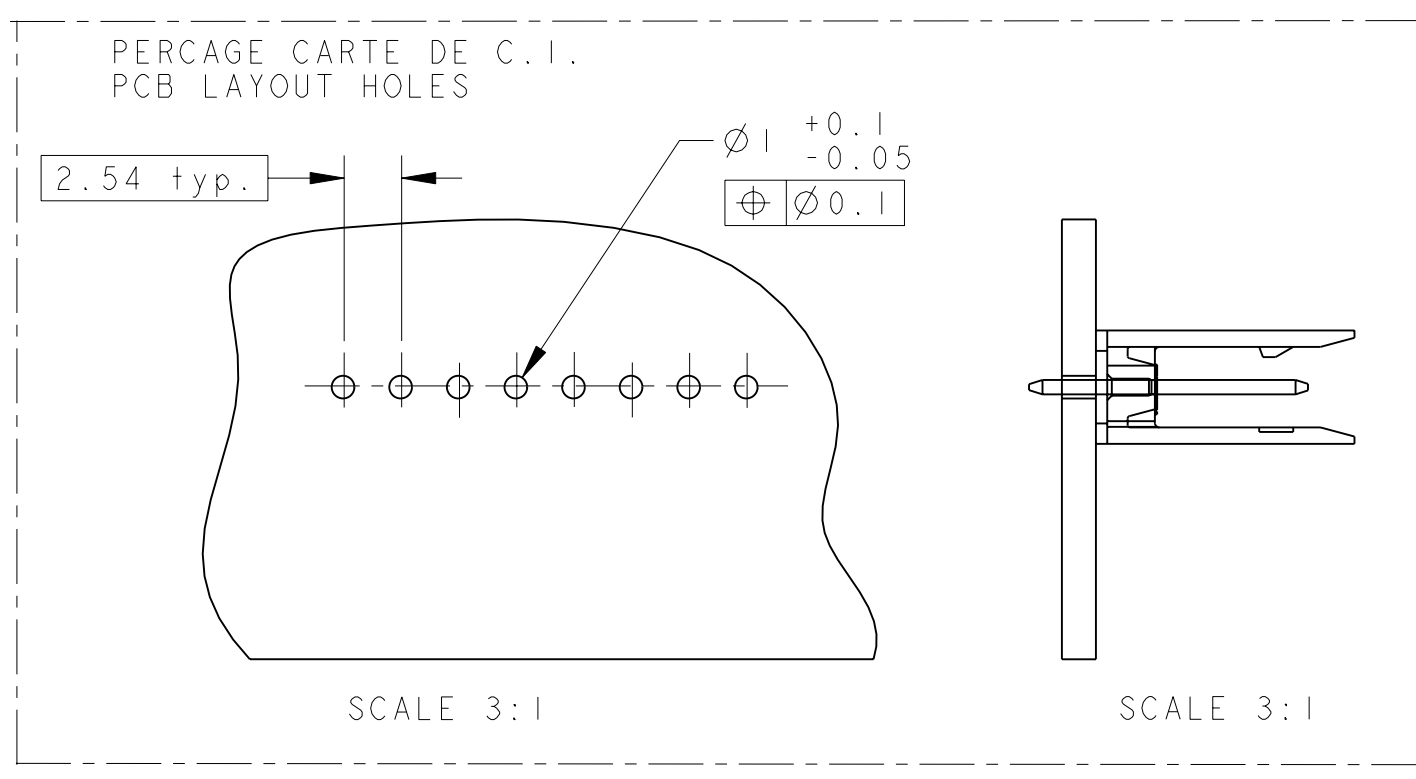
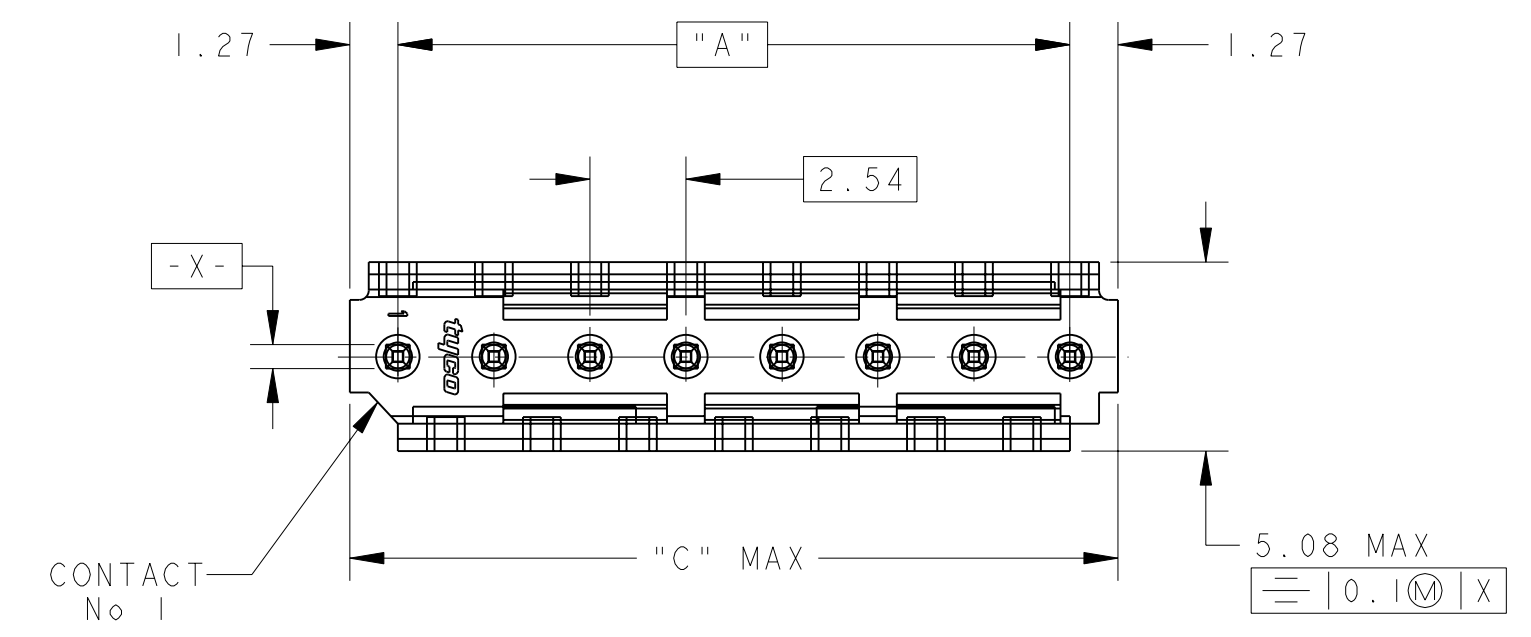
THIS DRAWING IS UNPUBLISHED. / RELEASED FOR PUBLICATION  
 DIFFUSION RESTREINTE / LIBRE A LA DIFFUSION

© COPYRIGHT 20 / BY TYCO ELECTRONICS CORPORATION. ALL RIGHTS RESERVED.  
 TOUS DROITS RESERVES

| LOC | DIST | REVISIONS                 |           |           |           |
|-----|------|---------------------------|-----------|-----------|-----------|
| P   | LTR  | DESCRIPTION MODIFICATIONS | DATE      | DWN DESS. | APVD APP. |
| H   |      | CLARIFIE NOTE 3           | 12MAR2004 | J.D       | Y.P       |
| J   |      | MATERIAL                  | 09MAY2006 | J.D       | Y.P       |
| K   |      | NOTES 5, 6 ADDED          | 30SEP2008 | GM        | PEG       |

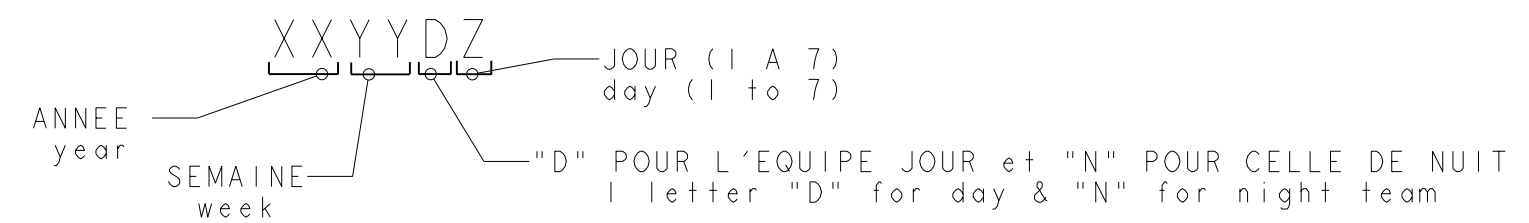


SCALE 6:1



- NOTES:
- CES EMBASES SONT PREVUES POUR ETRE ACCOUPLEES AVEC LES FICHES "HE1402" SIMPLE RANGEE.  
(These headers are designed to be mated with "HE1402" connectors single row)
  - LES REFERENCES SUIVIES D'UN \* SONT LES VERSIONS NORMALISEES SELON LA NORME CEI 603-8  
(The parts numbers followed by \* are covered by the international standard IEC 603-8)
  - RETEVEMENT DES CONTACTS: ETAIN PUR SUR NICKEL  
(Contacts plating: lead free tin over nickel)
  - MATIERE PLASTIQUE: TERMO-PLASTIQUE HAUTE TEMPERATURE, UL-94V0, COULEUR BLEUE  
(Plastic material: High temperature thermoplastic, UL-94V0, Blue color)  
MATIERE DES CONTACTS: BRONZE PHOSPHOREUX  
(Contacts material: phosphor bronze)
  - MARQUAGE DU TYPE D'EMBASE (HE1402) A L'ENCRE NOIRE  
(header type marking (HE1402) with black ink)
  - MARQUAGE DE LA DATE A L'ENCRE NOIRE :  
(date code marking with black ink)

|            |       |           |              |
|------------|-------|-----------|--------------|
| 45.72      | 43.18 | 18        | 1-281695-8 * |
| 43.18      | 40.64 | 17        | 1-281695-7   |
| 38.10      | 35.56 | 15        | 1-281695-5 * |
| 30.48      | 27.94 | 12        | 1-281695-2 * |
| 25.40      | 22.86 | 10        | 1-281695-0 * |
| 20.32      | 17.78 | 8         | 0-281695-8 * |
| 17.78      | 15.24 | 7         | 0-281695-7   |
| 15.24      | 12.70 | 6         | 0-281695-6 * |
| 12.70      | 10.16 | 5         | 0-281695-5 * |
| 10.16      | 7.62  | 4         | 0-281695-4 * |
| 7.62       | 5.08  | 3         | 0-281695-3 * |
| 5.08       | 2.54  | 2         | 0-281695-2   |
| C          | A     | Nb DE POS | PART NUMBER  |
| DIMENSIONS |       |           |              |



|  |  |   |   |
|--|--|---|---|
| THIS DRAWING IS A CONTROLLED DOCUMENT FOR TYCO ELECTRONICS CORPORATION IT IS SUBJECT TO CHANGE AND THE CONTROLLING ENGINEERING ORGANIZATION SHOULD BE CONTACTED FOR THE LATEST REVISION.<br>CE PLAN EST UN DOCUMENT CONTROLE PAR AMP INCORPORATED. IL EST SUSCEPTIBLE D'ETRE REVISE. CONTACTER LE SERVICE TECHNIQUE D'AMP DE FRANCE POUR OBTENIR LA DERNIERE REVISION. |  | DWN/DESSINE 22NOV2000<br>C. COMBEDOUZON                                       | AMP DE FRANCE<br>95301 PONTOISE                       |
| DIMENSIONS: mm   | TOLERANCES UNLESS OTHERWISE SPECIFIED: (SUIV NB DE DECIMALES)<br>0 PLC/DEC: ±<br>1 PLC/DEC: ±0.3<br>2 PLC/DEC: ±0.13<br>3 PLC/DEC: ±0.013<br>4 PLC/DEC: ±0.001<br>ANGLES ±5° | CHK/VERIFIE 22NOV2000<br>T. CORRIOLU<br>APVD/APROUVE 22NOV2000<br>Y. PETRONIN | NAME / TITRE<br>HEADERS HE14,<br>SINGLE ROW, STRAIGHT |
| MATERIAL/MATIERE<br>SEE/VOIR NOTE 4  | FINISH/FINITION<br>SEE/VOIR NOTE 3   | PRODUCT SPEC<br>108-15053<br>APPLICATION SPEC                                 | SIZE FORMAT<br>A2                                     |
|  |  | WEIGHT MASSE APPROX. -  | CAGE CODE<br>00779                                    |
|  |  | CUSTOMER DRAWING /PLAN CLIENT   | DRAWING NO<br>281695                                  |
|  |  | UNIQUEMENT POUR REFERENCE   | RESTRICTED TO RESERVE A                               |
|  |  | SCALE ECHELLE 5:1   | SHEET FEUILLE 1 OF DE 1                               |
|  |  |   | REV K   |