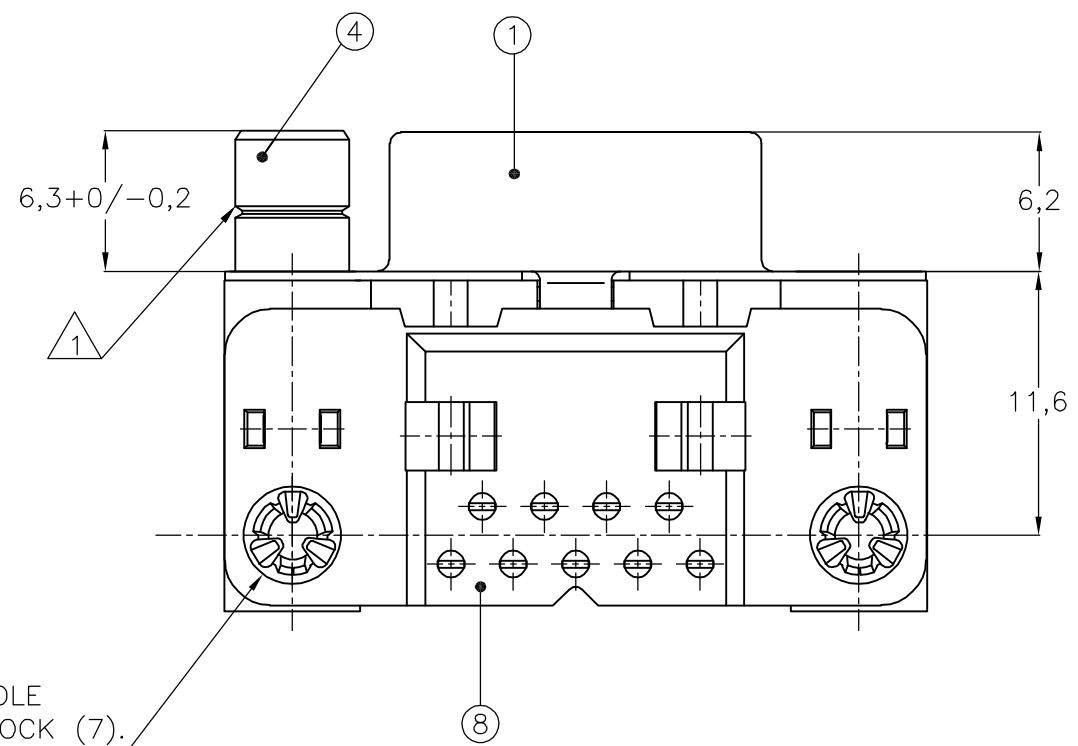
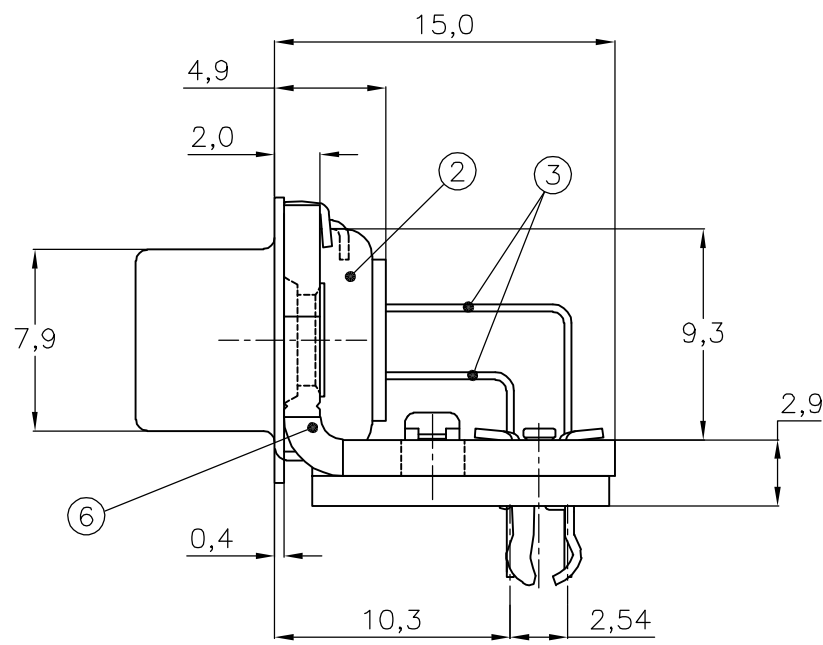
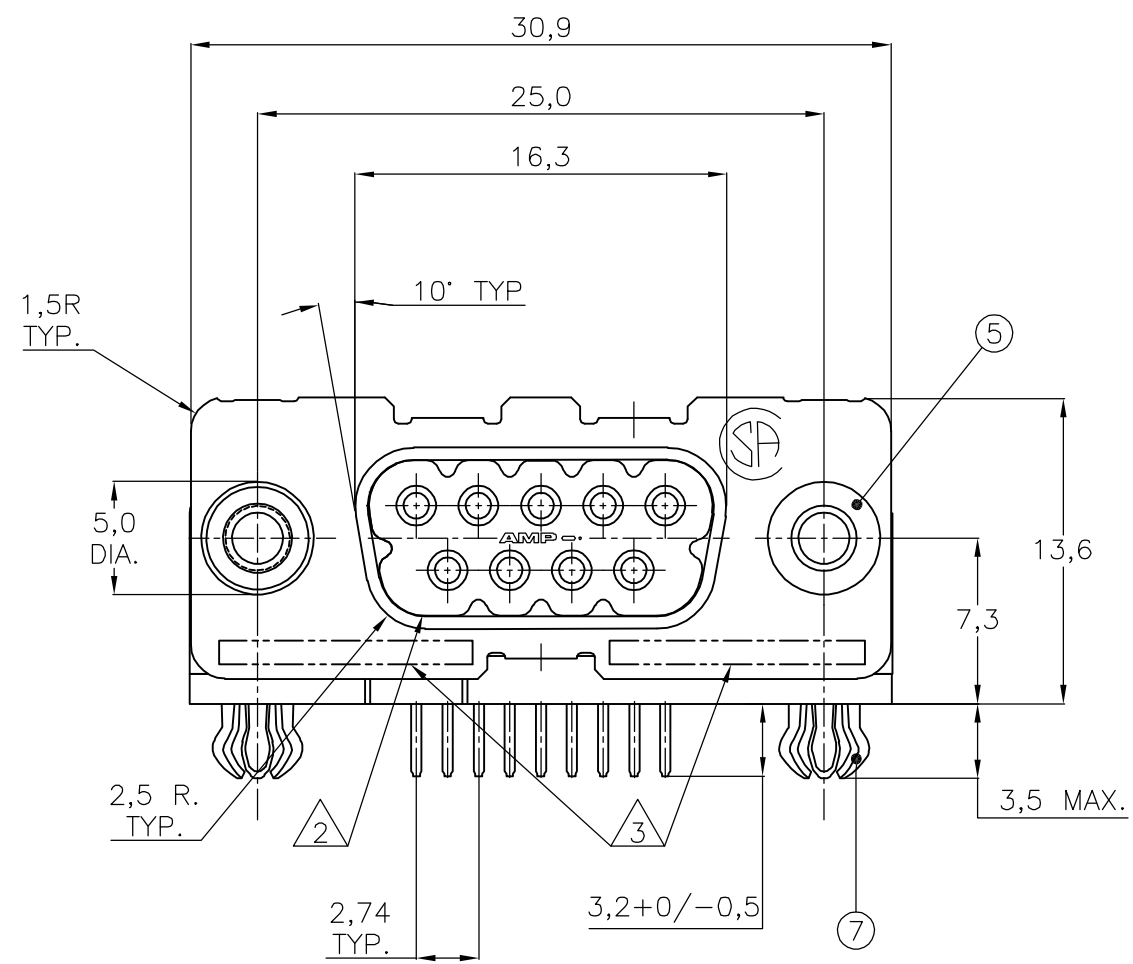


THIS DRAWING IS UNPUBLISHED. RELEASED FOR PUBLICATION
 © COPYRIGHT BY TYCO ELECTRONICS CORPORATION. ALL RIGHTS RESERVED.

LOC	DIST	REVISIONS					
		P	LTR	DESCRIPTION	DATE	DWN	APVD
-	-	G		EH-0033-99	14-01-99	D.K.	-
		H		EHC0-0061-04	07-04-04	JvdH	-
		J		ECR-06-028929.	19-03-07	BSV	MK



ACCESSORIES PREFIX "Z"	DESCRIPTION	2	2	2	2	2	2	2	2
5	BUSHING WITH THROUGH HOLE 3,1 DIA.								
5	BUSHING WITH INNER THREAD 4-40 UNC								
5	BUSHING WITH INNER THREAD M3								
4	FEMALE SCREWLOCK WITH 4-40 UNC								
4	FEMALE SCREWLOCK WITH M3								
7	BOARDLOCK								

ITEM NO.	DESCRIPTION OF ACCESSORY	0-XXXXX-Y	1-XXXXX-Y	2-XXXXX-Y	3-XXXXX-Y	4-XXXXX-Y	5-XXXXX-Y	6-XXXXX-Y	7-XXXXX-Y	8-XXXXX-Y	9-XXXXX-Y
	9 POS.-----> Z-106505-Y										
	PREFIX FOR ACCESSORIES										
	BASIC PARTNR.										
	SUFFIX FOR PLATING										

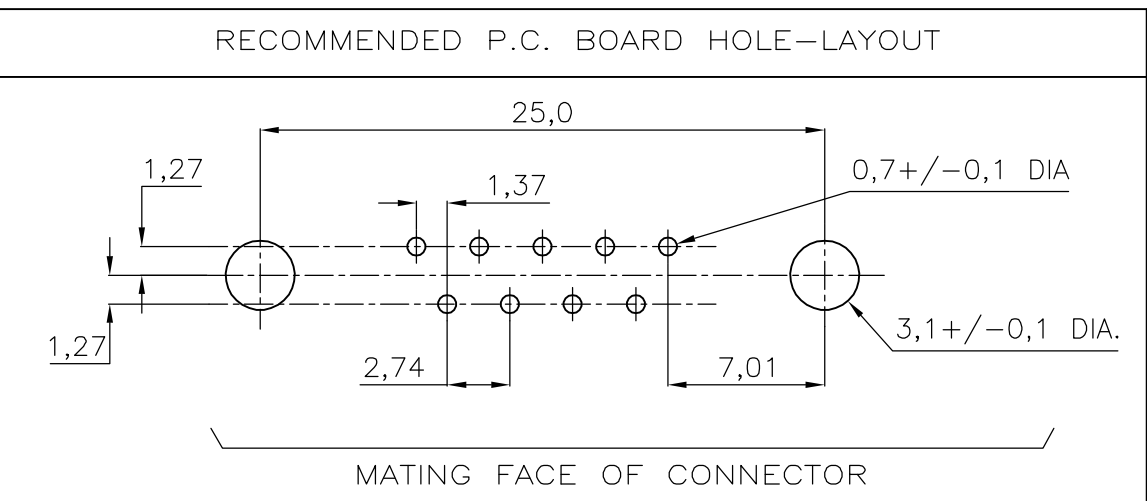
PLATING SUFFIX "Y"	DESCRIPTION
	GOLD OVER NICKEL AS PER PERFORMANCE LEVEL 2 (DIN 41652)
	SOLDERPART :2,5 μm TIN OVER NICKEL
	-Y = -2

NOTES :

- 1 GROOVE INDICATES VERSION WITH 4-40 UNC INNER THREAD; WITHOUT GROOVE INDICATES VERSION WITH M3 INNER THREAD.
- 2 CAVITY IDENTIFICATION AT FRONT SIDE ONLY.
- 3 PARTNUMBER AND DATE CODE.
- 4. AIR AND CREEPAGE DISTANCES ACCORDING TO DIN 41652.

ITEM NRS./MATERIAL :

1 SHELL	: BRIGHT TINPLATED STEEL
2 HOUSING	: GLASSFILLED POLYESTER, COLOR : BLACK
3 CONTACTS	: PHOSPHORBRONZE (PLATING : SEE TABLE ABOVE)
4 FEMALE SCREWLOCK	: TINPLATED STEEL (INNER THREAD 4-40 UNC OR M3)
5 BUSHING	: TINPLATED STEEL (INNER THREAD 4-40 UNC OR M3 OR 3,1 DIA THRU-HOLE)
6 BRACKET	: TINPLATED STEEL
7 BOARDLOCK	: TINPLATED PHOSPHORBRONZE
8 POST ALIGNMENTPLATE	: GLASSFILLED NYLON COLOR : BLACK



THIS DRAWING IS A CONTROLLED DOCUMENT.		DWN D. KESSLER 14JAN99	tyco Electronics Tyco Electronics Corporation s-HertogenBosch, Nederland,	
DIMENSIONS: MM		CHK W. SOOMERS	NAME	
TOLERANCES UNLESS OTHERWISE SPECIFIED:		APVD	PRODUCT SPEC	
0 PLC ± -			APPLICATION SPEC	
1 PLC ± -			WEIGHT	
2 PLC ± -			CUSTOMER DRAWING	
3 PLC ± -			SCALE NTS SHEET 1 OF 1 REV J	
4 PLC ± -				
ANGLES ± -				
FINISH				