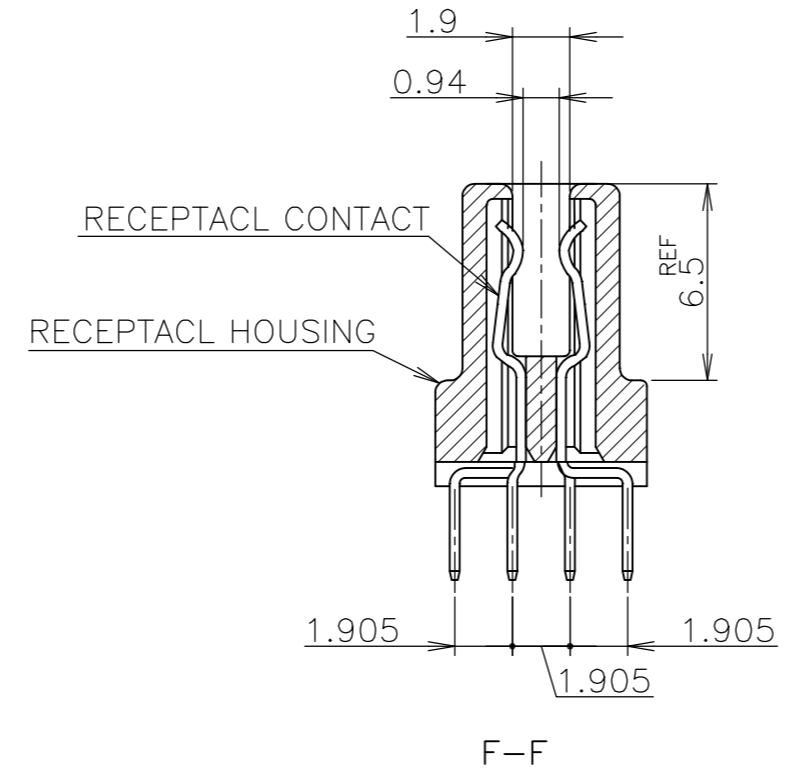
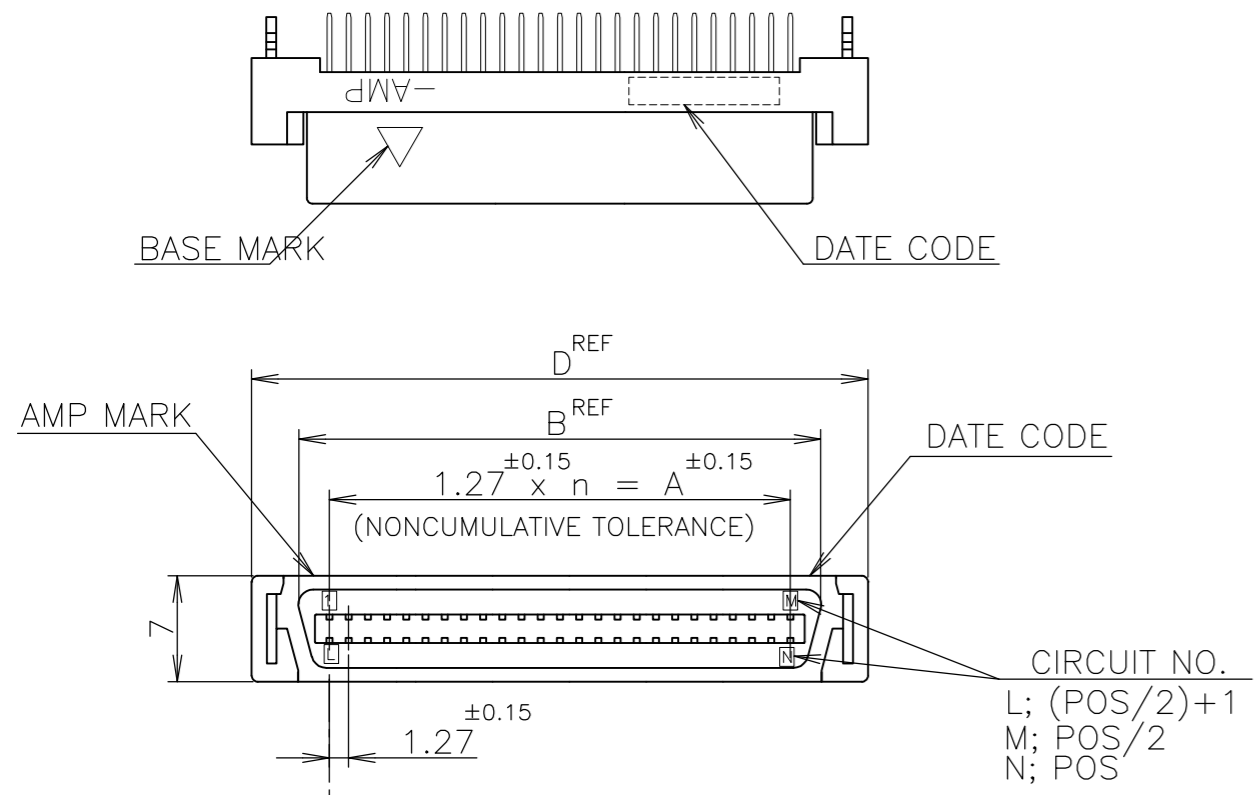
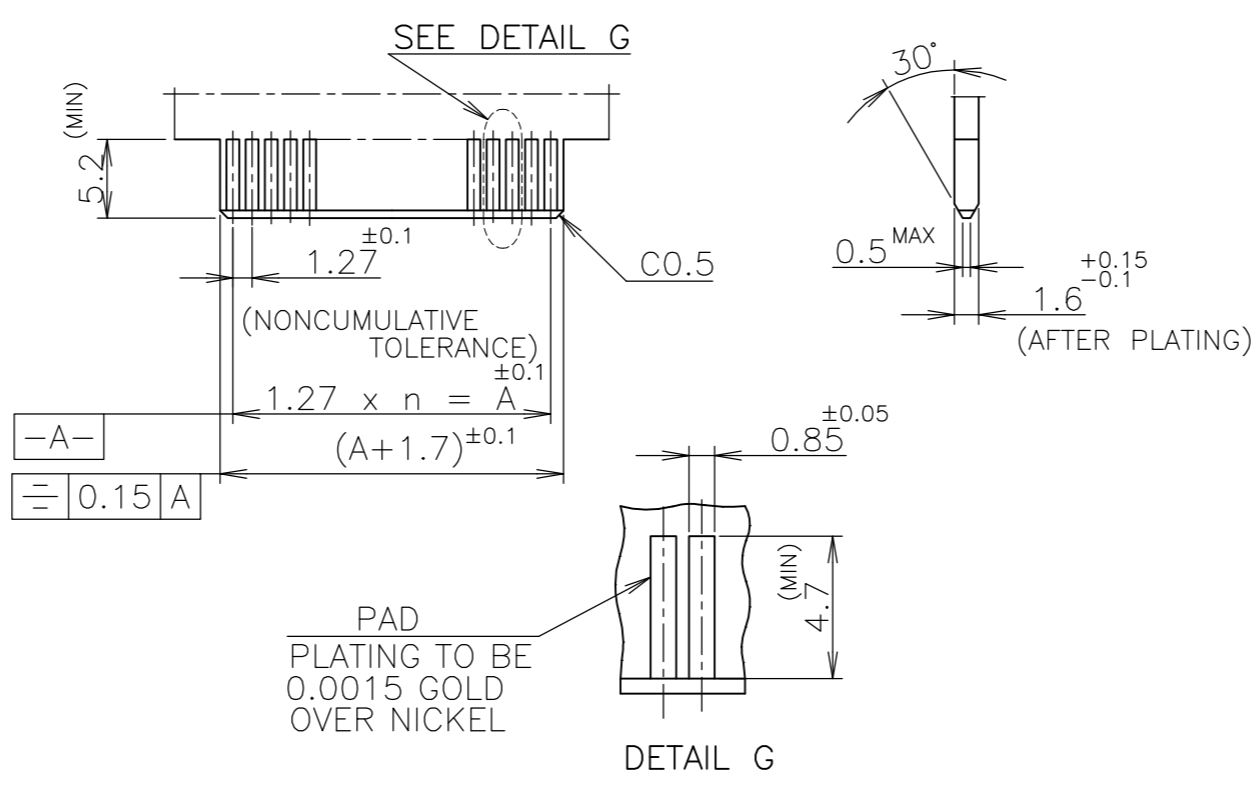
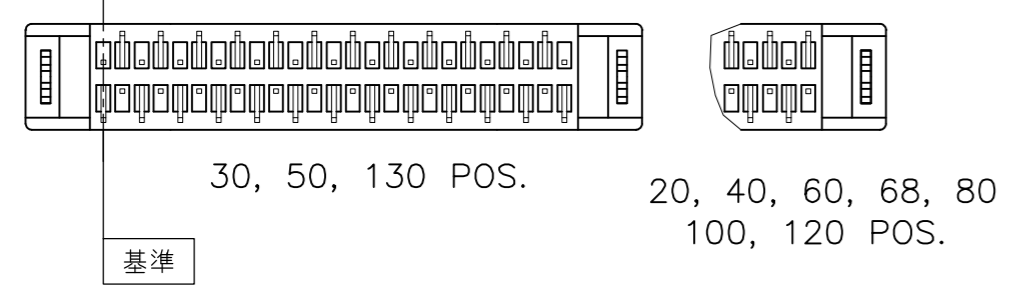
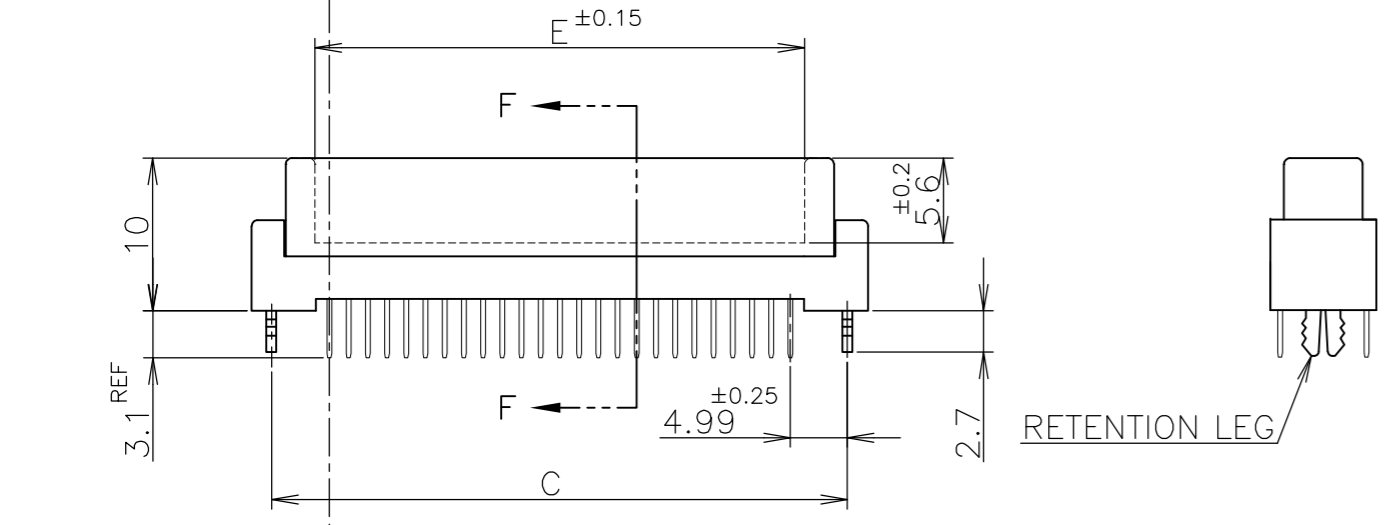


LOC		DIST		REVISIONS				
ES	00	P	LTR	DESCRIPTION	DATE	DWN	APVD	
		A		REVISED ECR-08-014638	10JUN08	AZ	SY	



- 1 NUMBER "n" IS COUNTED FROM DATUM (CIRCUIT NO.1 IS "AMP" MARK SIDE.)
- △ MATERIAL: HOUSING, 66 NYLON (GF) UL 94V-0, BLACK.
: CONTACT, PHOSPHOR BRONZE.
: RETENTION LEG; BRASS.
- △ FINISH: CONTACT; Au AT CONTACT AREA (SEE TABLE),
TIN AT TINE, OVER Ni.
RETENTION LEG; TIN UNDER Ni.
- △ P.C. BOARD THK MUST BE 1.6 ± 0.15 FOR CARD EDGE CONNECTOR



RECOMMENDED P.C. BOARD DIMENSIONS. △

6-	-2		130	64	81.28	86.82	91.25	93.90	83.18
6-	-1		120	59	74.93	80.47	84.90	87.55	76.83
6-	-0		100	49	62.23	67.77	72.20	74.85	64.13
5-	-9		80	39	49.53	55.07	59.50	62.15	51.43
5-	-8		68	33	41.91	47.45	51.88	54.53	43.81
5-	-7		60	29	36.83	42.37	46.80	49.45	38.73
5-	-6		50	24	30.48	36.02	40.45	43.10	32.38
5-	-5		40	19	24.13	29.67	34.10	36.75	26.03
5-	-3		30	14	17.78	23.32	27.75	30.40	19.68
5-	-1	0.00076	20	9	11.43	16.97	21.40	24.05	13.33
4-	-2		130	64	81.28	86.82	91.25	93.90	83.18
4-	-1		120	59	74.93	80.47	84.90	87.55	76.83
4-	-0		100	49	62.23	67.77	72.20	74.85	64.13
3-	-9		80	39	49.53	55.07	59.50	62.15	51.43
3-	-8		68	33	41.91	47.45	51.88	54.53	43.81
3-	-7		60	29	36.83	42.37	46.80	49.45	38.73
3-	-6		50	24	30.48	36.02	40.45	43.10	32.38
3-	-5		40	19	24.13	29.67	34.10	36.75	26.03
3-	-3		30	14	17.78	23.32	27.75	30.40	19.68
3-	-1	0.0005	20	9	11.43	16.97	21.40	24.05	13.33
1-	-2		130	64	81.28	86.82	91.25	93.90	83.18
1-	-1		120	59	74.93	80.47	84.90	87.55	76.83
1-	-0		100	49	62.23	67.77	72.20	74.85	64.13
	-9		80	39	49.53	55.07	59.50	62.15	51.43
	-8		68	33	41.91	47.45	51.88	54.53	43.81
	-7		60	29	36.83	42.37	46.80	49.45	38.73
	-6		50	24	30.48	36.02	40.45	43.10	32.38
	-5		40	19	24.13	29.67	34.10	36.75	26.03
	-3		30	14	17.78	23.32	27.75	30.40	19.68
5175475-1		0.0002	20	9	11.43	16.97	21.40	24.05	13.33
PART NO.	Au PLATE	POS.	n	A	B	C	D	E	

LEAD FREE

GENERAL TOLERANCE
 10 ≥ : ±0.2
 30 ≥ > 10: ±0.25
 100 ≥ > 30: ±0.3
 ANGLES: ±3°

THIS DRAWING IS A CONTROLLED DOCUMENT.

DWN: Julyee Zhu 20AUG2004
 CHK: Steven Yao 20AUG2004
 APVD: Ikuo Enomoto 20AUG2004

Tyco Electronics AMP K.K. Kawasaki, Japan

AMP CHAMP .050 CONNECTOR (B-T-B) RECEPTACLE CONNECTOR (VERTICAL WITH RETENTION LEG)

108-60038

SIZE: A2 CAGE CODE: 00779 DRAWING NO: C=5175475

SCALE: NTS SHEET: 1 OF 1 REV: A