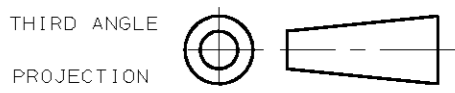


NUMBER OF POS.	PART NUMBER	PACK	"L" MAX.	"M"
1	0-161390-1	2000	5,08	-
2	0-161390-2	1000	7,62	2,54
3	0-161390-3	1000	10,16	5,08
4	0-161390-4	1000	12,70	7,62
5	0-161390-5	500	15,24	10,16
6	0-161390-6	500	17,78	12,70
7	0-161390-7	500	20,32	15,24
8	0-161390-8	500	22,86	17,78
9	0-161390-9	250	25,40	20,32
10	1-161390-0	250	27,94	22,86
11	1-161390-1	250	30,48	25,40
12	1-161390-2	250	33,02	27,94
13	1-161390-3	150	35,56	30,48
14	1-161390-4	150	38,10	33,02
15	1-161390-5	150	40,64	35,56
16	1-161390-6	100	43,18	38,10
17	1-161390-7	100	45,72	40,64
18	1-161390-8	100	48,26	43,18
19	1-161390-9	100	50,80	45,72
20	2-161390-0	100	53,34	48,26
21	2-161390-1	100	55,88	50,80
22	2-161390-2	100	58,42	53,34
23	2-161390-3	100	60,96	55,88
24	2-161390-4	100	63,50	58,42
25	2-161390-5	100	66,04	60,96
26	2-161390-6	50	68,58	63,50
27	2-161390-7	50	71,12	66,04
28	2-161390-8	50	73,66	68,58
29	2-161390-9	50	76,20	71,12
30	3-161390-0	50	78,84	73,66

DO NOT SCALE
DIMENSIONS IN mm

METRIC



AMP PRODUCT SPEC.: 108-19036.

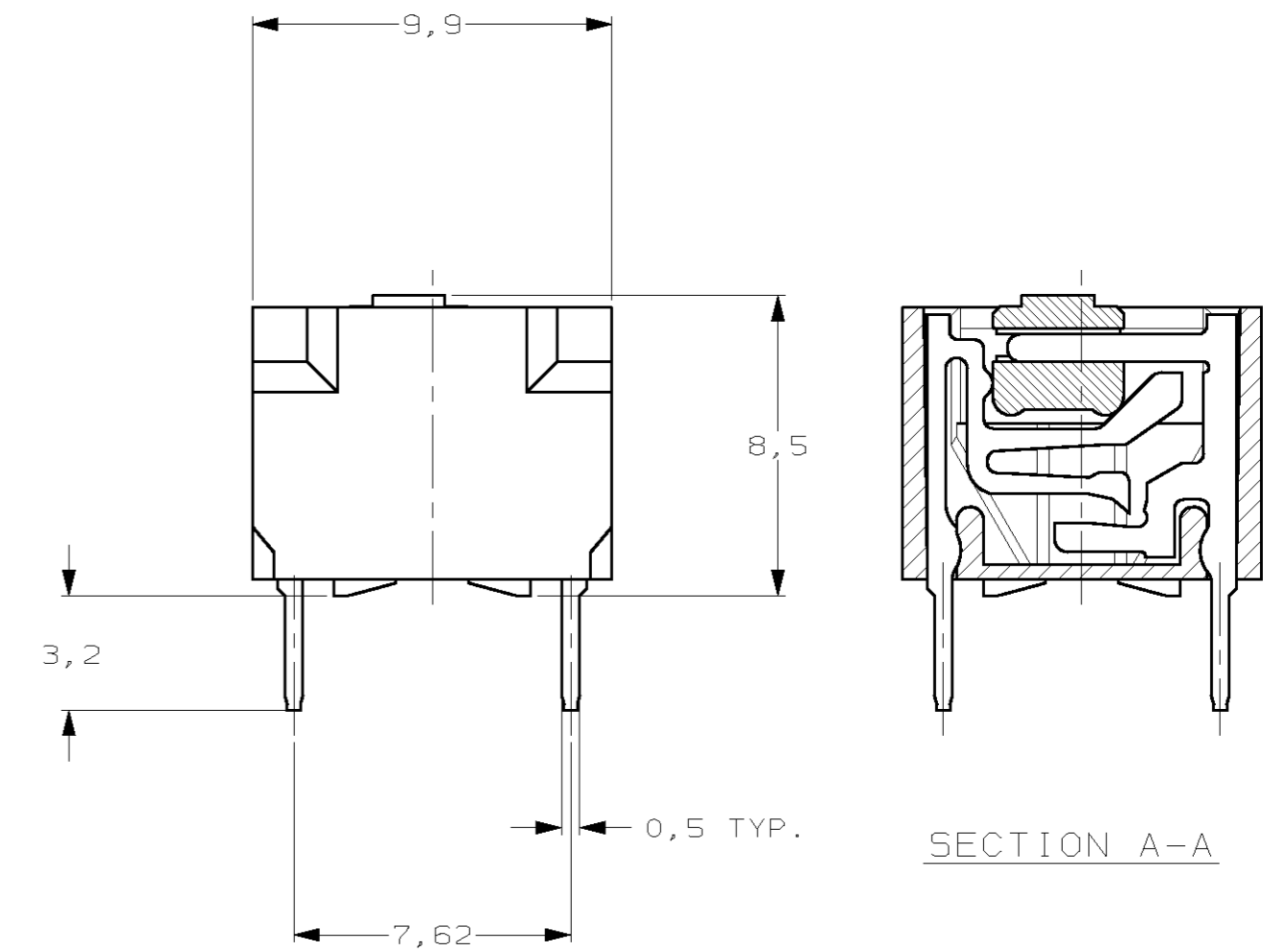
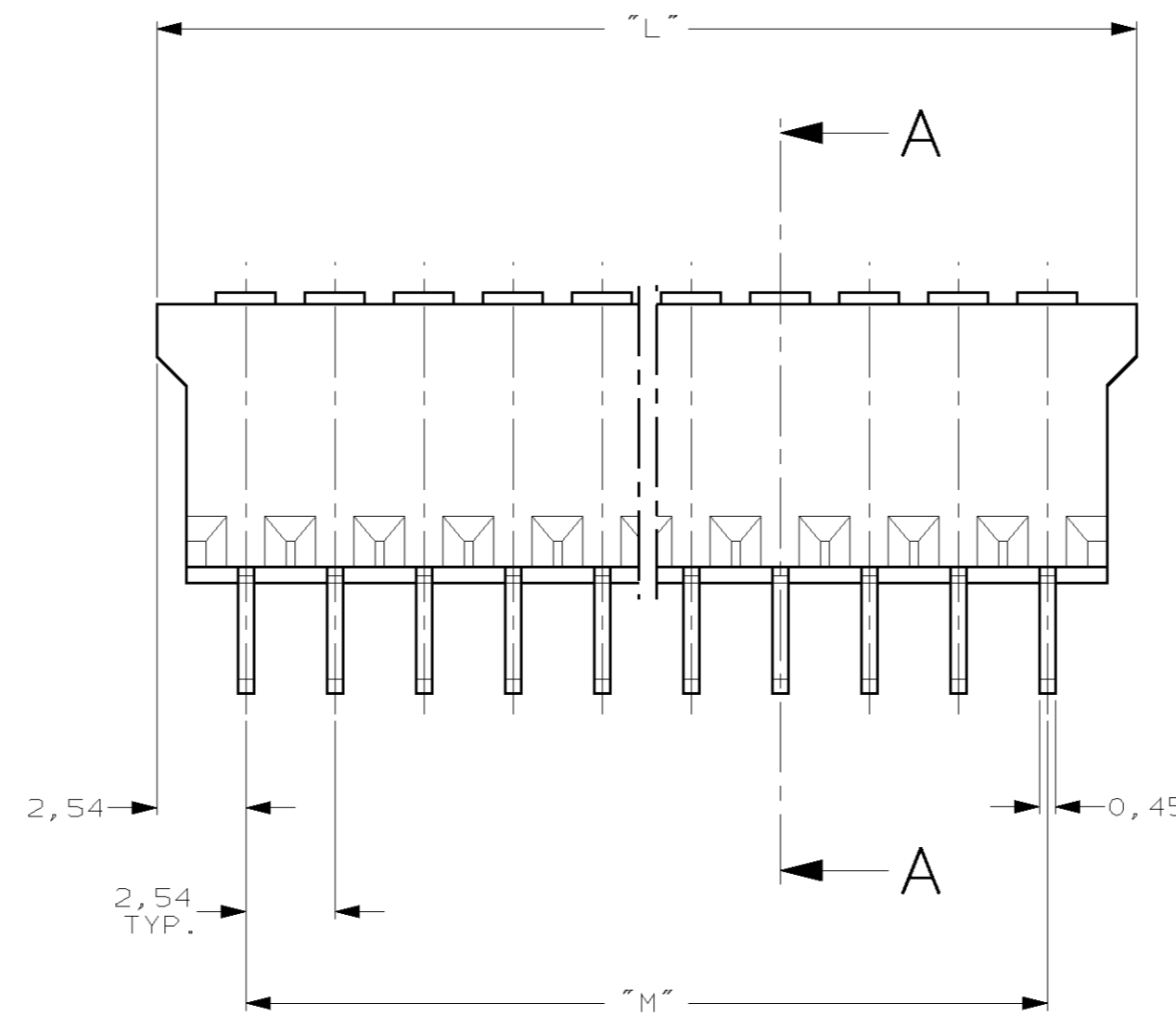
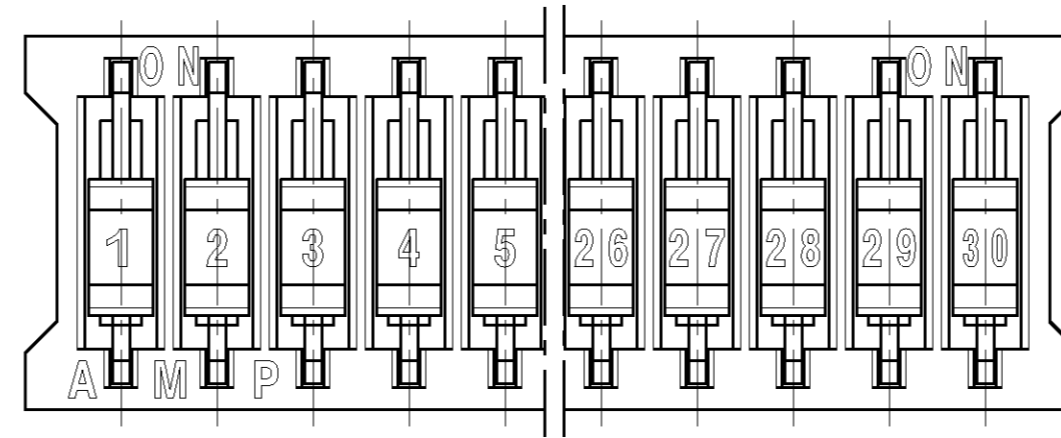
MATERIAL:

HOUSING: 20% G.F. POLYESTER, COLOUR: GREY.

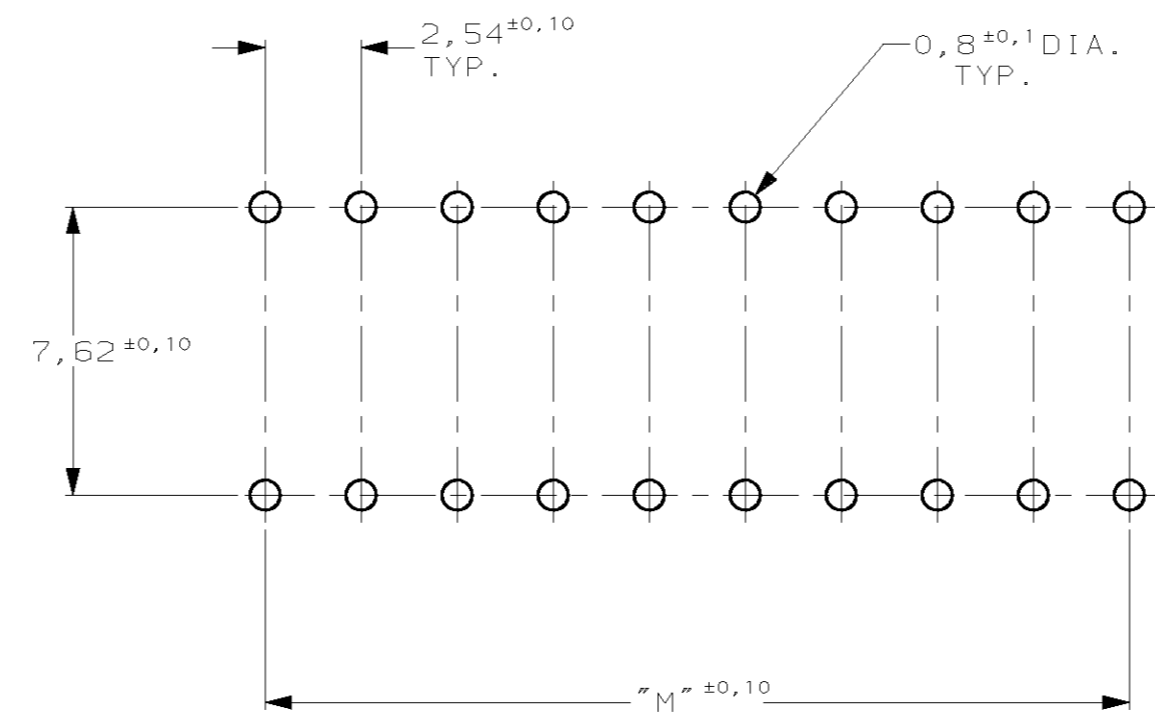
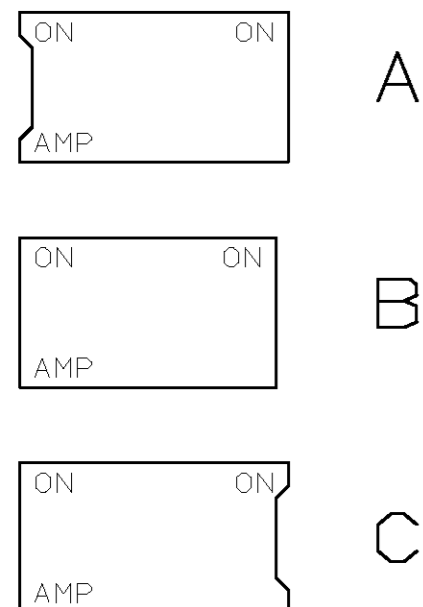
ACTUATOR: 20% G.F. POLYESTER, COLOUR: RED.

CONTACTS: PHOSPHOR-BRONZE.

PLATING: MIN. 2,5 µm TIN.



SWITCH HOUSINGS MAY HAVE PROFILE A, B OR C.



RECOMMENDED P.C. BOARD HOLE PATTERN.

P.C. BOARD THICKNESS: 1,6mm.

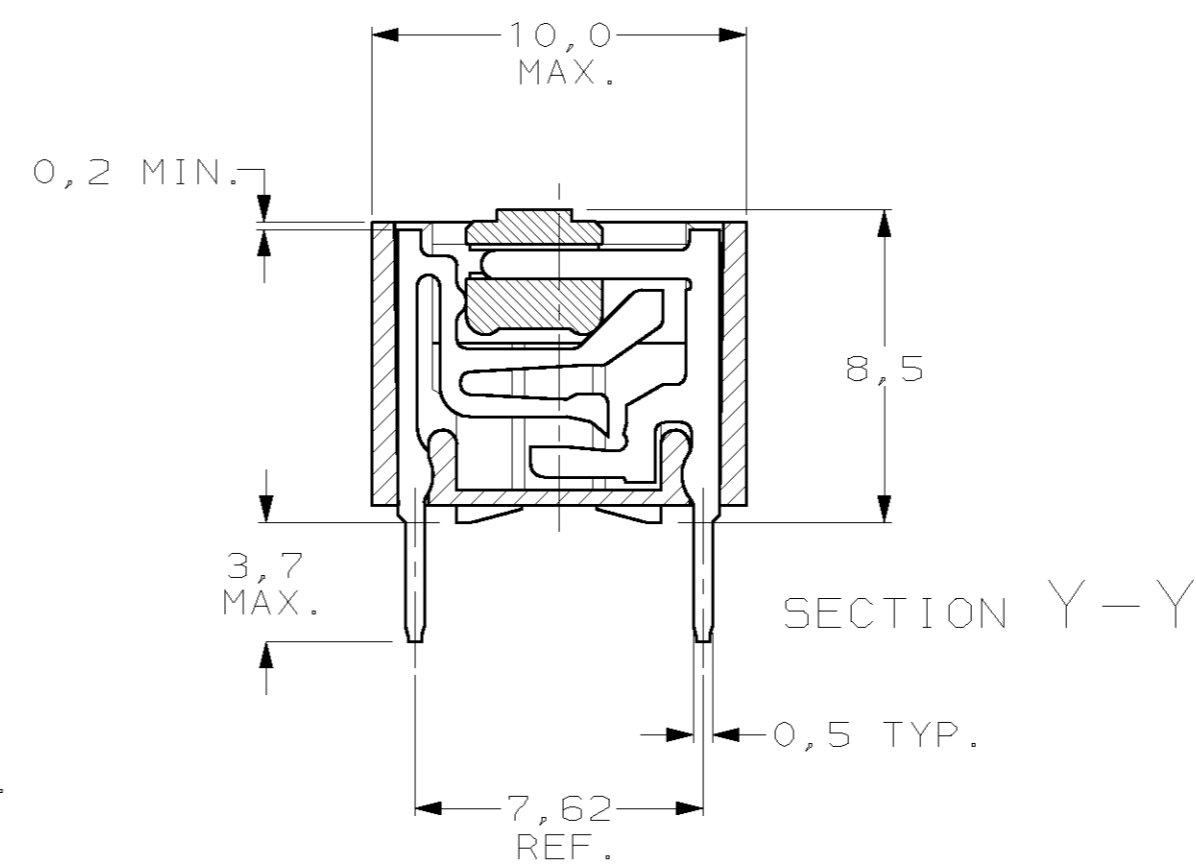
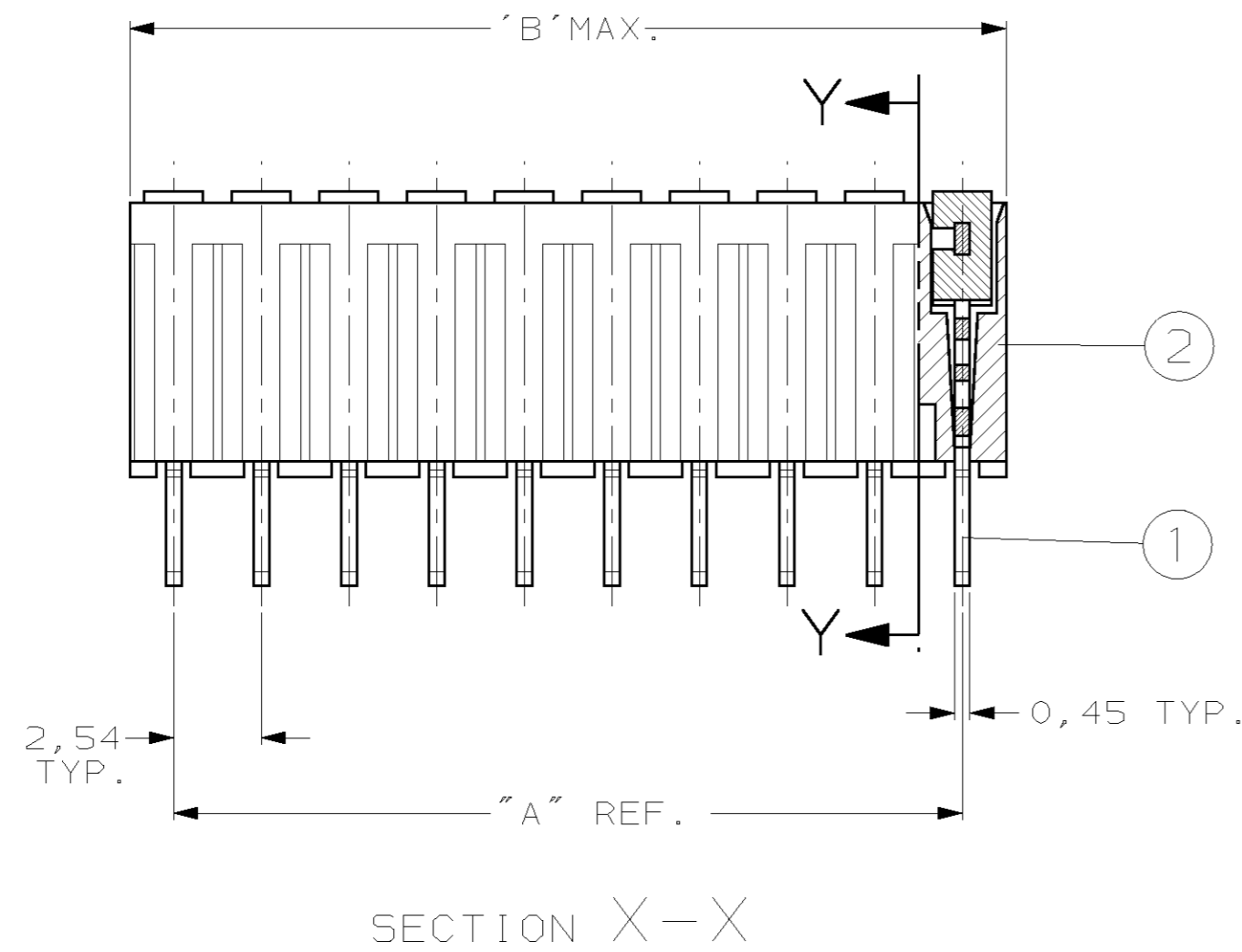
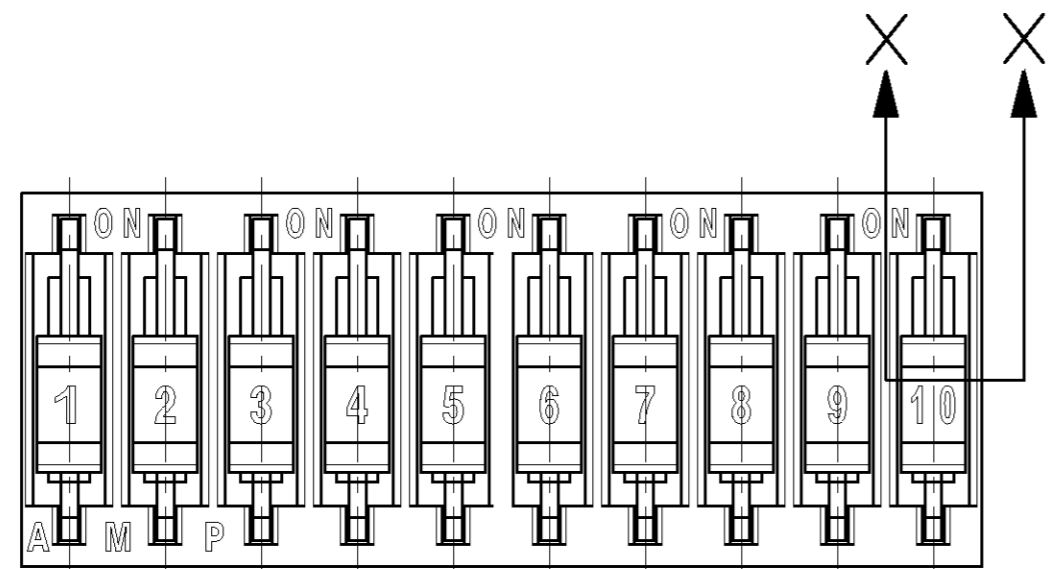
		FINISH		MATERIAL		PARTNUMBER	
-	-	-	-	-	-	CUSTOMER DRAWING FOR REFERENCE ONLY WILL NOT BE UPDATED	
-	-	-	-	-	-	© COPYRIGHT 19- BY AMP HOLLAND B.V. ALL INTERNATIONAL RIGHTS RESERVED. AMP PRODUCTS MAY BE COVERED BY U.S. AND FOREIGN AND/OR PATENTS PENDING.	
-	-	-	-	-	-	THIS DRAWING IS UNPUBLISHED RELEASED FOR PUBLICATION	
S	EH10-0038-04	JvdH	M.G.	30 JUL 04		AMP HOLLAND B.V. 's-Hertogenbosch, The Netherlands.	
R	EH00-1808-99	RvH	M.G.	27 APR 01		NAME	
P	EH-0750-96	D.K.	M.G.	20 JUN 96		DIP SWITCH SOLDER LEGS 3,2mm LONG	
LTR.	REVISION RECORD		DR.	CHK.	DATE		
DR.:	J.v.d. HEIJDEN	CHK.:	M. GOSSELING	APP.:	M. GOSSELING	DWG.No.	REV.LTR.
DATE:	30-05-90	DATE:	27 APR 01	DATE:	27 APR 01	161390	S
							SHEET 1 OF 2
							A2

DO NOT SCALE
DIMENSIONS IN mm

METRIC

THIRD ANGLE
PROJECTION

PART NUMBER	NR. OF POS.	"A" REF.	"B" MAX.
9-161390-2	2	2,54	5,18
9-161390-3	3	5,08	7,72
9-161390-4	4	7,62	10,26
9-161390-5	5	10,16	12,80
9-161390-6	6	12,70	15,34
9-161390-7	7	15,24	17,88
9-161390-8	8	17,78	20,42
9-161390-9	9	20,32	22,96
9-161390-0	10	22,86	25,50



FINISH			MATERIAL			PARTNUMBER		
-	-	-	-	-	-	CUSTOMER DRAWING FOR REFERENCE ONLY WILL NOT BE UPDATED		
-	-	-	-	-	-	© COPYRIGHT 19- BY AMP HOLLAND B.V. ALL INTERNATIONAL RIGHTS RESERVED. AMP PRODUCTS MAY BE COVERED BY U.S. AND FOREIGN AND/OR PATENTS PENDING.		
-	-	-	-	-	-	THIS DRAWING IS UNPUBLISHED RELEASED FOR PUBLICATION		
-	-	-	-	-	-	AMP HOLLAND B.V. 's-Hertogenbosch, The Netherlands.		
-	-	-	-	-	-	NAME		
-	-	-	-	-	-	DIP SWITCH SOLDER LEGS 3,2 mm LONG.		
LTR.	REVISION RECORD	DR.	CHK.	DATE	DWG.No.	REV.LTR.	SHEET	A2
DR. : RvHEUVEN	CHK. : M. GOSSELINK	APP. : M. GOSSELINK	DATE : 27 APR 01	DATE : 27 APR 01	161390	5	2 OF 2	