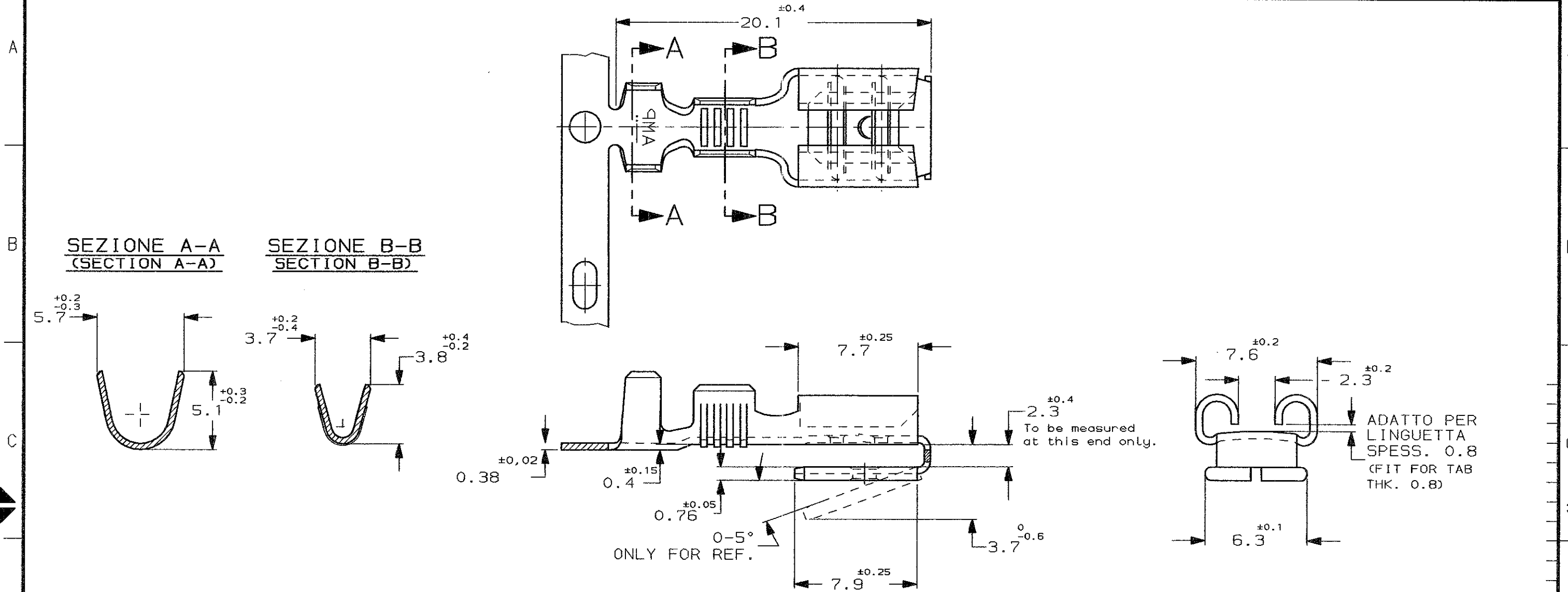


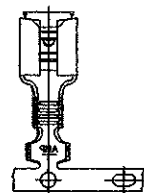
SCALA NON IMPEGNATIVA
(DO NOT SCALE)
DIMENSIONI IN mm
(DIMENSIONS IN mm)

METRIC



1) NON DISPONIBILE DA AMP ITALIA
(NOT AVAILABLE FROM AMP ITALY)

2) STATO DI FORNITURA
(SUPPLY CONDITION)



SENDO DI USCITA DEL TERMINALE
DALLA BOBINA
(DIRECTION OFF
TOP OF REEL)

3) SPECIFICA DI PRODOTTO 108-20019
(PRODUCT SPEC. 108-20019)

1	PRE STAGNATO (PRE TINNED)	OTTONE (BRASS)	0-160739-9
	PRE NICKELATO (PRE NICKEL PL.)	ACCIAIO (STEEL)	0-160739-6
	STAGNATO (TIN PLATED)	BRONZO FOSF. (PHOS. BRONZE)	0-160739-4
	STAGNATO (TIN PLATED)	OTTONE (BRASS)	0-160739-2
	NUDO (UNPLATED)	OTTONE (BRASS)	0-160739-1
NOTE	FINITURA / COLORE (FINISH / COLOUR)	MATERIALE (MATERIAL)	NUMERO (AMP P/N) REV

CUSTOMER DWG.
FOR REFERENCE ONLY

DISEGNO PER CLIENTE
SOLO PER RIFERIMENTO

THIS DRAWING IS UNPUBLISHED - RELEASE FOR PUBLICATION 19

© COPYRIGHT 19 BY AMP INCORPORATED, HARRISBURG, PA. ALL INTERNATIONAL RIGHT RESERVED. AMP PRODUCTS MAY BE COVERED BY U.S. AND FOREIGN PATENT AND/OR PATENT PENDING

TOLLERANZE, SE NON DIVERSAMENTE SPECIFICATO (TOLERANCES, UNLESS OTHERWISE SPECIFIED)	DIAM. ISOLANTE (INS. DIA. RANGE) mm	RANGO FILO (WIRE RANGE) mm2	SCALA (SCALE)
± 0.3	3.0-4.3	0.8-2.1	4:1

AMP AMP ITALIA S.p.A.
Corso F.lli Cervi, 15
COLLEGNO (TORINO)

DIS. H. YAALI (DR.) 05 MAY 2000	DESCRIZIONE (DESCRIPTION) FASTON* Connector, .250" sr. PIGGY-BACK REC. CTC.
CONT. C. TARTARI (CHK) 05 MAY 2000	LOC. SIZE NUMERO (APP.) (DWG NO)

REV. DATA (REV.) (DATE)	APP. DATA (APP.) (DATE)	LOC. SIZE NUMERO (APP.) (DWG NO)	REV. FOGLIO (SHEET)
		I A3 C-160739	AC111 DI 1

AC1	CORRECTING SKETCH ET00-0287-01	H.Y.	09 JAN 2002	ANGOLI (ANGLES)	± 2°
AC	CHANGED DIMENSIONS ET00-0197-00	H.Y.	22 DEC 2000		
AB2	ELIMINATED NOTE 1 ON -1 ET00-0178-00	H.Y.	16 JUN 2000		
AB1	CHANGED RAW MAT. FOR -6 ET00-0025-00	H.Y.	04 MAY 2000		
AB	OBSOLETE PARTS & REDRAWN ET00-0303-99	H.Y.	13 APR 2000		
REV.	REVISIONI (REVISION RECORD)	DIS. DATA (DR.) (DATE)	APP. DATA (APP.) (DATE)		

DISTRIBUZIONE
(PRINT DIST.)